

4

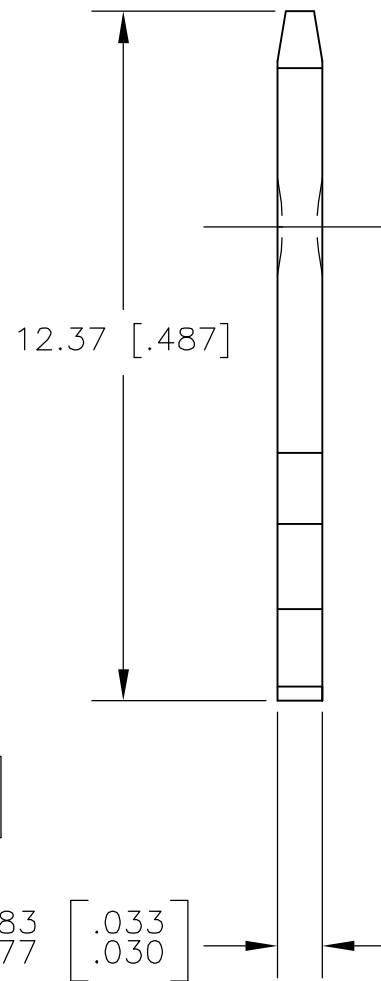
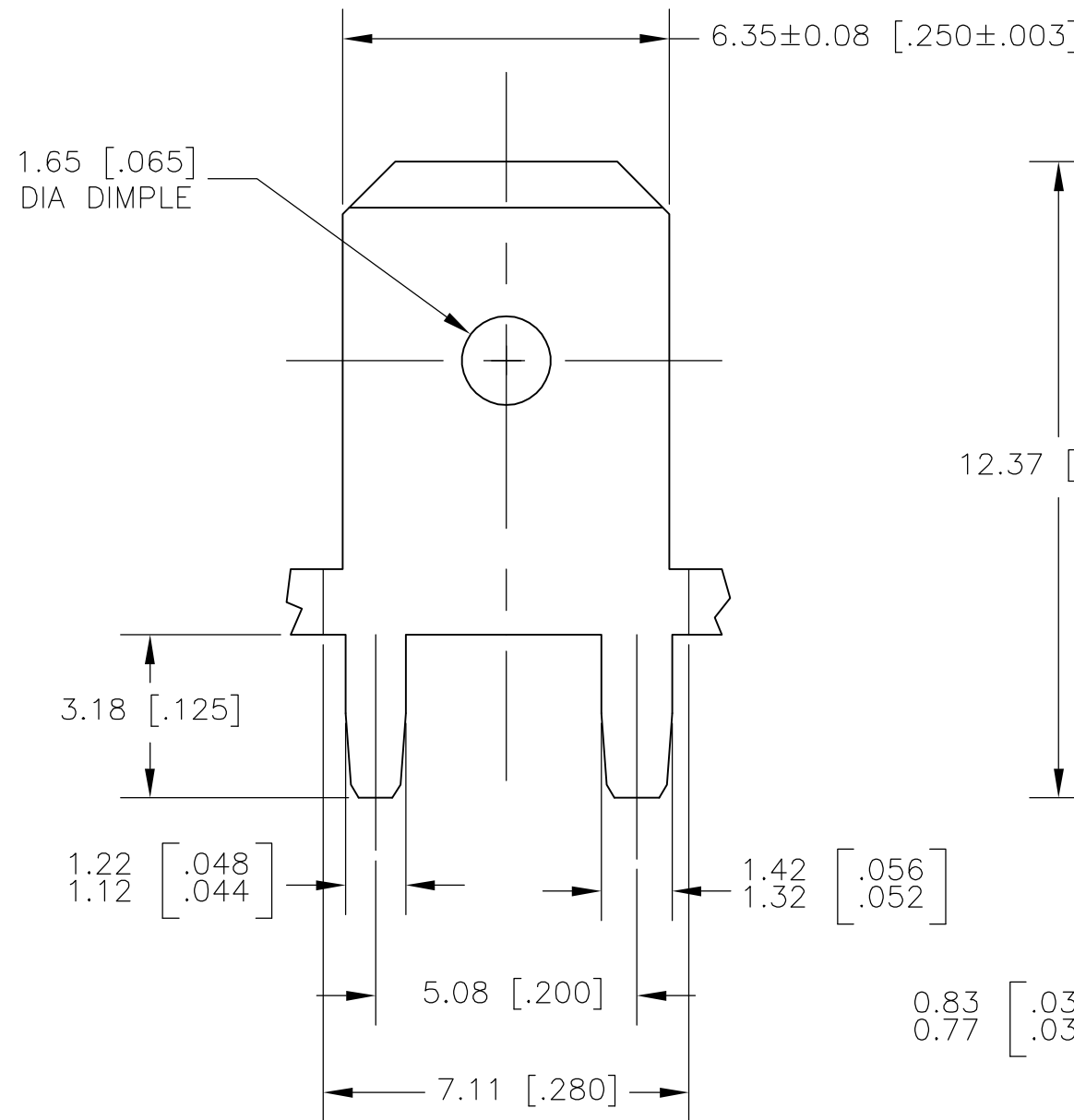
3

2

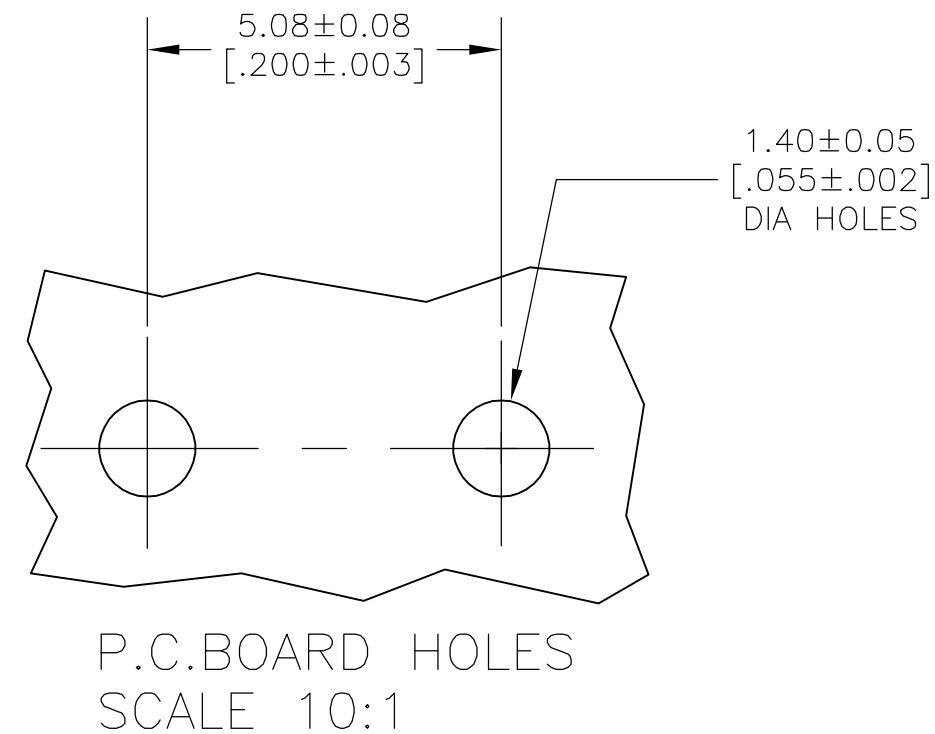
1

THIS DRAWING IS UNPUBLISHED. RELEASED FOR PUBLICATION --  
 © COPYRIGHT BY TYCO ELECTRONICS CORPORATION. ALL RIGHTS RESERVED.

| LOC | DIST | REVISIONS   |                       |         |        |
|-----|------|-------------|-----------------------|---------|--------|
| P   | LTR  | DESCRIPTION | DATE                  | DWN     | APVD   |
| AF  | 50   | H           | REV PER ECR-05-017407 | 14APR06 | HMR KR |



1 CONTINUOUS STRIP ON REELS.  
 △ 0.00381 [.000150] MIN TIN OVER  
 0.00254 [.000100] MIN THK COPPER.



62650-1  
 PART NUMBER

|   |                          |                           |   |                              |                    |
|---|--------------------------|---------------------------|---|------------------------------|--------------------|
| THIS DRAWING IS A CONTROLLED DOCUMENT.  |                          | DWN JR RUTH 30NOV00       | Tyco Electronics Corporation<br>Harrisburg, PA 17105-3608 |                              |                    |
| DIMENSIONS: mm [INCHES]   |                          | CHK MS FEHER 30NOV00      |   |                              |                    |
| TOLERANCES UNLESS OTHERWISE SPECIFIED:  |                          | APVD G PORTA 30NOV00      | NAME  |                              |                    |
| 0 PLC ± -<br>1 PLC ± -<br>2 PLC ± 0.38 [.015]<br>3 PLC ± -<br>4 PLC ± -<br>ANGLES ± - |                          | PRODUCT SPEC              | TAB, FASTON, PC BOARD, 6.35 [.250] SERIES                 |                              |                    |
| MATERIAL 082 BRASS  | FINISH TIN OVER COPPER △ | APPLICATION SPEC 114-2112 | SIZE A3   | CAGE CODE 00779              | DRAWING NO C-62650 |
| CUSTOMER DRAWING  |                          |                           | RESTRICTED TO   | SCALE 8:1 SHEET 1 OF 1 REV H |                    |