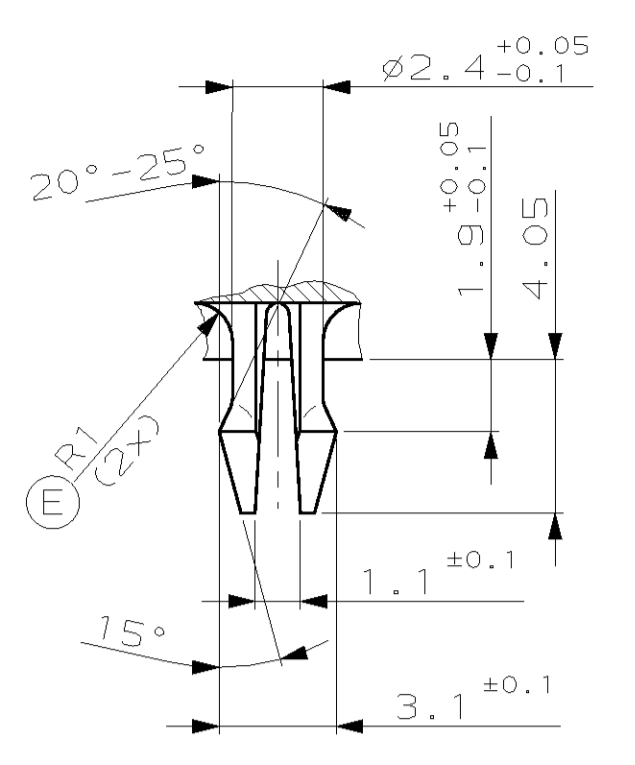
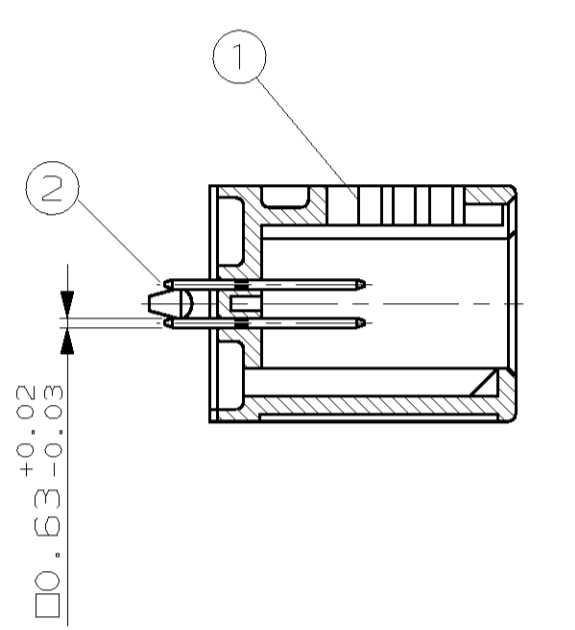


| REV. NO. | DATE | DESCRIPTION | BY | CHK | APPROV. |
|----------|-----------|-------------|----|-----|---------|
| 1 | 13-MAY-97 | DD | | | |
| 2 | 01-APR-98 | DD | | | |
| 3 | 11-APR-00 | KS | | | |
| 4 | 09-MAY-00 | KS | | | |
| 5 | 25-JAN-05 | GF | | | |

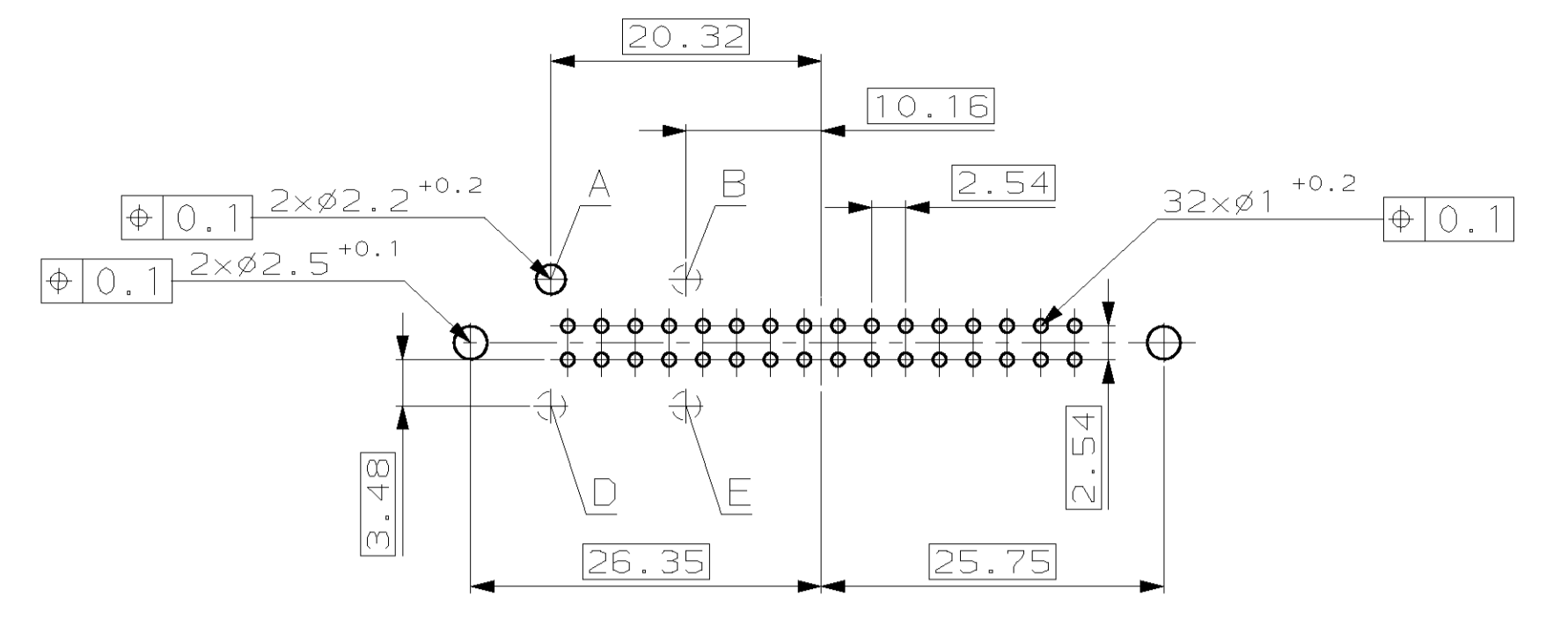
Einzelheit "Y" M 5:1



Schnitt B-B

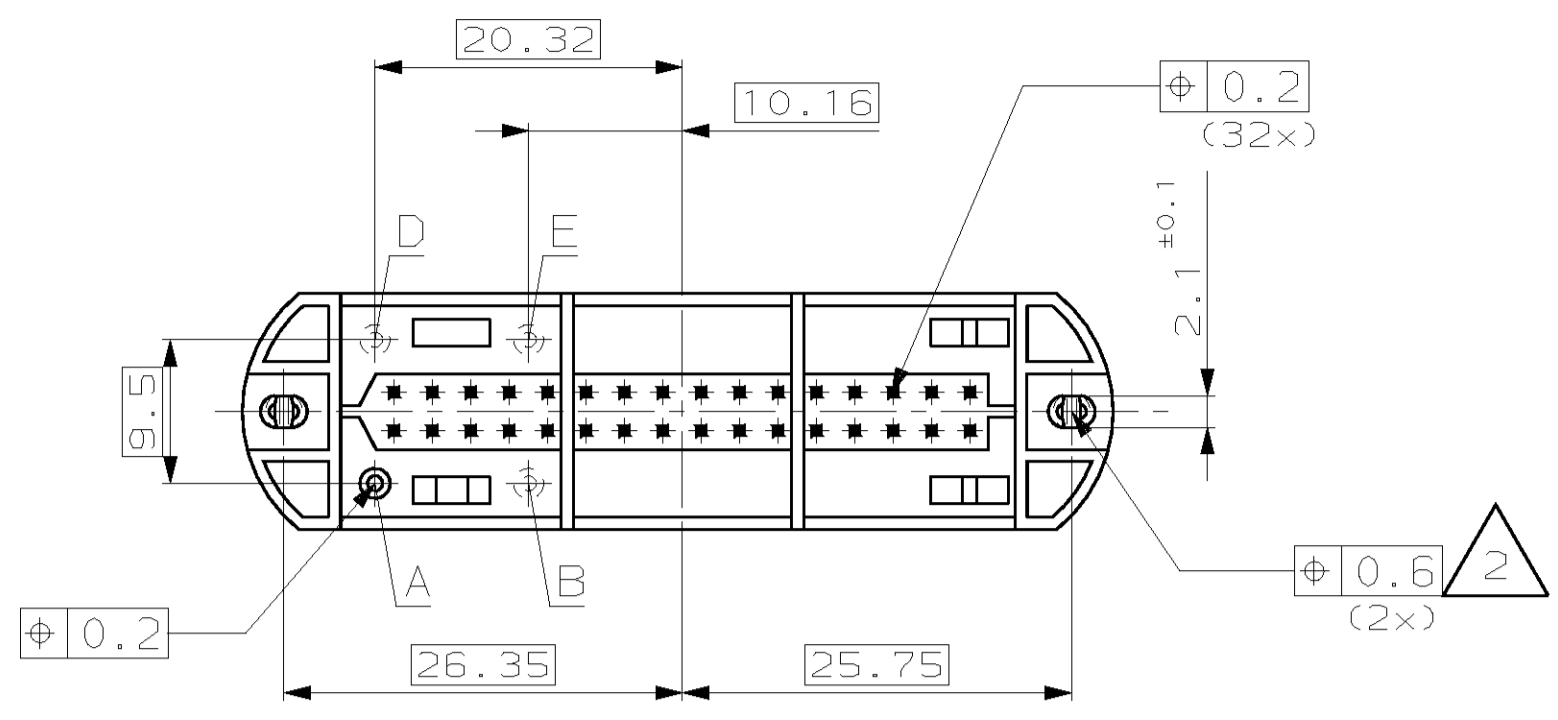


Empfohlenes Leiterplatten Bohrbild

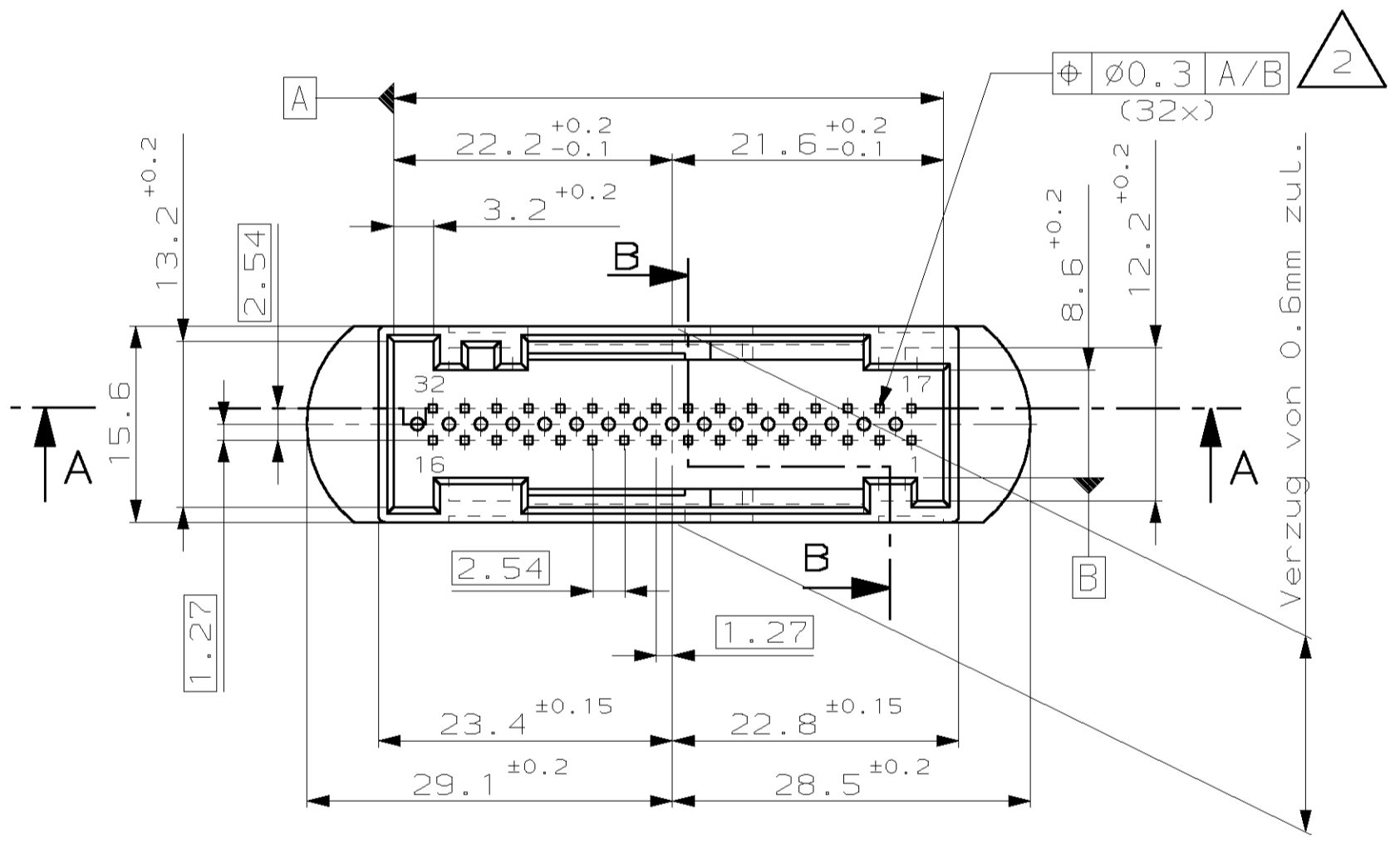
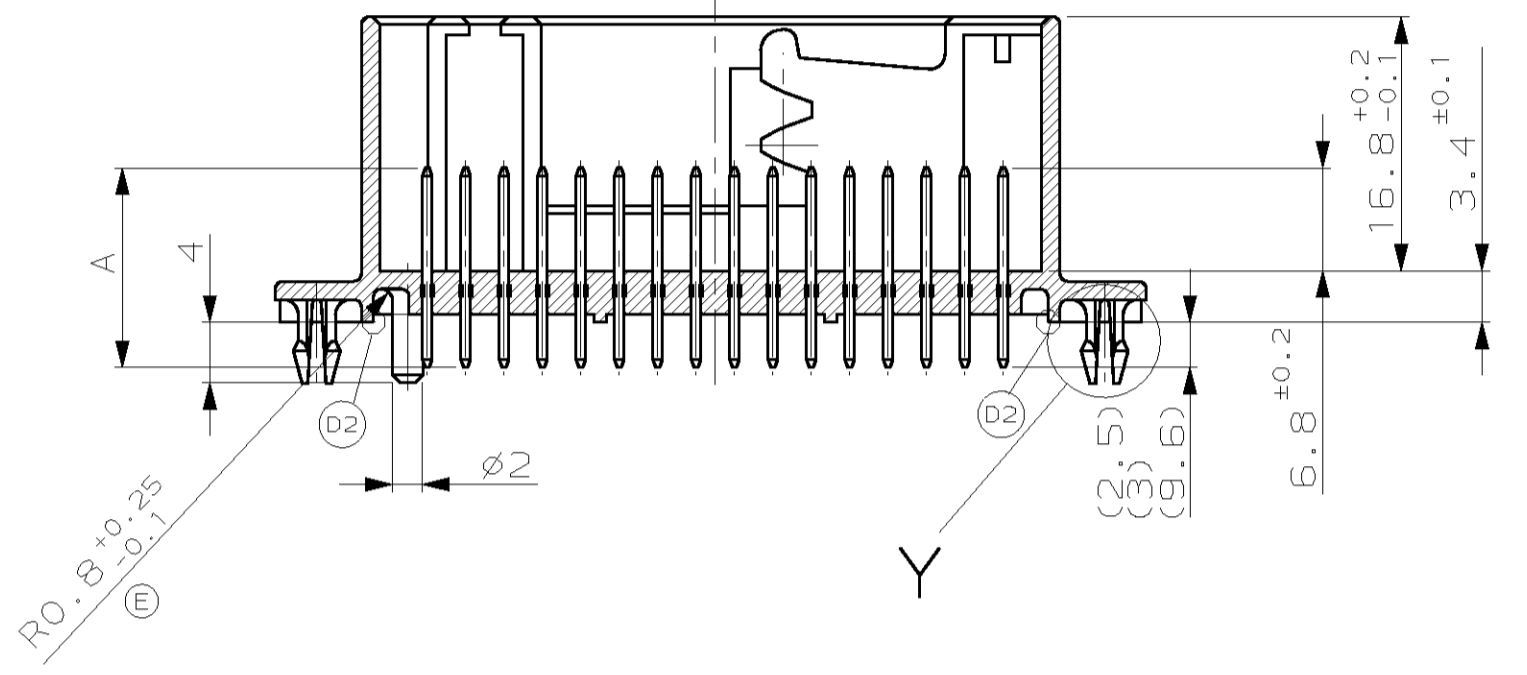


- 1 Ausführung der Leiterplattenkodierung und der Kodiernuten, siehe Tabelle
- 2 Form- und Lagetoleranz; "Position" gilt nur für die entsprechenden Spitzen
- 3 Einwegverpackung: Produktträger in Karton
- 4 Kontaktbereich min. 0.8µm vergoldet
Lötbereich min. 2.5µm verzinkt
- 5 Mehrwegverpackung HELLA: Produktträger in Hella E1-Behälter MF 6320
- 6 Mehrwegverpackung Bosch: Produktträger in Bosch-Behälter 6000 515 033
- 7 Mehrwegverpackung VDO: Produktträger in VDO-Behälter MF 6170

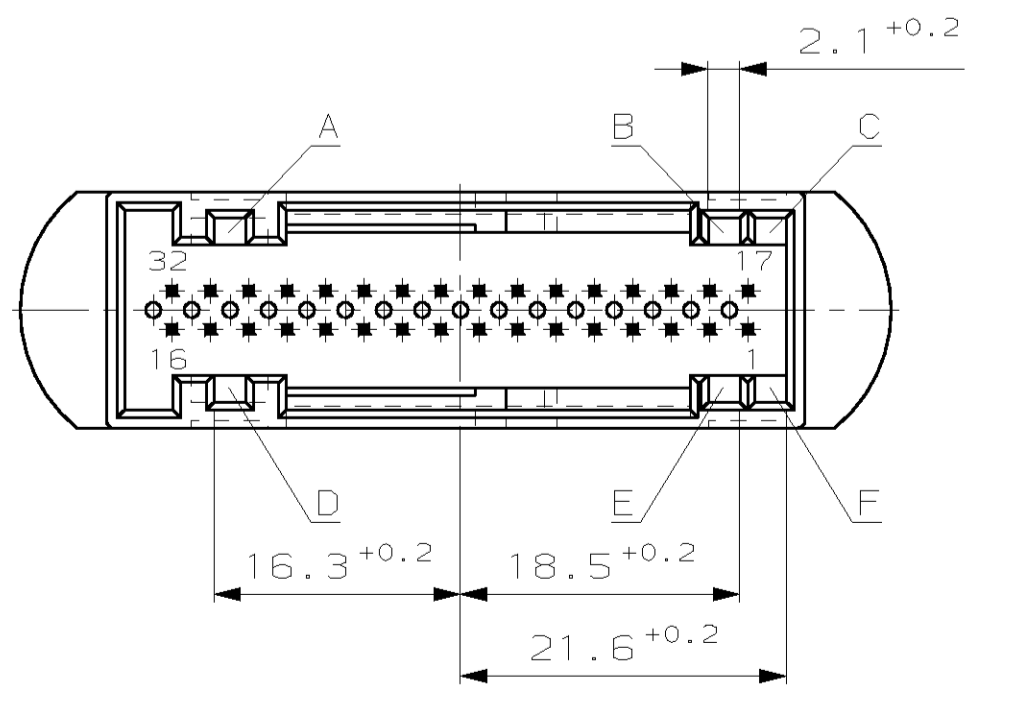
Kodierung A-F gezeichnet



Schnitt A-A



Ansicht "X" alle Kodierungen dargestellt



| Rev. | DIM A | Stack-platten-seite | Kodierung | Leiter-platten-seite | Verpackung |
|------|-------|---------------------|-----------|----------------------|------------|
| E | 20.3 | ABC | DEF | - | Einweg 3 |
| A | 13.2 | C-D | D | D | VDO 7 |
| A | 13.2 | C-D | D | D | VDO 7 |
| A | 13.2 | A-F | A | A | VDO 7 |
| E | 12.7 | A,C,E | E | E | VDO 7 |
| E | 12.7 | C-D | D | D | VDO 7 |
| E | 12.7 | A-F | A | A | VDO 7 |
| E | 13.2 | A,C,E | E | E | Bosch 6 |
| E | 13.2 | C-D | D | D | Bosch 6 |
| E | 13.2 | A-F | A | A | Bosch 6 |
| E | 13.2 | A,C,E | E | E | HELLA 5 |
| E | 13.2 | C-D | D | D | HELLA 5 |
| E | 13.2 | A-F | A | A | HELLA 5 |
| A | 13.2 | C-D | D | D | Einweg 3 |
| A | 13.2 | A-F | A | A | Einweg 3 |
| A | 13.2 | A,C,E | E | E | Einweg 3 |
| A | 13.2 | C-D | D | D | Einweg 3 |
| A | 13.2 | A-F | A | A | Einweg 3 |
| E | 12.7 | A,C,E | E | E | Einweg 3 |
| E | 12.7 | C-D | D | D | Einweg 3 |
| E | 12.7 | A-F | A | A | Einweg 3 |
| E | 13.2 | A,C,E | E | E | Einweg 3 |
| E | 13.2 | C-D | D | D | Einweg 3 |
| E | 13.2 | A-F | A | A | Einweg 3 |

| B | 97 | 1 | 5 | 7 | 4 | 7 | 3 | 7 | 1 | 5 | 3 | 5 | 1 | 2 | 3 | 2 | 2 | 1 | 3 | 2 | 1 | 1 | 3 | 2 | 1 | 1 | 1 | 1 | 1 | 1 | 1 | 1 | 1 |
|------|-------|-----------|----------------------------|------|-----------|------------|---------------|---|---|---|---|---|---|---|---|---|---|---|---|---|---|---|---|---|---|---|---|---|---|---|---|---|---|
| POS. | STÜCK | BENENNUNG | EINZELTEIL | Rev. | WERKSTOFF | OBERFLÄCHE | FARBE/RAL Nr. | | | | | | | | | | | | | | | | | | | | | | | | | | |
| | 2 | 32 | AMPMODU MODU II Stift 0.63 | H | CuSn6 | | | | | | | | | | | | | | | | | | | | | | | | | | | | |
| | X | X | X | X | X | X | X | X | X | X | X | X | X | X | X | X | X | X | X | X | X | X | X | X | X | X | X | X | X | X | X | X | X |
| | 1 | 1 | 32pol.Stiftwanne | E | PBT-GF | blau | 5010 | | | | | | | | | | | | | | | | | | | | | | | | | | |
| | 1 | 1 | 32pol.Stiftwanne | E | PBT-GF | grün | 6016 | | | | | | | | | | | | | | | | | | | | | | | | | | |
| | 1 | 1 | 32pol.Stiftwanne | A | SPS-GF | grau | 7036 | | | | | | | | | | | | | | | | | | | | | | | | | | |
| | 1 | 1 | 32pol.Stiftwanne | A | SPS-GF | blau | 5012 | | | | | | | | | | | | | | | | | | | | | | | | | | |
| | 1 | 1 | 32pol.Stiftwanne | A | SPS-GF | grün | 6018 | | | | | | | | | | | | | | | | | | | | | | | | | | |
| | 1 | 1 | 32pol.Stiftwanne | E | PBT-GF | grau | 7036 | | | | | | | | | | | | | | | | | | | | | | | | | | |
| | 1 | 1 | 32pol.Stiftwanne | E | PBT-GF | violett | 4006 | | | | | | | | | | | | | | | | | | | | | | | | | | |
| | 1 | 1 | 32pol.Stiftwanne | E | PBT-GF | blau | 5012 | | | | | | | | | | | | | | | | | | | | | | | | | | |
| | 1 | 1 | 32pol.Stiftwanne | E | PBT-GF | grün | 6018 | | | | | | | | | | | | | | | | | | | | | | | | | | |

| | | |
|---|--|---|
| <p>THIS DRAWING IS UNPUBLISHED, UNLESS INDICATED OTHERWISE. VERTRÄULICHE UNVERÖFFENTLICHTE ZEICHNUNG, UNLESS INDICATED OTHERWISE. RELEASED FOR PUBLICATION PERMITTED BY AMP INCORPORATED. ALL RIGHTS RESERVED. FÜR DEN VERKEHR GEEIGNET.</p> | <p>DATE: 29-AUG-99 C. Sellien DATE: 14-FEB-99 B. Kirsch</p> | <p>AMP tyco Electronics AMP GmbH D - 64625 Bensheim</p> |
| <p>DIMENSIONS: mm TOLERANCES UNLESS OTHERWISE SPECIFIED: ALL DIMENSIONS</p> | <p>UNLESS OTHERWISE SPECIFIED: ALL DIMENSIONS</p> | <p>AMPMODU MODU II Stiftleiste, ASSY, 2x16pol.</p> |
| <p>MATERIAL: -</p> | <p>FINISH/OBERFLÄCHE/FARBE: -</p> | <p>SIZE: A1 CAGE CODE: 00779 DRAWING NO.: 96658</p> |
| <p>REV. 1</p> | <p>REV. 2</p> | <p>RESTRICTED TO NEW FIBER</p> |