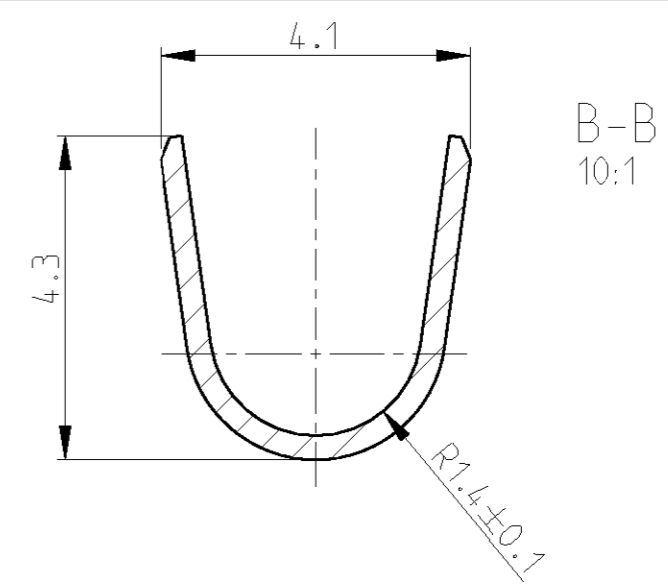
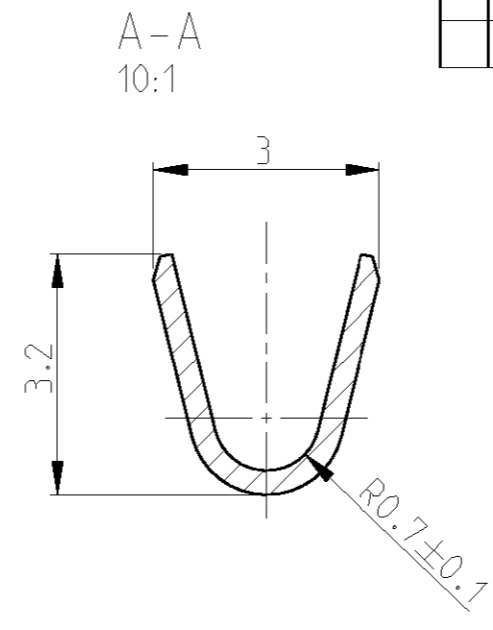
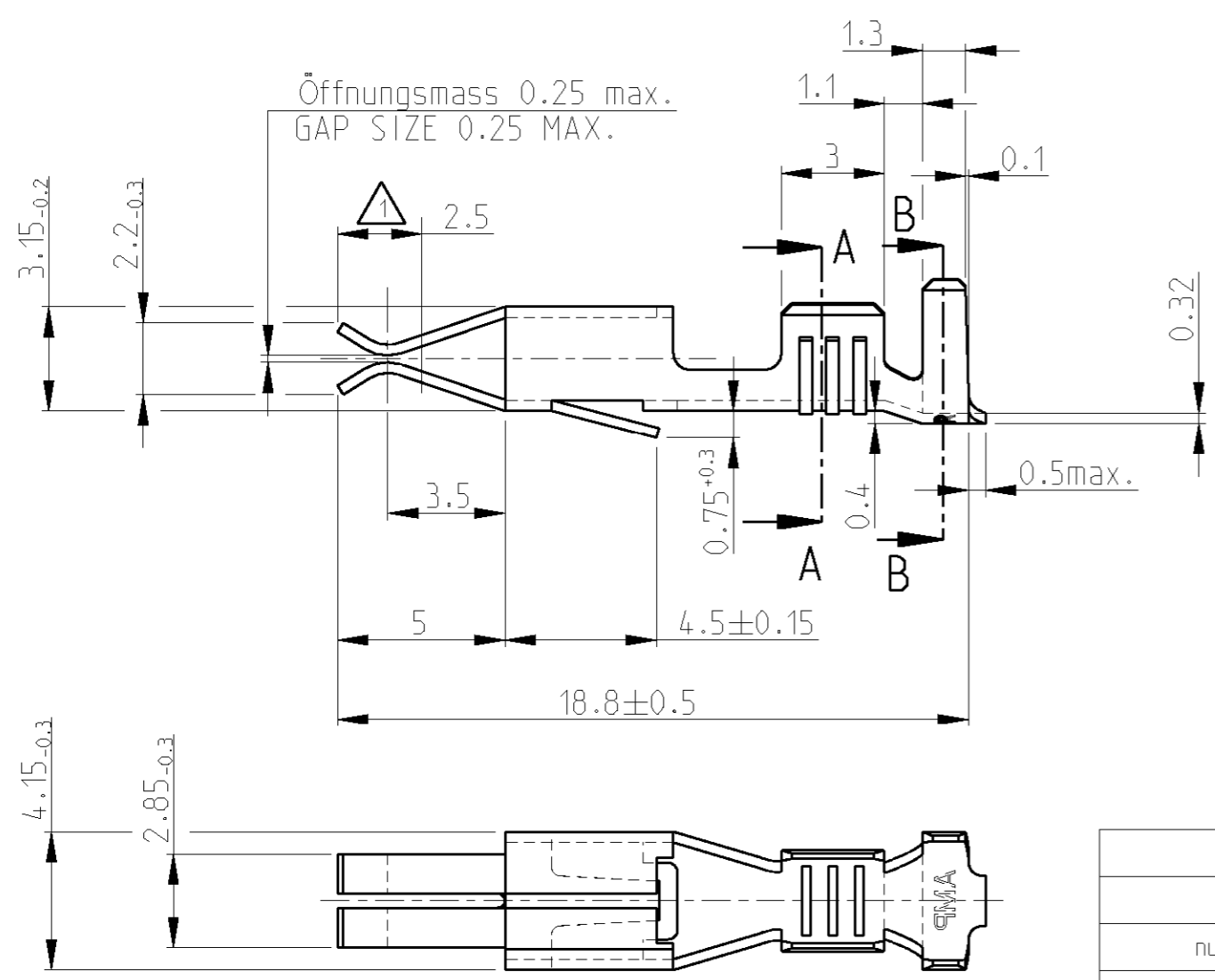


THIS DRAWING IS UNPUBLISHED. RELEASED FOR PUBLICATION 2005  
 © COPYRIGHT 2005 BY TYCO ELECTRONICS CORPORATION. ALL RIGHTS RESERVED.

LOC	DIST	REVISIONS				
P	LTR	DESCRIPTION	DATE	DWN	APVD	
A1	-	Y	NEW CAD DRAWING CREATED	19SEP2005	Abr	Bru



Leitung / WIRE : FLK-Leitng / FLK-WIRE  
 Leiter / WIRE : F-Crimp  
 Isolation : F-Crimp

Drahtgrößenbereich 0.5-1.5 mm<sup>2</sup>  
 WIRE RANGE 0.5-1.5 mm<sup>2</sup>  
 Isolationsbereich Ø2.0-3.0 mm  
 INSULATION RANGE Ø2.0-3.0 mm

Einzel- anschlag SINGLE CONNECTION	Leitungsquerschnitt in mm <sup>2</sup> CROSS - SECTION IN mm <sup>2</sup>								
	0.50	0.75	1.00	1.50	2.00	2.50	3.00	4.00	6.00
0.50	X	X							
0.75	X								
1.00	X								
1.50	X								
2.00									
2.50									
3.00									

SPLICE FREE	1-925596-1	CuSn4	vorverzinkt/PRETINED	1-925590-1	Y
	1-925596-0	CuNi	blank/PLAIN	1-925590-0	Y
nur für/ONLY FOR TYCO GB	925596-9	CuSn4	vorverzinkt/PRETINED	925590-9	Y
nur für/ONLY FOR TYCO Brasilien/BRASIL	925596-8	CuSn4	verzinkt/ELECTRO TIN	925590-8	Y
	925596-6	CuSn4	versilbert/SILVER PLATED $\Delta$	925590-6	Y
	925596-5	CuSn4	blank/PLAIN	925590-5	Y
	925596-4	CuZn30	vorversilbert/PRESILVER	925590-4	Y
	925596-3	CuSn4	vergoldet/GOLD PLATED $\Delta$	925590-3	Y
	925596-2	CuSn4	vorverzinkt/PRETINED	925590-2	Y
	925596-1	CuZn30	vorverzinkt/PRETINED	925590-1	Y
Bemerkungen/NOTES	LOOSE PIECE	MATERIAL	SURFACE COLOR	PART NO	REV

THIS DRAWING IS A CONTROLLED DOCUMENT FOR TYCO ELECTRONICS CORPORATION IT IS SUBJECT TO CHANGE AND THE CONTROLLING ENGINEERING ORGANIZATION SHOULD BE CONTACTED FOR THE LATEST REVISION.

DWN 19SEP2005 Abraham.G.  
 CHK 20SEP2005 Brunner.M.  
 APVD -

**tyco Electronics** tyco Electronics AMP GmbH  
 D - 64625 Bensheim

NAME Junior-Timer-Kontakt  
 JUNIOR-TIMER-CONTACT

PRODUCT SPEC 108-18053  
 APPLICATION SPEC 114-18079  
 WEIGHT 0.35 g

SIZE A3 CAGE CODE 00779 DRAWING NO 925590 RESTRICTED TO -

CUSTOMER DRAWING SCALE 5:1 SHEET 1 OF 1 REV Y