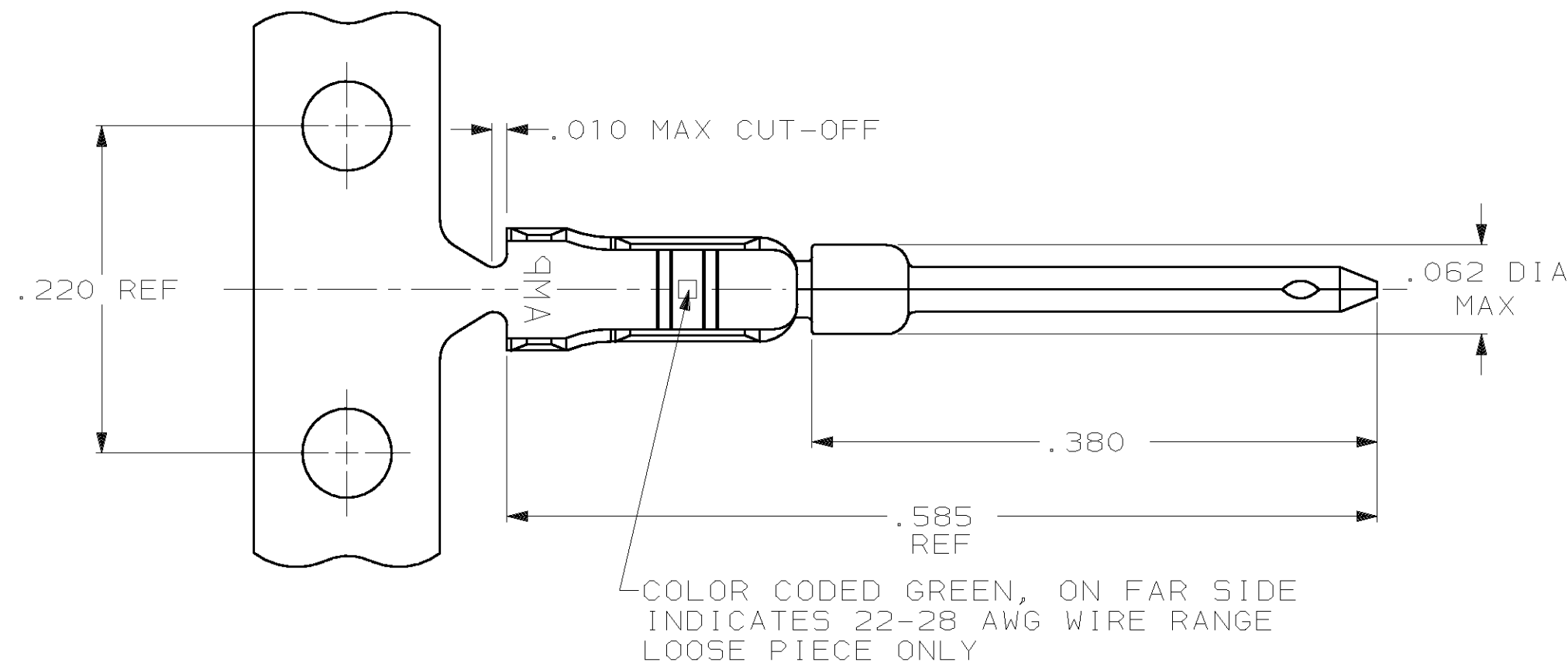
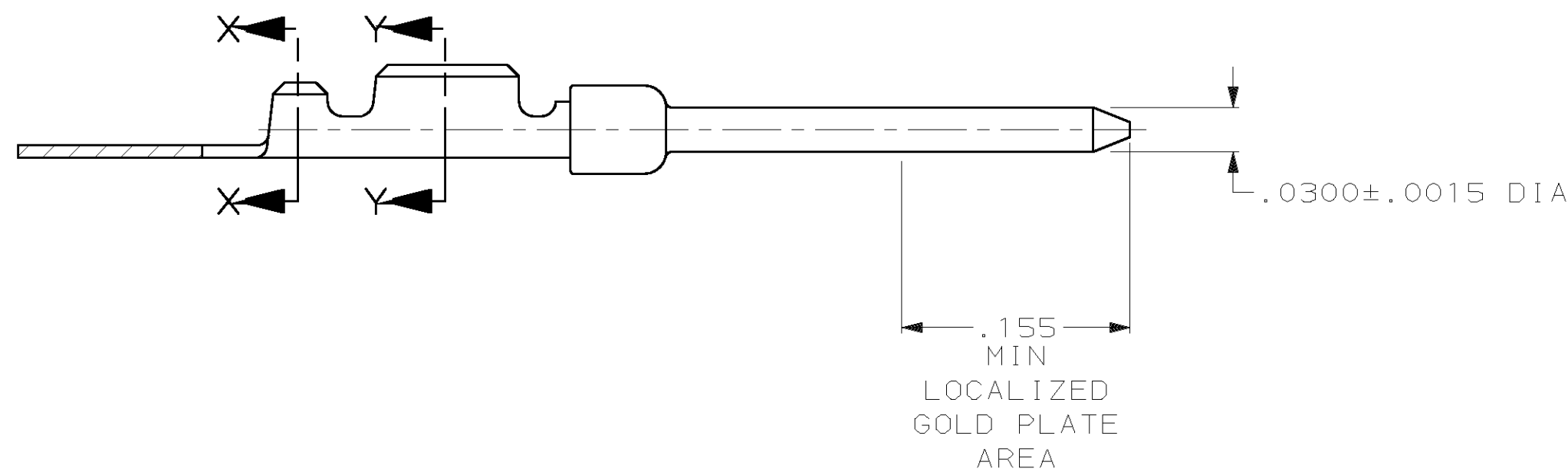


THIS DRAWING IS UNPUBLISHED. RELEASED FOR PUBLICATION, 19  
 © COPYRIGHT 19 BY AMP INCORPORATED, HARRISBURG, PA. ALL INTERNATIONAL RIGHTS RESERVED. AMP PRODUCTS MAY BE COVERED BY U.S. AND FOREIGN PATENTS AND/OR PATENTS PENDING.

LOC	DIST	P	F	ZONE	LTR	DESCRIPTION	DATE	APPD
BD	48				H	REV PER EC 0U1D-58-99	14SEPT99	JK
					J	REV PER EC 0U1D-0226-00	30AUG01	JR

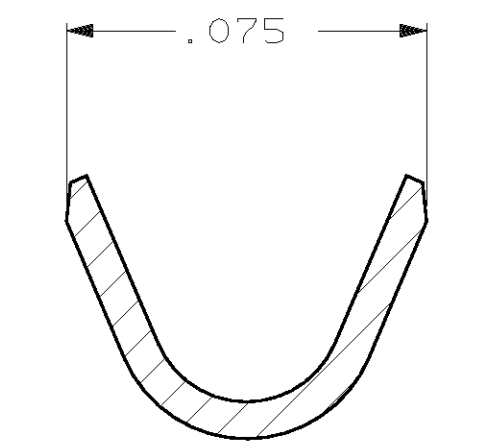


- 1 FOR MINI APPLICATOR.
- 2 FOR HAND TOOL USE ONLY.
- 3. WIRE RANGE OF 22-28, INSULATION RANGE OF .030-.040.
- 4 GOLD PLATING PER MIL-G-45204, NICKEL PLATING PER QQ-N-290, TIN PLATING PER MIL-T-10727.
- 5 GOLD PLATED IN LOCALIZED GOLD PLATED AREA, 000030 MIN GOLD IN MATED AREA, .000100 MIN TIN IN WIRE & INSULATION BARRELS, BOTH OVER .000050 MIN NICKEL.
- 6 GOLD FLASH IN LOCALIZED GOLD PLATE AREA, .000100 MIN TIN IN WIRE & INSULATION BARRELS, BOTH OVER .000030 MIN NICKEL.
- 7 .000050 MIN GOLD OVER .000050 MIN NICKEL ON ENTIRE CONTACT.
- 8 GOLD PLATED IN LOCALIZED GOLD PLATED AREA, 000015 MIN GOLD IN MATED AREA, .000100 MIN TIN IN WIRE & INSULATION BARRELS, BOTH OVER .000050 MIN NICKEL.
- 9 GOLD PLATING ON THE CARRIER STRIP IS NOT REQUIRED.

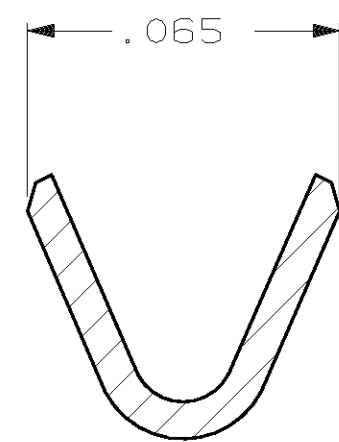


SUPERSEDED BY 748333-2

OBSOLETE AMP BRAZIL USE ONLY



SECTION X-X  
INSULATION BARREL  
SCALE 25:1



SECTION Y-Y  
WIRE BARREL  
SCALE 25:1

STANDARD	FINISH	USE	TYPE	PART NUMBER
STANDARD	8 9	1	STRIP	1-748333-5
SMALL PACK	5	2	LOOSE PIECE	1-748333-4
STANDARD	7 9	1	STRIP	748333-9
STANDARD	-	1	STRIP	748333-8
STANDARD	6	2	LOOSE PIECE	748333-7
STANDARD	6	1	STRIP	748333-5
STANDARD	5	2	LOOSE PIECE	748333-4
STANDARD	5	1	STRIP	748333-2

UNLESS OTHERWISE SPECIFIED DIMENSIONS ARE IN INCHES TOLERANCES ON : 2 PL DEC ± - 3 PL DEC ± .005 ANGLES ± -	DR 09/25/86 C.RICHARD	AMP INCORPORATED Harrisburg, Pa. 17105		
	CHK 09/26/86 S.WELDON			
MATERIAL BRASS PER MIL-C-50	APPD 09/26/86 L.BREKOSKY	NAME PIN CONTACT, SIZE 22 DF, 22-28 AWG, W/.030-.040 DIA INSULATION SUPPORT		
	APPD 09/26/86 V.KUMAR			
FINISH 4 SEE TABLE	PRODUCT SPEC -	SIZE C	FSCM NO 00779	DRAWING NO 748333
	APPLICATION SPEC -	SCALE 10:1	SHEET 1 OF 1	
WEIGHT -				