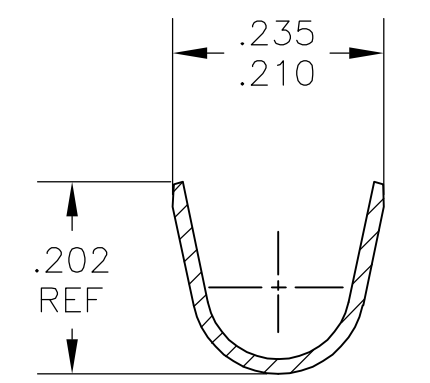
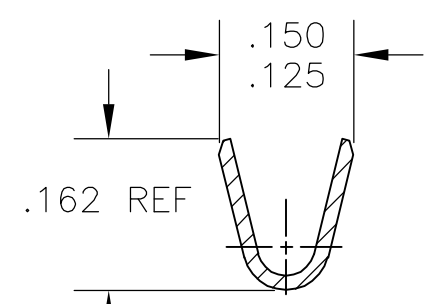
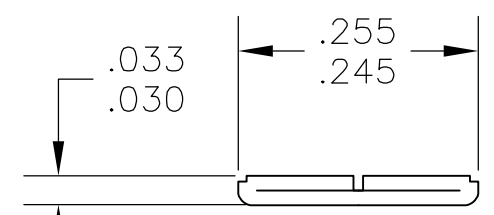
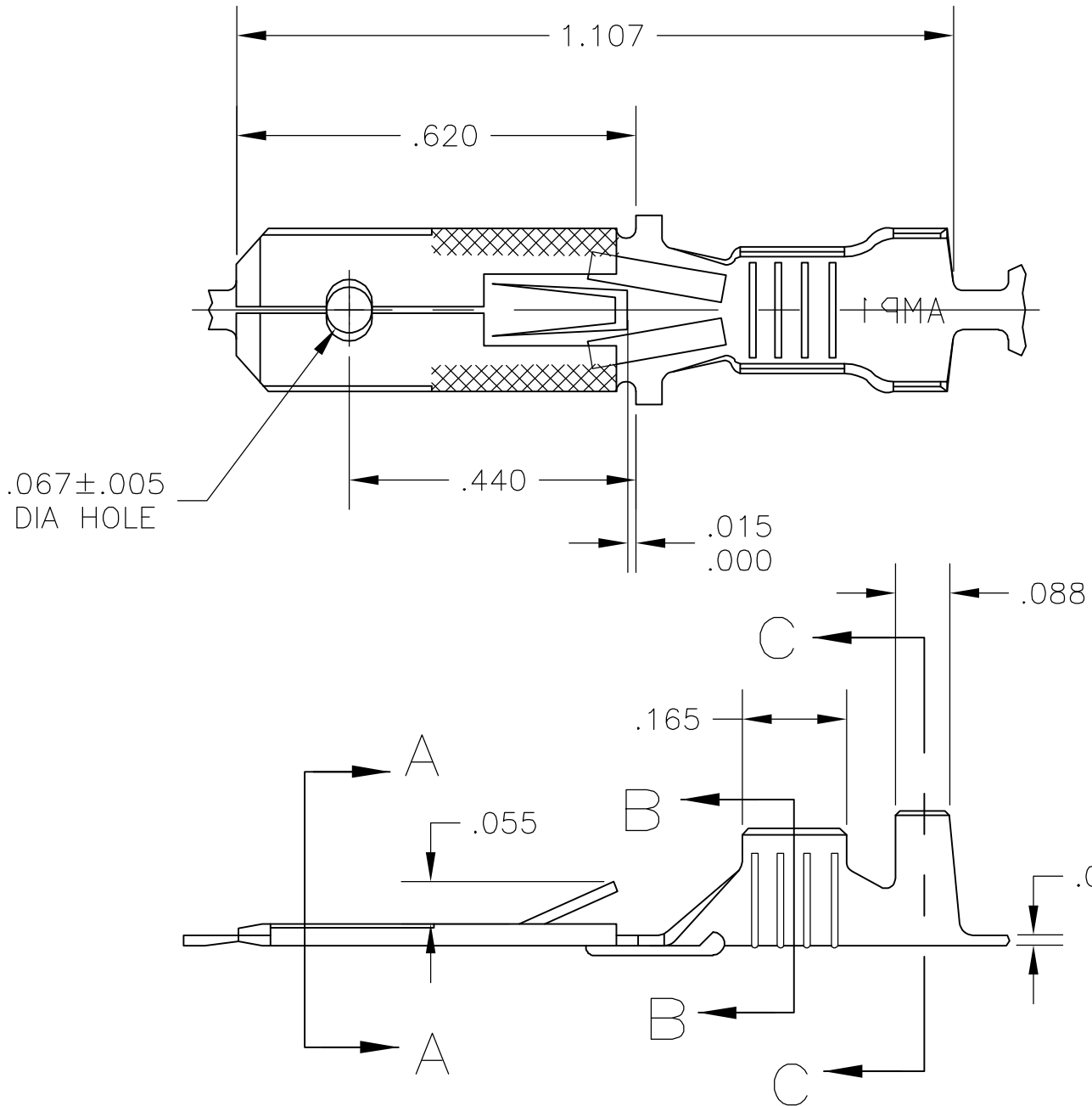


THIS DRAWING IS UNPUBLISHED. RELEASED FOR PUBLICATION
 © COPYRIGHT BY TYCO ELECTRONICS CORPORATION. ALL RIGHTS RESERVED.

LOC	DIST	REVISIONS					
AF	50	P	LTR	DESCRIPTION	DATE	DWN	APVD
		AA1		REV PER ECR 06-000327	17APR06	JR	KR

- 1 CONTINUOUS STRIP ON REELS.
- 2 WIRE SIZE IS #18-#14.
- 3 INSULATION RANGE IS .100-.170 DIA.



OBSOLETE	SILVER .000120 MIN	#2H BRASS	42460-7
	-	#2H PHOS BRZ	42460-6
OBSOLETE	PRE-TIN	#2H BRASS	42460-5
	TIN .000080 MIN	#2H PHOS BRZ	42460-4
	SILVER .000120 MIN	#2H BRASS	42460-3
	TIN .000080 MIN		42460-2
-		42460-1	
	FINISH	MATERIAL	PART NO

THIS DRAWING IS A CONTROLLED DOCUMENT.		DWN	JR RUTH	9/17/90	 Tyco Electronics Corporation Harrisburg, PA 17105
DIMENSIONS: INCHES		CHK	MS FEHER	9/17/90	
		APVD	R KUZO	9/17/90	
TOLERANCES UNLESS OTHERWISE SPECIFIED:		PRODUCT SPEC		NAME	
0 PLC ± -		-		TAB, FASTIN-FASTON, .250 SERIES	
1 PLC ± -		-		SIZE	
2 PLC ± -		-		CAGE CODE	
3 PLC ± .015		-		DRAWING NO	
4 PLC ± -		-		RESTRICTED TO	
ANGLES ± -		-		A3 00779 C-42460	
MATERIAL SEE TABLE		FINISH SEE TABLE		WEIGHT -	
		CUSTOMER DRAWING		SCALE 4:1	
				SHEET 1 OF 1	
				REV AA1	