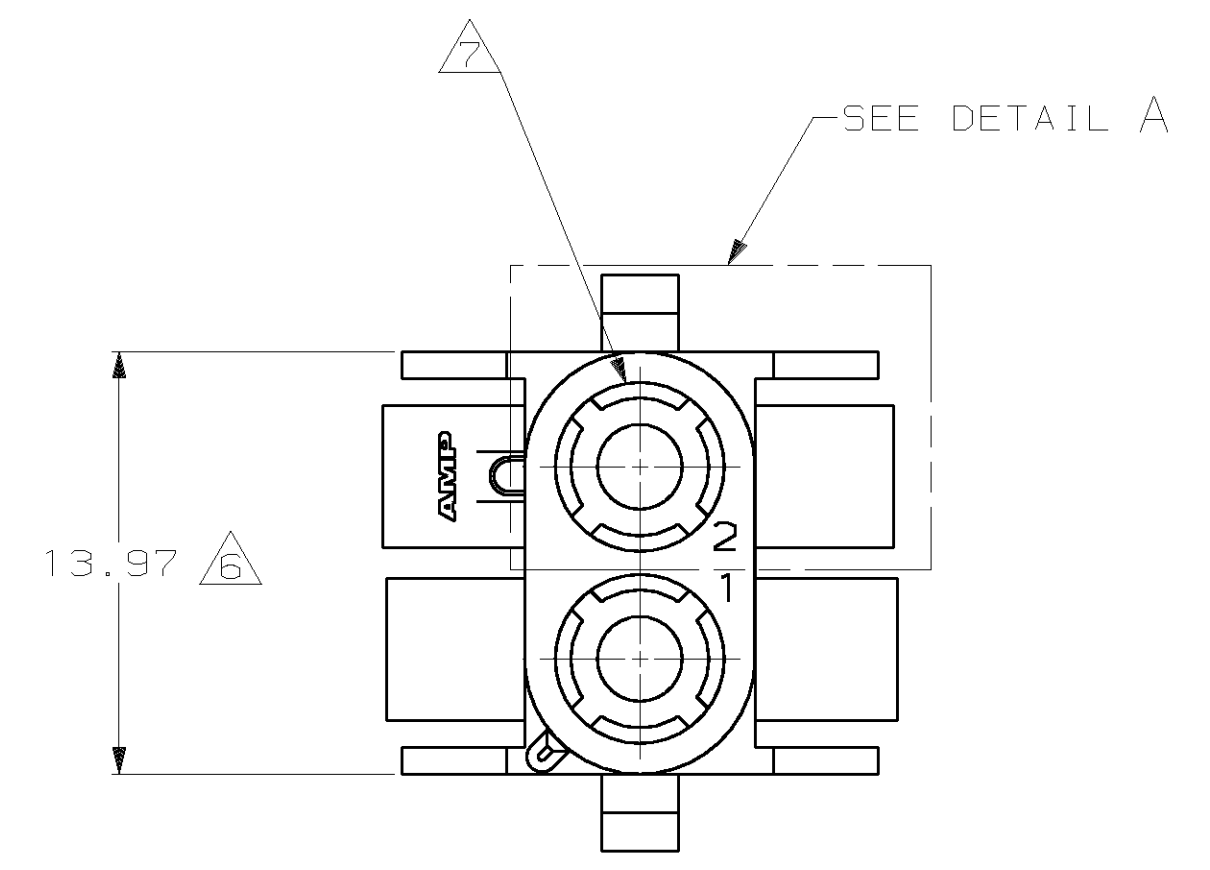
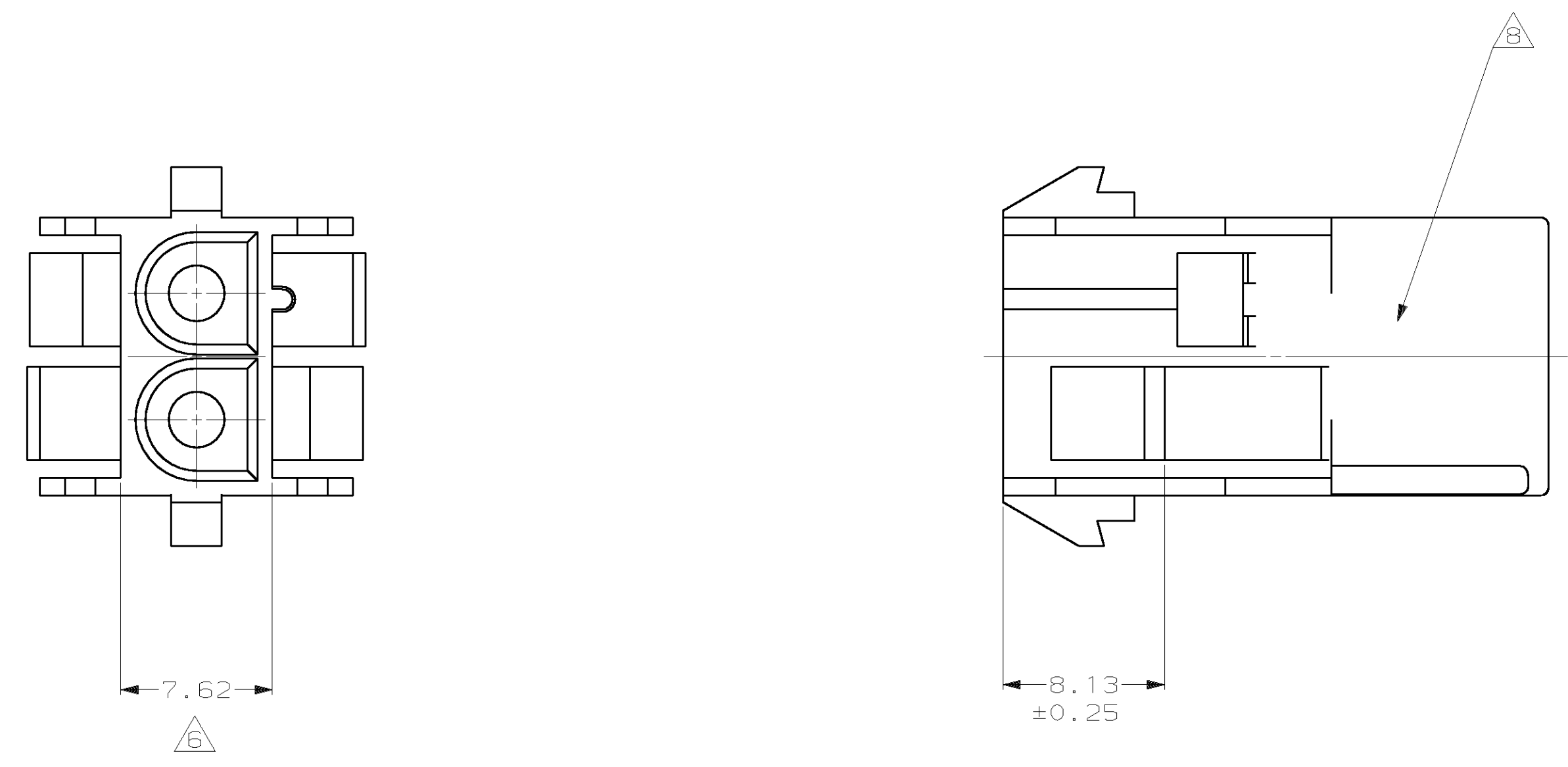
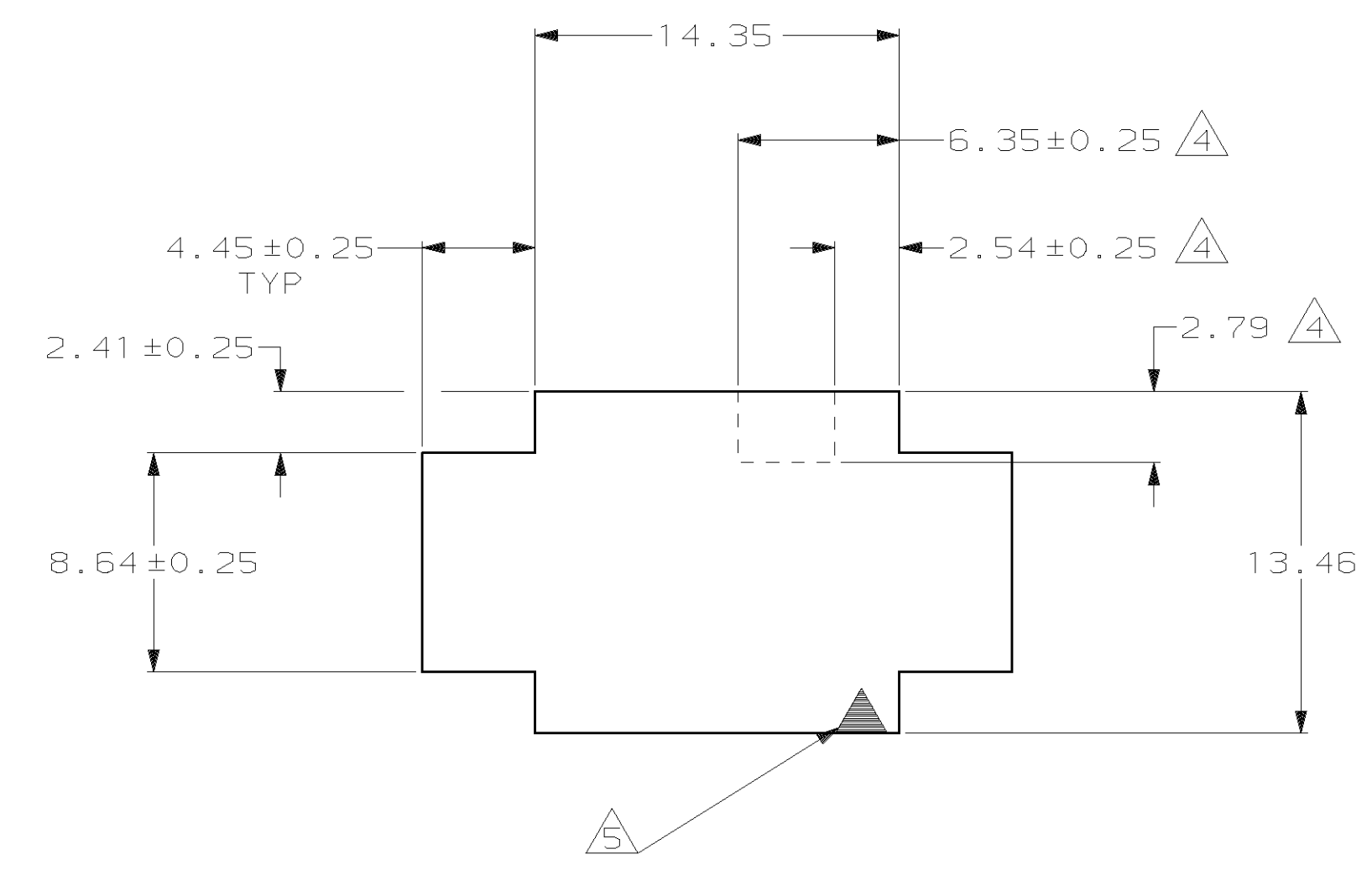
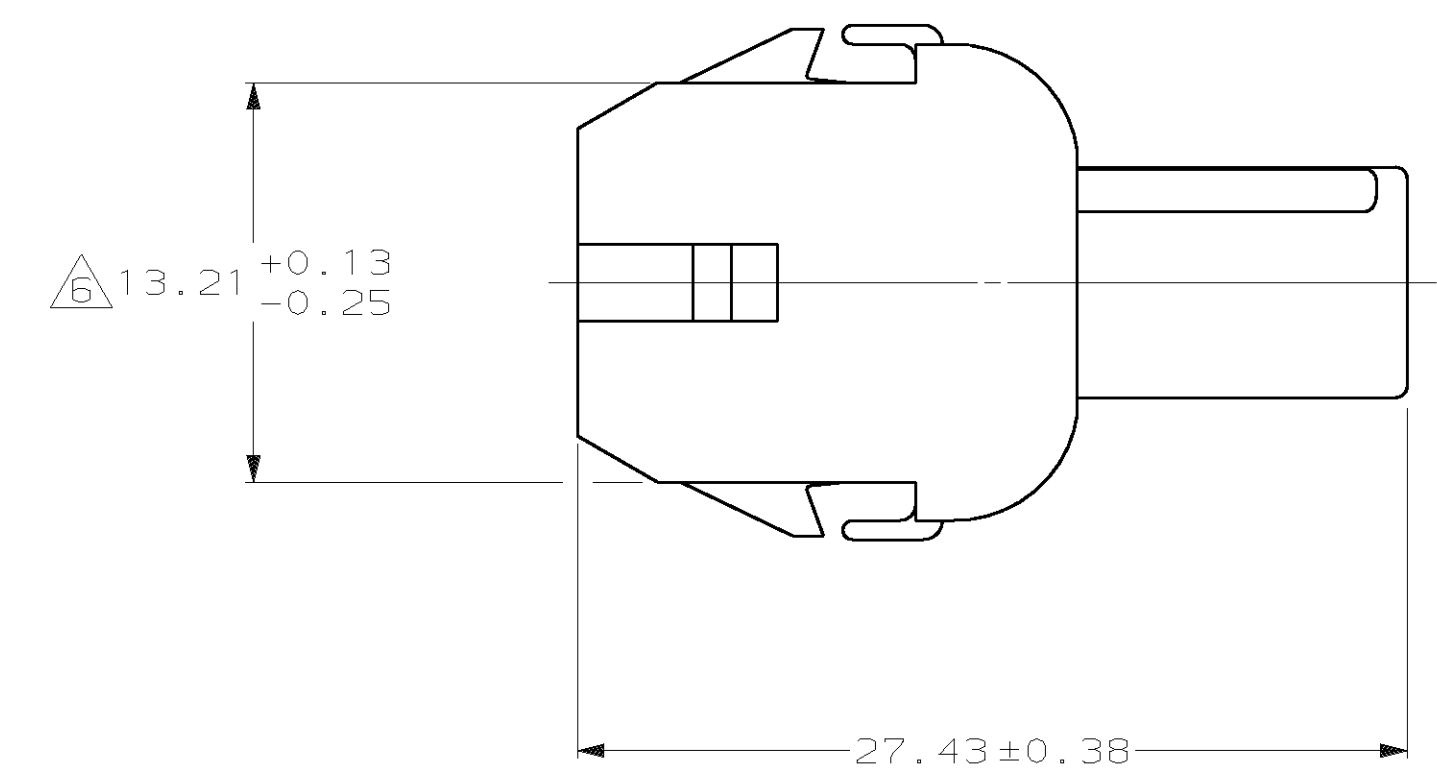
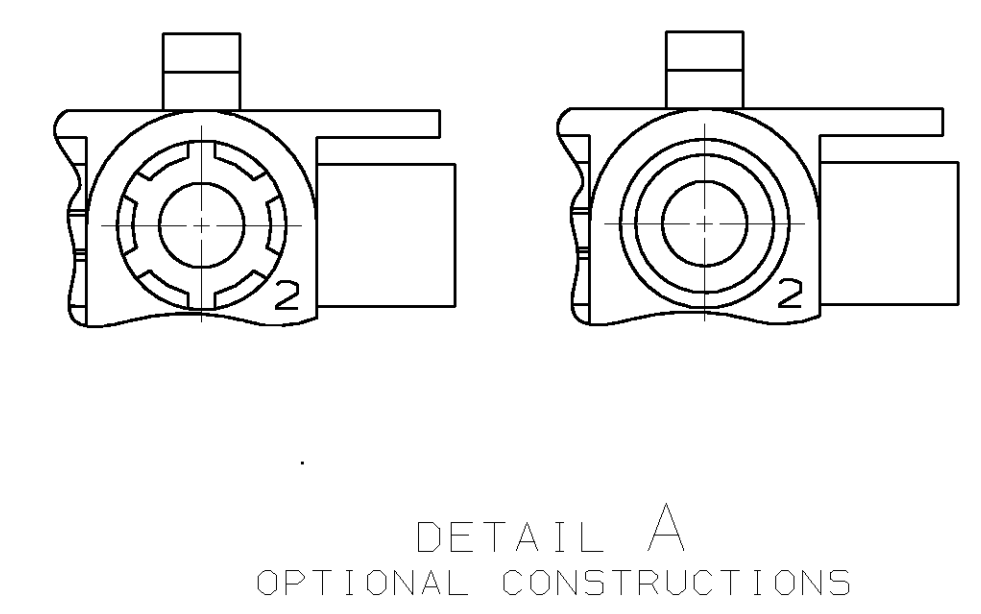


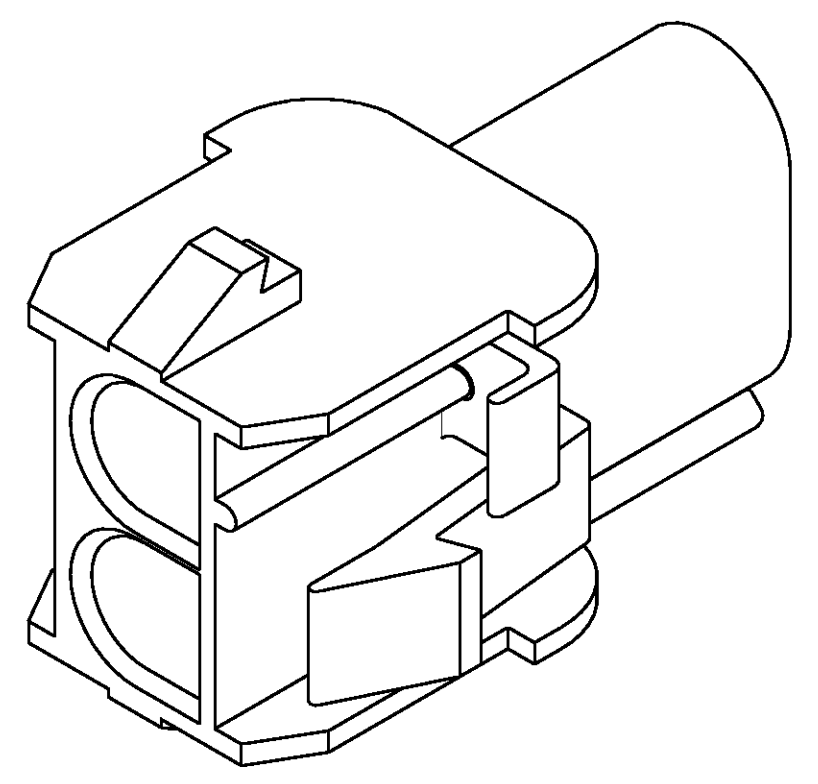
LOC		DIST		P		ZONE		LTR		REVISIONS		DATE	APPD
CM	53									DESCRIPTION			
										V	REV PER EC 0G1B-0229-98	17-FEB-99	JH RS



- MATES WITH APPROPRIATE UNIVERSAL MATE-N-LOK™ PLUG.
 - RECOMMENDED PANEL THICKNESS 0.76 - 2.29.
 - PANEL MUST BE PUNCHED SO THAT THE HOUSING ENTERS THE PANEL IN THE SAME DIRECTION AS THE PUNCH.
- △ 4 OPTIONAL FOR KEYING HOUSING IN PANEL.
 - △ 5 CIRCUIT NUMBER 1 LOCATION.
 - △ 6 DIMENSION INDICATED IS AS MOLDED. ADDITIONAL GROWTH DUE TO SUBSEQUENT MOISTURE ABSORPTION MAY OCCUR.
 - △ 7 FOUR RIBS EQUALLY SPACED, NO SPECIFIC ORIENTATION. NO RIBS OR SIX RIBS EQUALLY SPACED, NO SPECIFIC ORIENTATION, OPTIONAL.
 - △ 8 UNDERWRITERS RECOGNIZED COMPONENT LOGO AND CSA CERTIFICATION LOGO TO BE LOCATED ONCE EACH ON SIDE OF HOUSING.



RECOMMENDED PANEL CUT OUT



3-DIMENSIONAL MODEL NTS

4.45	.175	27.43	1.080
2.79	.110	14.35	.565
2.54	.100	13.97	.550
2.41	.095	13.46	.530
2.29	.090	13.21	.520
0.76	.030	8.64	.340
0.38	.015	8.13	.320
0.25	.010	7.62	.300
0.13	.005	6.35	.250
MM	IN	MM	IN

CONVERSION TABLE

METRIC

THIS DRAWING IS A CONTROLLED DOCUMENT FOR AMP INCORPORATED. IT IS SUBJECT TO CHANGE AND THE CONTROLLING ENGINEERING ORGANIZATION SHOULD BE CONTACTED FOR THE LATEST REVISION.

DO NOT SCALE PRINT. UNLESS SPECIFIED DIMENSIONS IN mm [INCHES]		DR 7-24-92 K. WHITAKER		AMP Incorporated Harrisburg, PA 17105-3508	
TOLERANCES ON: 2 PLC DEC ± 0.13 3 PLC DEC ± - ANGLES ± 1°0'		CHK 7-24-92 R. SWING			
MATERIAL NYLON, UL 94V-0		APPD 7-27-92 D. SELF		NAME CAP, 2 CIRCUIT, UNIVERSAL MATE-N-LOK™	
FINISH -		APPD 7-27-92 D. SELF		DRAWING NO C-350778	
WEIGHT -		APPLICATION SPEC -		SCALE 4:1	
				SHEET 1 OF 1	

350778-1
PART NO