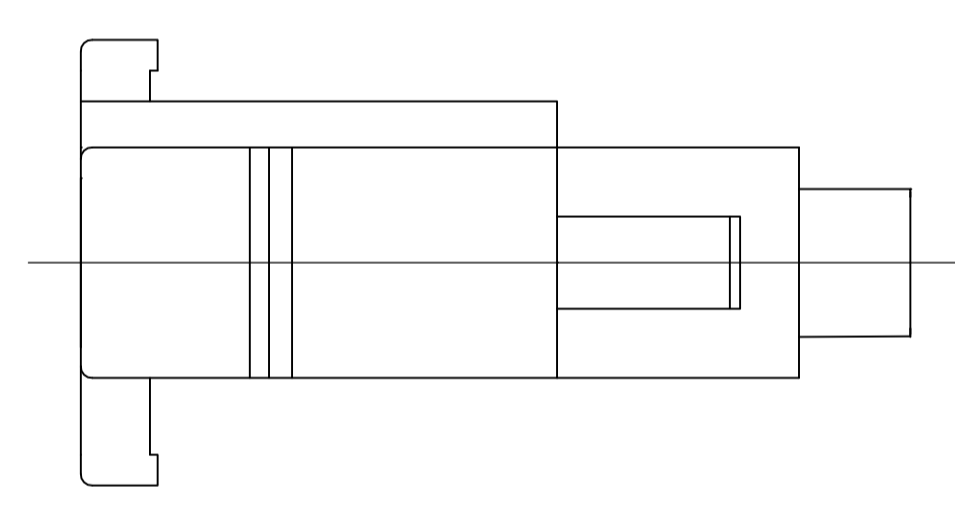
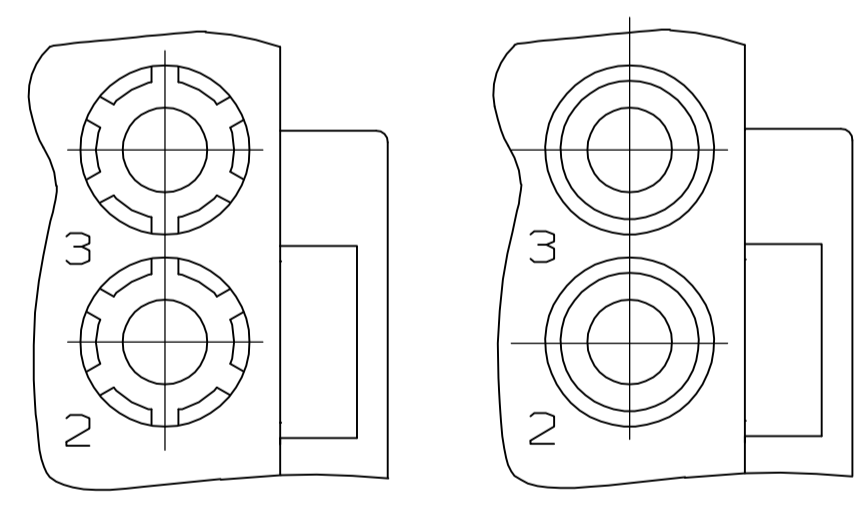
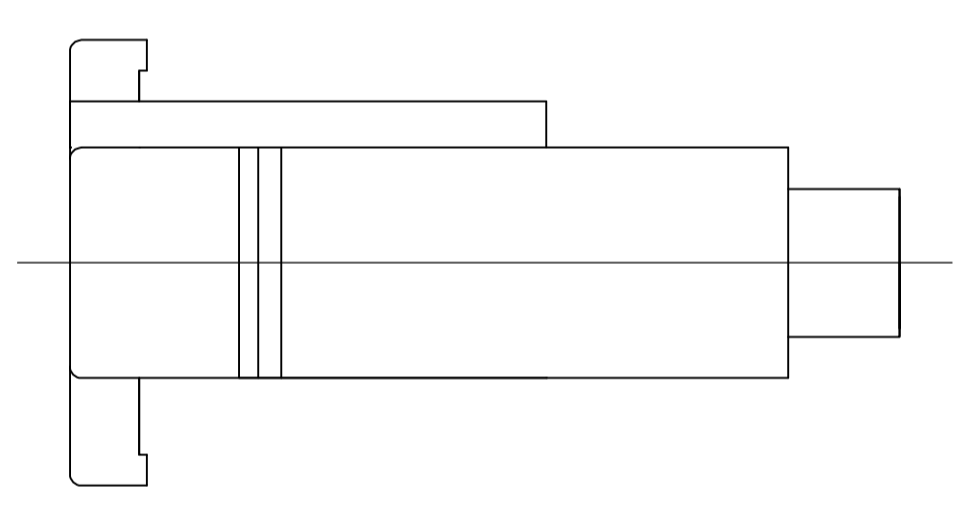


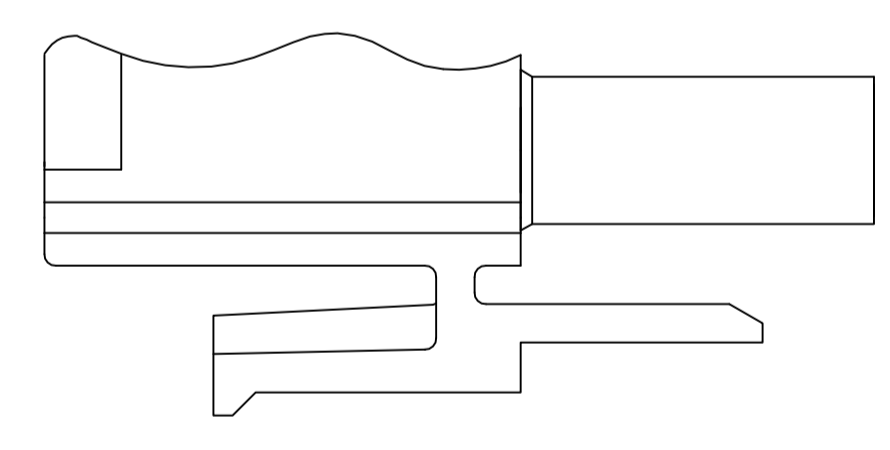
- MATES WITH APPROPRIATE UNIVERSAL MATE-N-LOK™ CAP OR HEADER.
- SMALL NICKS ARE PERMITTED ON THE CIRCUIT TOWERS WHICH COULD INCREASE THE INITIAL HOUSING MATING FORCE BY UP TO 4.4 NEWTONS [1.0 LBS]. NO INDIVIDUAL NICKED TOWER SHALL INCREASE THIS FORCE BY OVER 2.2 NEWTONS [.5 LBS].
- DIMENSION INDICATED IS AS MOLDED. ADDITIONAL GROWTH DUE TO SUBSEQUENT MOISTURE ABSORPTION MAY OCCUR.
- FOUR RIBS EQUALLY SPACED, NO SPECIFIC ORIENTATION. NO RIBS OR SIX RIBS EQUALLY SPACED, NO SPECIFIC ORIENTATION, OPTIONAL.
- NOT MANUFACTURED IN U.S.
- UNDERWRITERS RECOGNIZED COMPONENT LOGO AND CSA CERTIFICATION LOGO TO BE LOCATED ONCE EACH ON SIDE OF HOUSING.
- TRADEMARK LOCATION (AMP OR TYCO).
- MANUFACTURING LOCATION ID (OPTIONAL).



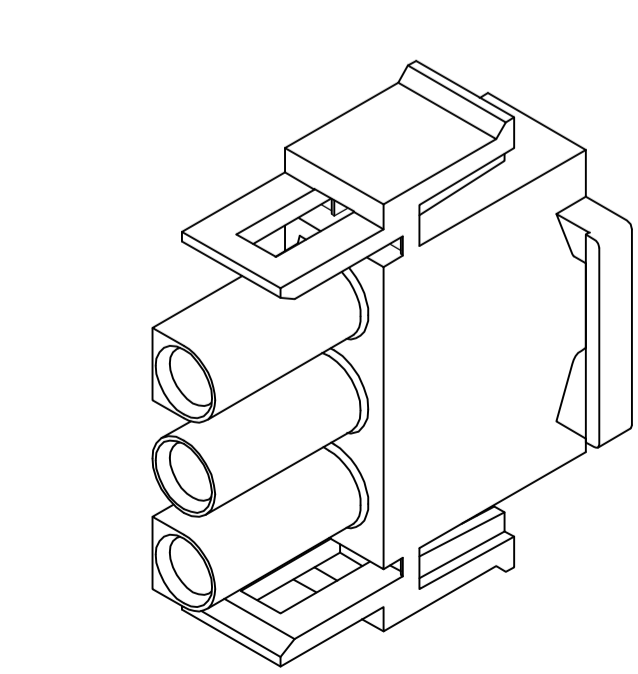
VIEW A-A
350766-4 ONLY



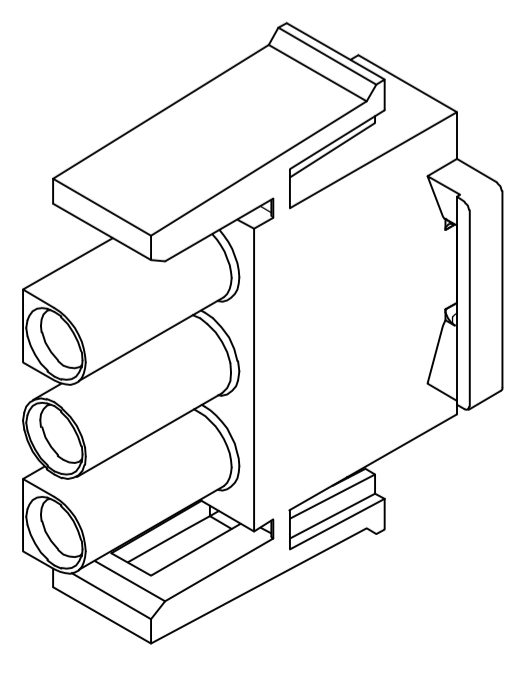
DETAIL A
OPTIONAL CONSTRUCTION



DETAIL B
350766-4 ONLY



350766-4 3-DIMENSIONAL MODEL
NTS



3-DIMENSIONAL MODEL
NTS

MM	IN
27.43	1.080
20.32	.800
14.73	.580
11.68	.460
7.62	.300
0.38	.015
0.13	.005
MM	IN

CONVERSION TABLE

350766-4
350766-2
350766-1
PART NUMBER

METRIC

THIS DRAWING IS A CONTROLLED DOCUMENT.

DIMENSIONS:	TOLERANCES UNLESS OTHERWISE SPECIFIED:	DWN	K. WHITAKER	07OCT2005		Tyco Electronics Corporation Harrisburg, PA 17105-3608	
mm	0 PLC ± - 1 PLC ± - 2 PLC ± 0.13[.005] 3 PLC ± - 4 PLC ± - ANGLES ± 0.30° FINISH -	CHK	S. RIDGILL	07OCT2005		NAME	PLUG, 3 CIRCUIT, UNIVERSAL MATE-N-LOK(TM)
		APVD	S. RIDGILL	07OCT2005	PRODUCT SPEC	SIZE	A1
MATERIAL NYLON, UL 94V-0		APPLICATION SPEC			RESTRICTED TO	-	
		WEIGHT			CUSTOMER DRAWING	SCALE	4:1
				DRAWING NO	00779	SHEET	1 OF 1
				DRAWING NO	C=350766	REV	Y1