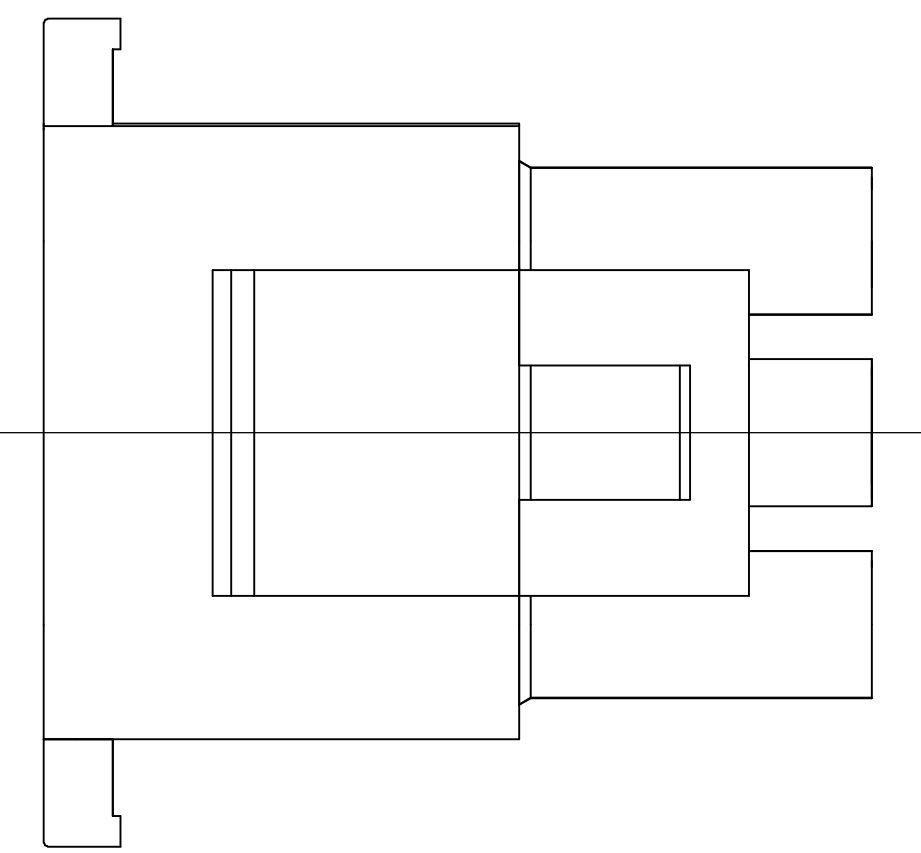
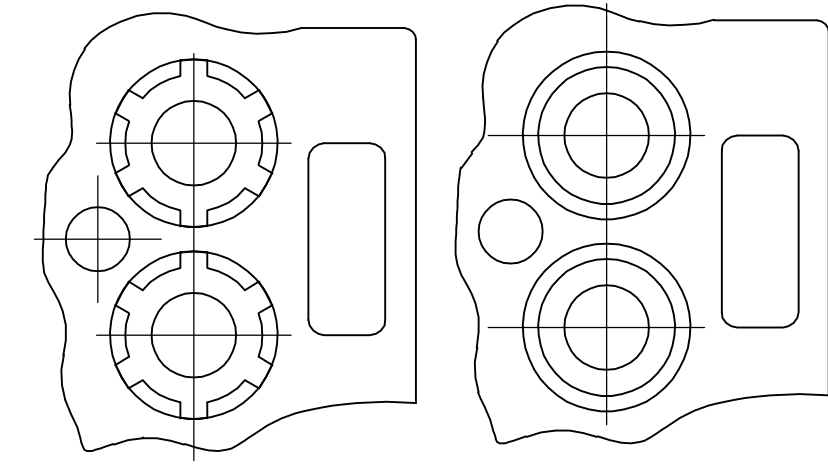
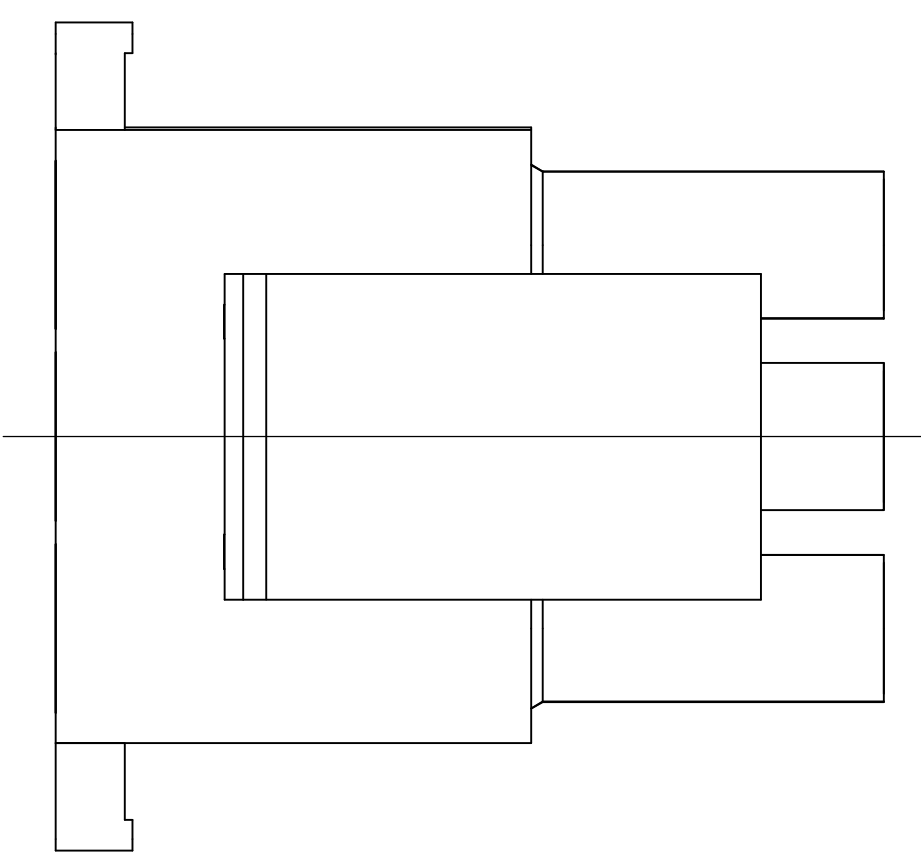


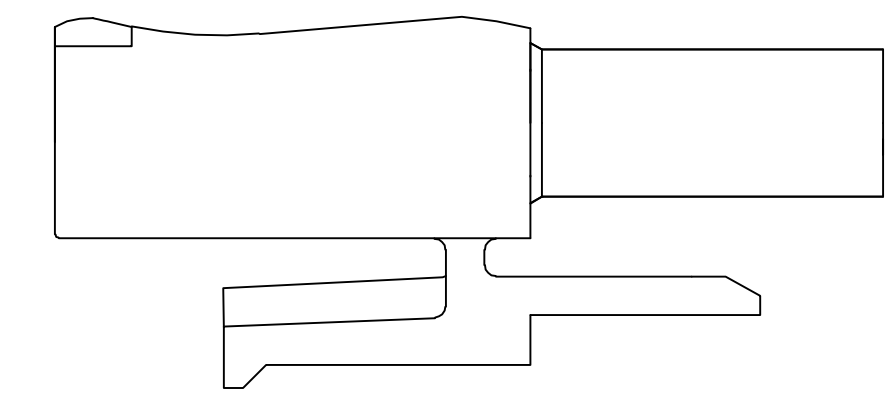
- MATES WITH APPROPRIATE UNIVERSAL MATE-N-LOK™ CAP OR HEADER.
  - SMALL NICKS ARE PERMITTED ON THE CIRCUIT TOWERS WHICH COULD INCREASE THE INITIAL HOUSING MATING FORCE BY UP TO 4.4 NEWTONS [1.0 LBS]. NO INDIVIDUAL NICKED TOWER SHALL INCREASE THIS FORCE BY OVER 2.2 NEWTONS [.5 LBS].
- △ DIMENSION INDICATED IS AS MOLDED. ADDITIONAL GROWTH DUE TO SUBSEQUENT MOISTURE ABSORPTION MAY OCCUR.
  - △ FOUR RIBS EQUALLY SPACED, NO SPECIFIC ORIENTATION. NO RIBS OR SIX RIBS EQUALLY SPACED, NO SPECIFIC ORIENTATION, OPTIONAL.
  - △ NOT MANUFACTURED IN U.S.
  - △ UNDERWRITERS RECOGNIZED COMPONENT LOGO AND CSA CERTIFICATION LOGO TO BE LOCATED ONCE EACH ON SIDE OF HOUSING.



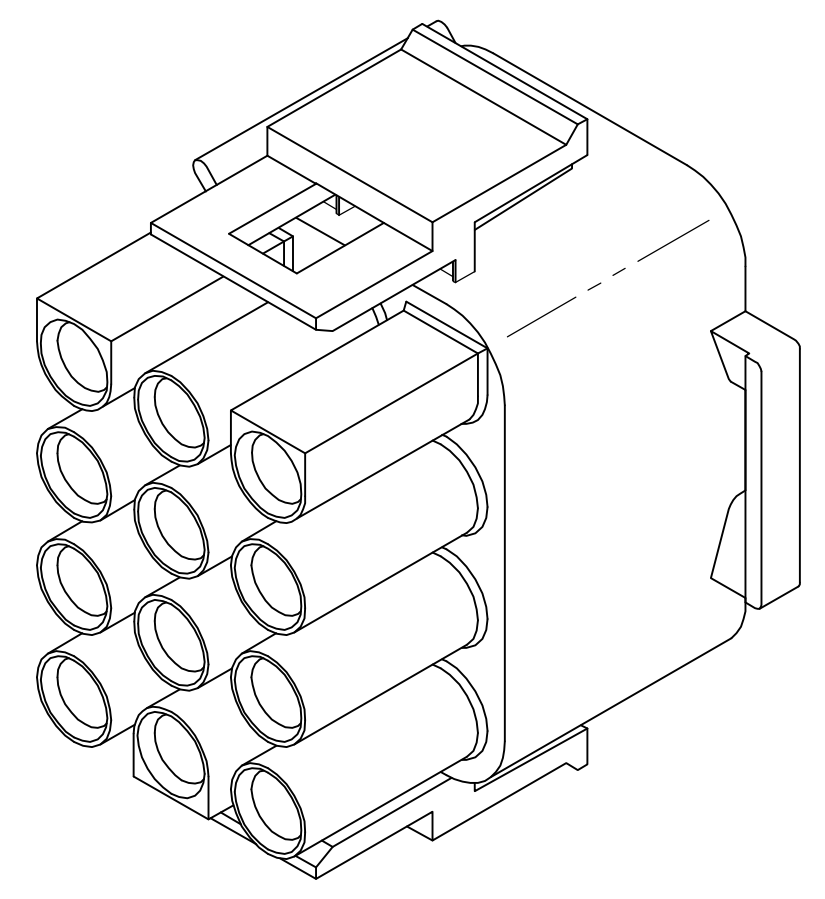
VIEW A-A  
350735-4 ONLY



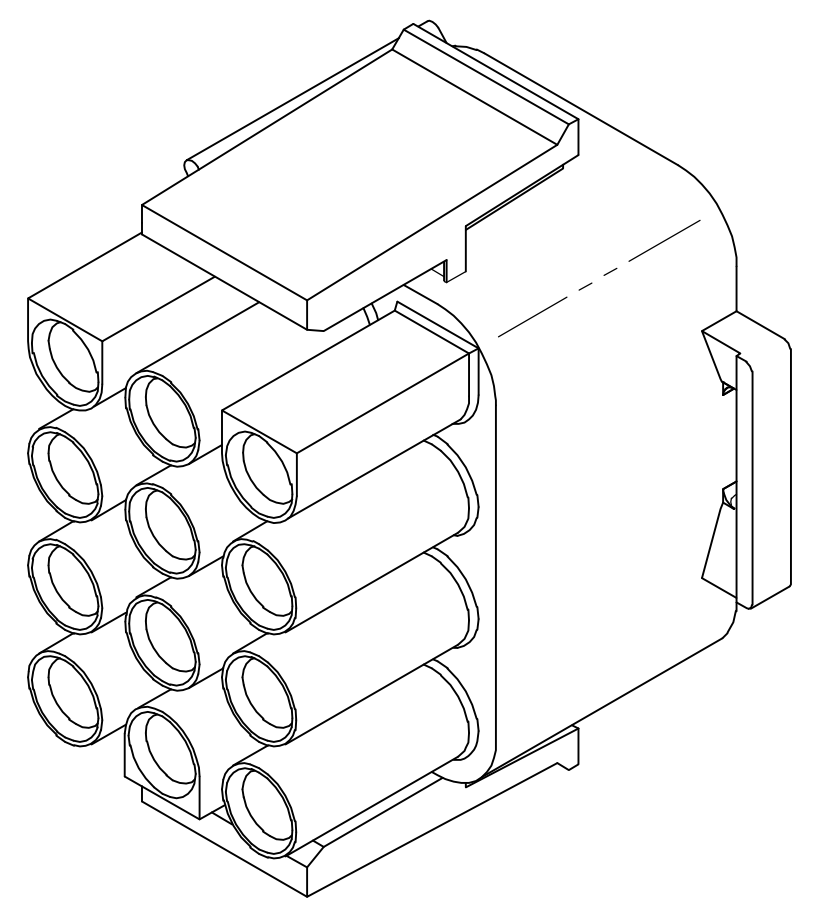
DETAIL A  
OPTIONAL CONSTRUCTIONS



DETAIL B  
350735-4 ONLY



350735-4 3-DIMENSIONAL MODEL  
NTS



3-DIMENSIONAL MODEL  
NTS

27.43	1.080
26.67	1.050
20.32	.800
11.68	.460
0.38	.015
0.13	.005
MM	IN

CONVERSION TABLE

METRIC

△ RED	350735-5
WHITE	350735-4
WHITE	350735-1
COLOR	PART NO

THIS DRAWING IS A CONTROLLED DOCUMENT.

DIMENSIONS: mm	TOLERANCES UNLESS OTHERWISE SPECIFIED:	DWN: K. WHITAKER 23FEB2006	chk: S. RIDGILL 23FEB2006	APVD: S. RIDGILL 23FEB2006	NAME: S. RIDGILL	tyco Electronics	Tyco Electronics Corporation Harrisburg, PA 17105-3608
0 PLC ± -	1 PLC ± -	2 PLC ± 0.13	3 PLC ± -	4 PLC ± -	ANGLES ± 0.30°	FINISH	PLUG, 12 CIRCUIT, UNIVERSAL MATE-N-LOK(TM)
MATERIAL: NYLON,UL 94V-0	WEIGHT: -	SIZE: A1	CAGE CODE: 00779	DRAWING NO: 350735	RESTRICTED TO: -	CUSTOMER DRAWING	
		SCALE: 4:1	SHEET: 1 OF 1	REV: V			