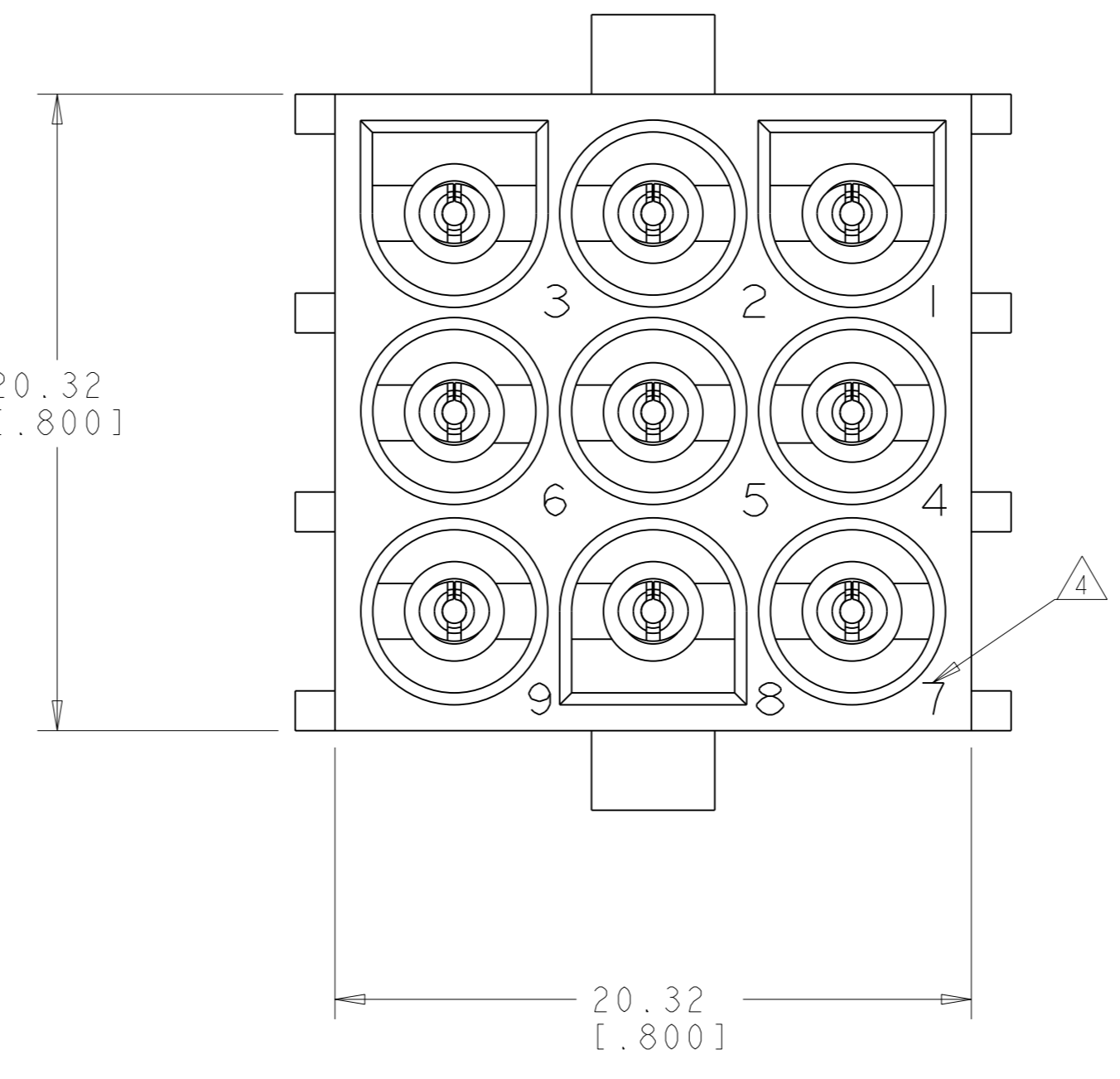
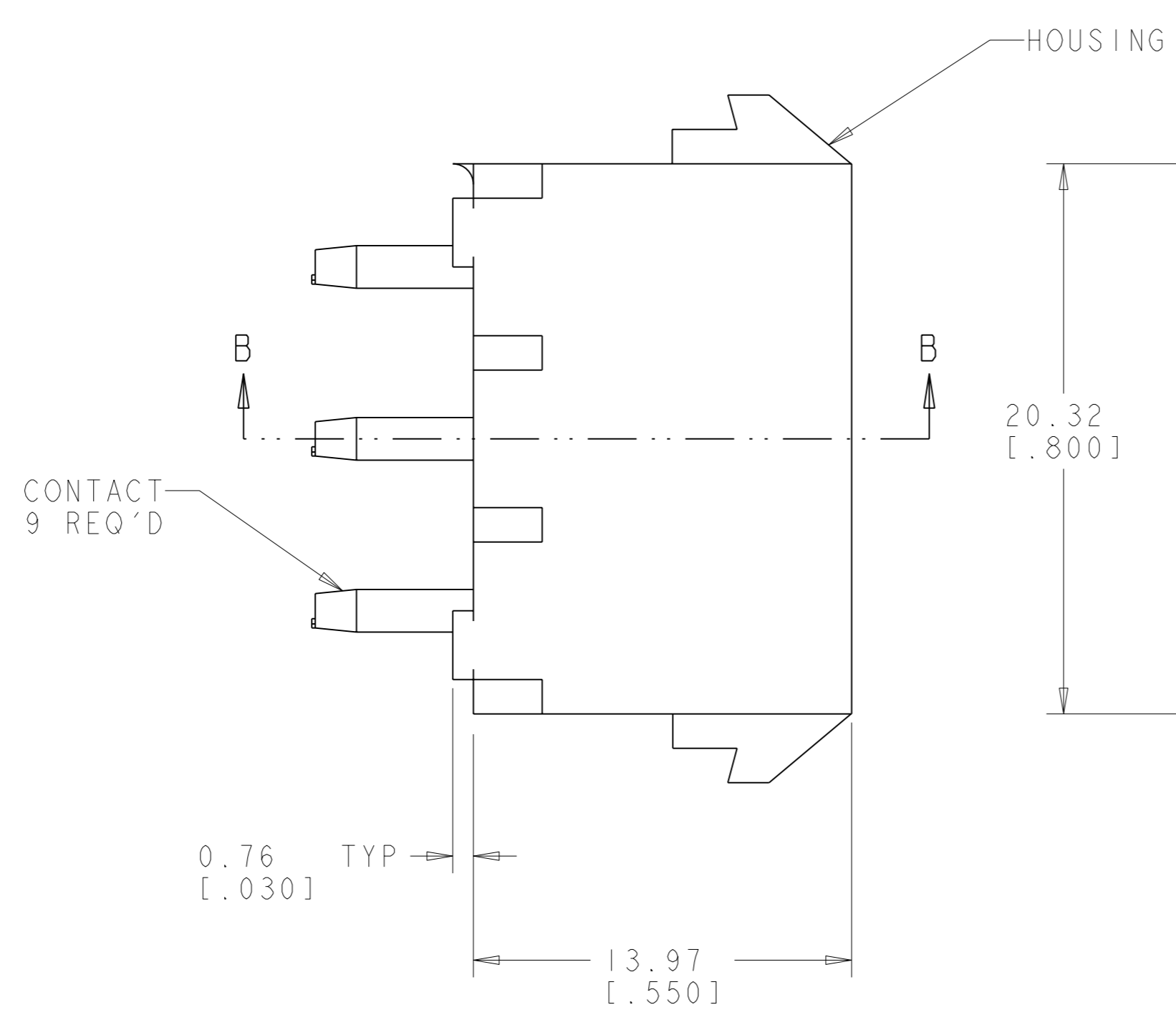
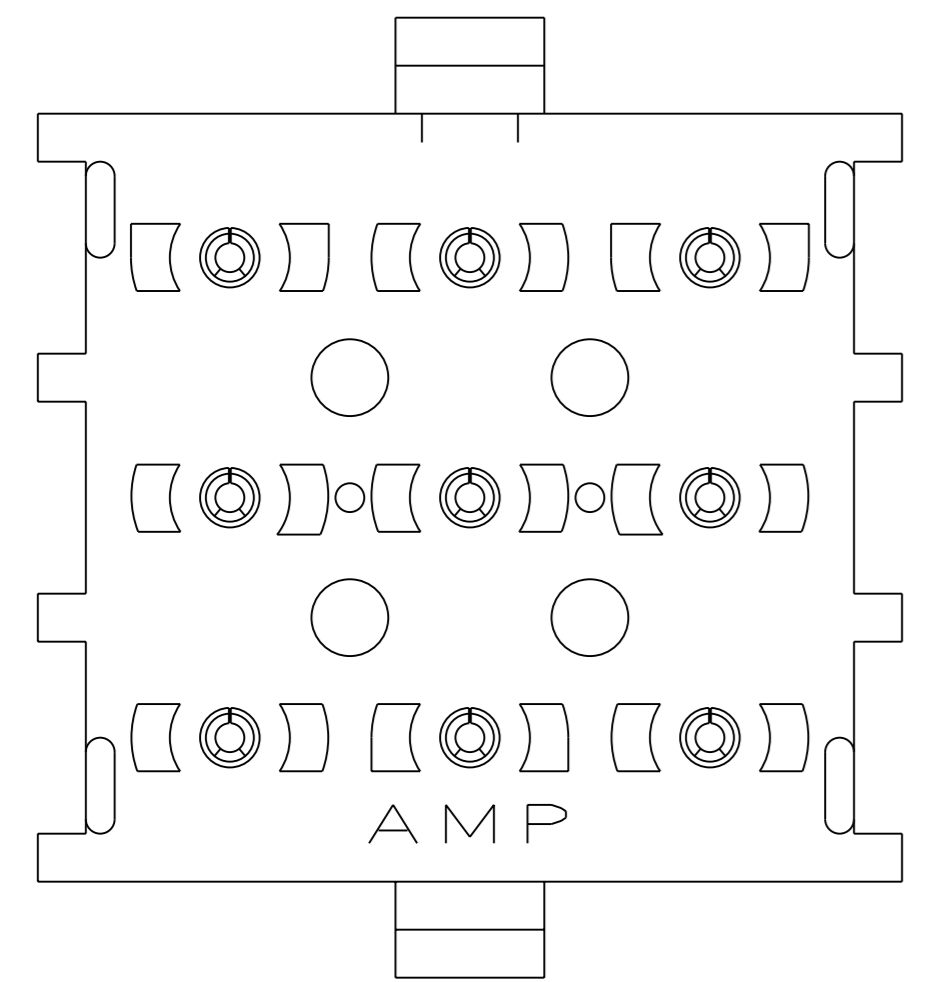
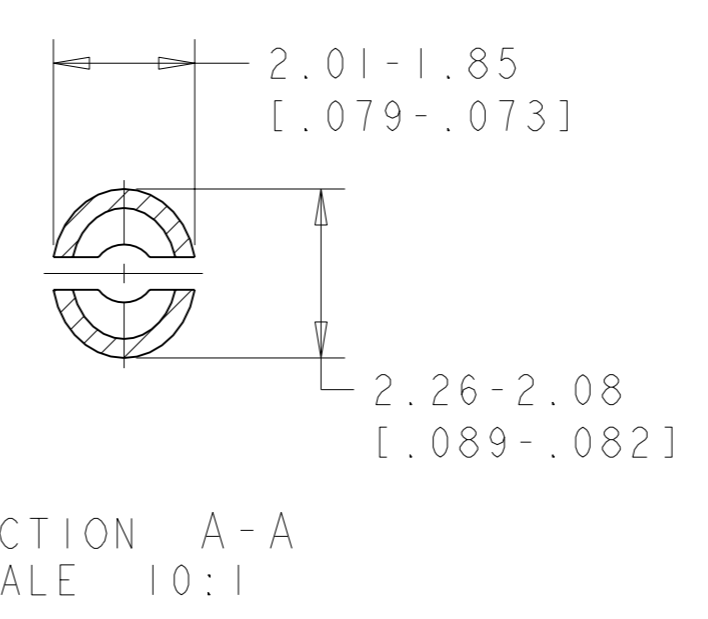
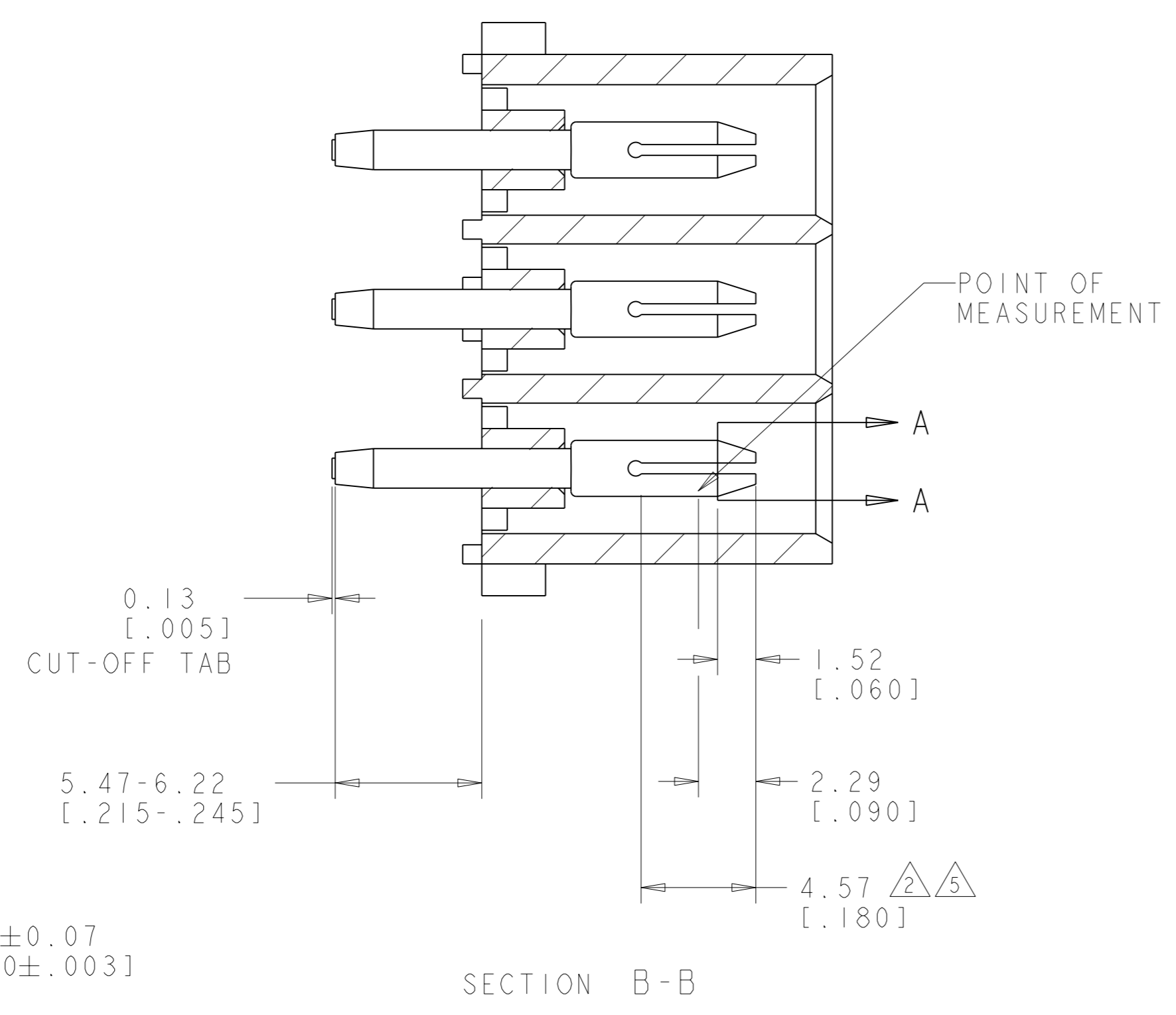


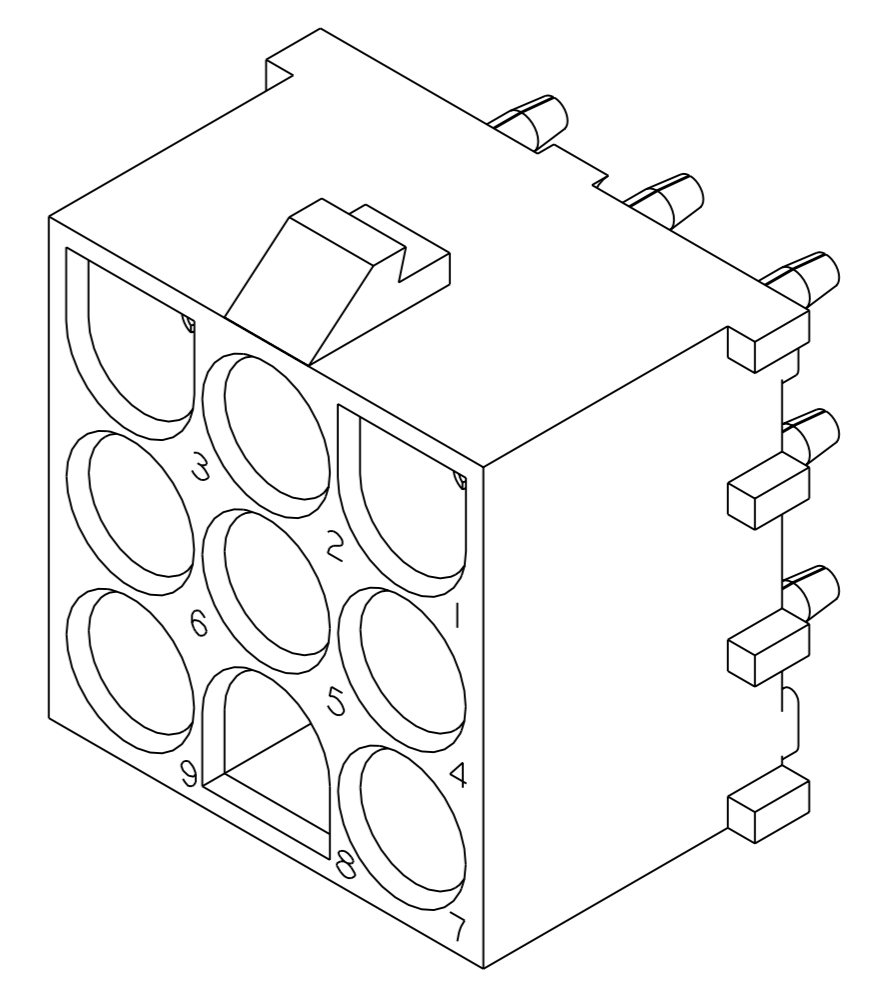
LOC		DIST		REVISIONS			
F	LTW	DESCRIPTION	DATE	DWN	APVD		
T		REVISED PER 0G3B-1100-04	07SEP05	KW	SR		



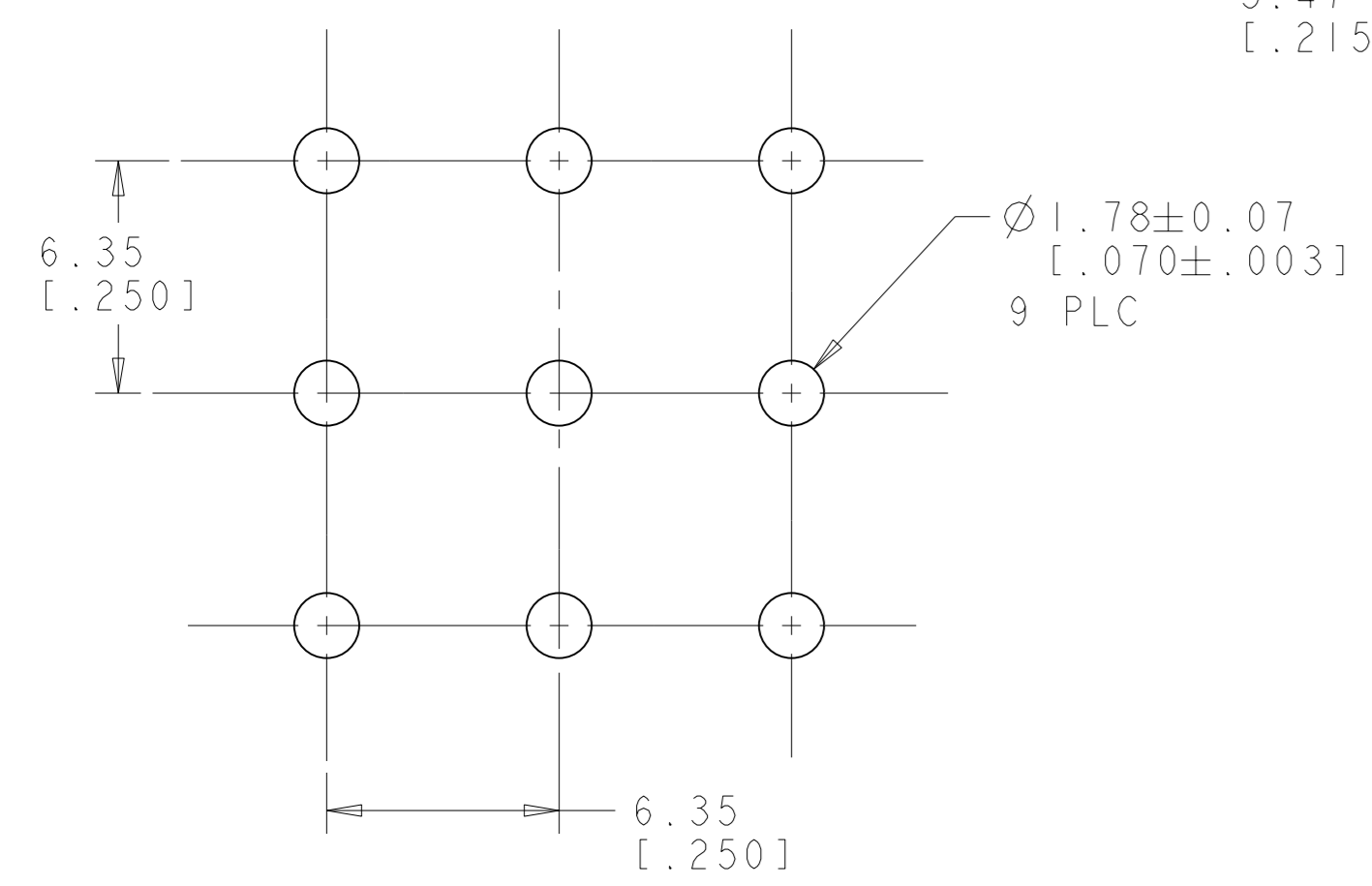
- PARTS COMPLY TO AMP SOLDERABILITY SPECIFICATION 109-11-3.
- CONTACT IS PLATED OVERALL WITH 0.00127 [.000050] NICKEL, THEN 0.00076 [.000030] GOLD OVER CONTACT LENGTH INDICATED AND TIN LEAD ON SOLDER TAIL END.
- MATES WITH HOUSING 480706.
- CIRCUIT IDENTIFICATION CHARACTERS ARE ADJACENT TO THE INDICATED CAVITIES, BUT LOCATION AND ORIENTATION MAY DIFFER FROM PRINT.
- CONTACT IS PLATED OVERALL WITH 0.00127 [.000050] NICKEL, THEN 0.00076 [.000030] GOLD OVER CONTACT LENGTH INDICATED AND MATTE TIN ON SOLDER TAIL END.
- DIMENSIONS IN BRACKETS ARE IN INCHES.



SECTION A-A  
SCALE 10:1

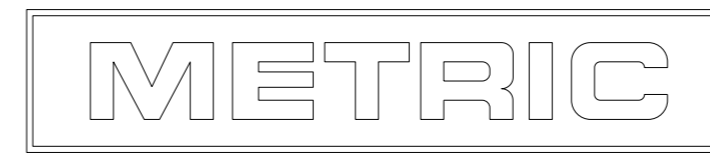


3 DIMENSIONAL MODEL  
SCALE 4:1



RECOMMENDED MOUNTING HOLE PATTERN  
FOR 1.57 [.062] THICK P.C. BOARD

PHOSPOR BRONZE, GOLD $\Delta$	NYLON, UL94V-2, NATURAL	350586-4
PHOSPOR BRONZE, GOLD $\Delta$	NYLON, UL94V-2, NATURAL	350586-2
PHOSPOR BRONZE, PRE-TIN	NYLON, UL94V-2, NATURAL	350586-1
PIN CONTACT MATERIAL AND FINISH	HOUSING MATERIAL AND COLOR	PART NUMBER



DIMENSIONS: mm [INCHES]		TOLERANCES UNLESS OTHERWISE SPECIFIED: 0 PLC ± 1 PLC ± 2 PLC ±0.13(.005) 3 PLC ± 4 PLC ± ANGLES 40° 30'		DWN K. WHITAKER 19 JULY 2005 CHK S. RIDGILL 19 JULY 2005 APVD S. RIDGILL 19 JULY 2005 NAME PRODUCT SPEC APPLICATION SPEC WEIGHT CUSTOMER DRAWING		Tyco Electronics Harrisburg, PA 17105-3608 PIN HEADER ASSEMBLY, 9 CIRCuits, UNIVERSAL MATE-N-LOK(TM) SIZE CAGE CODE DRAWING NO. RESTRICTED TO A 00779 ©=350586 SCALE 5:1 SHEET 1 OF 1 REV T	
----------------------------	--	---	--	---	--	--	--