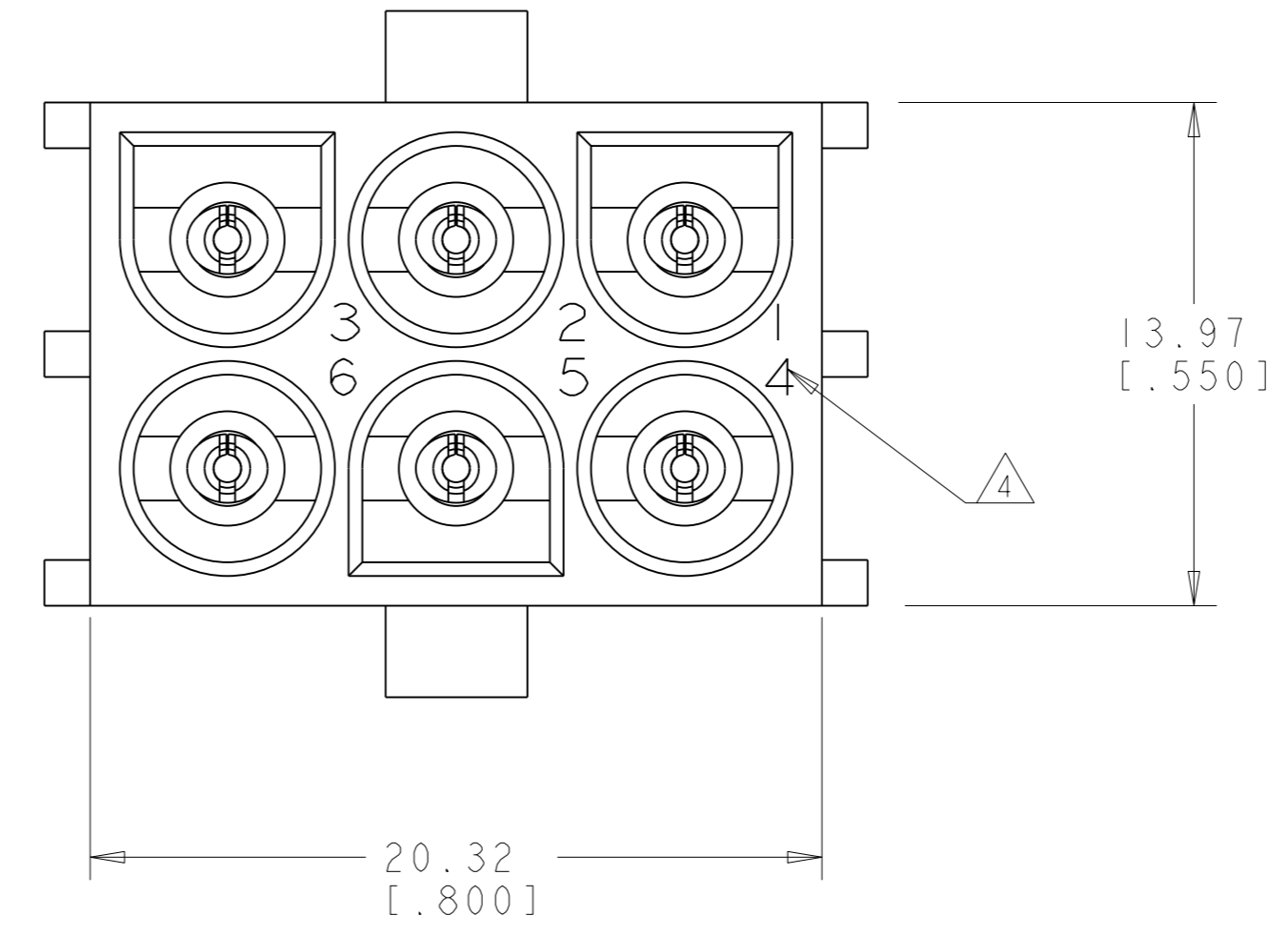
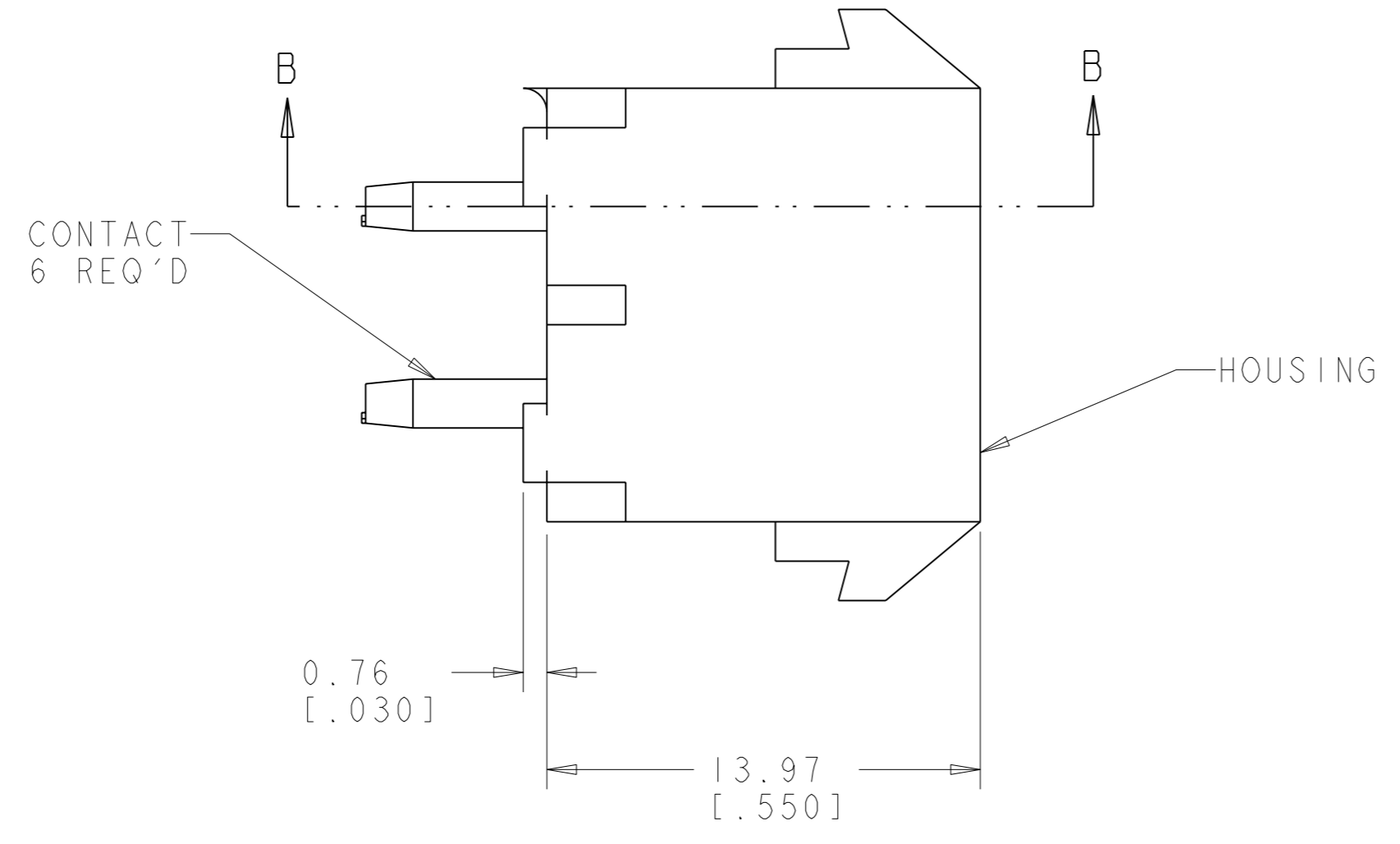
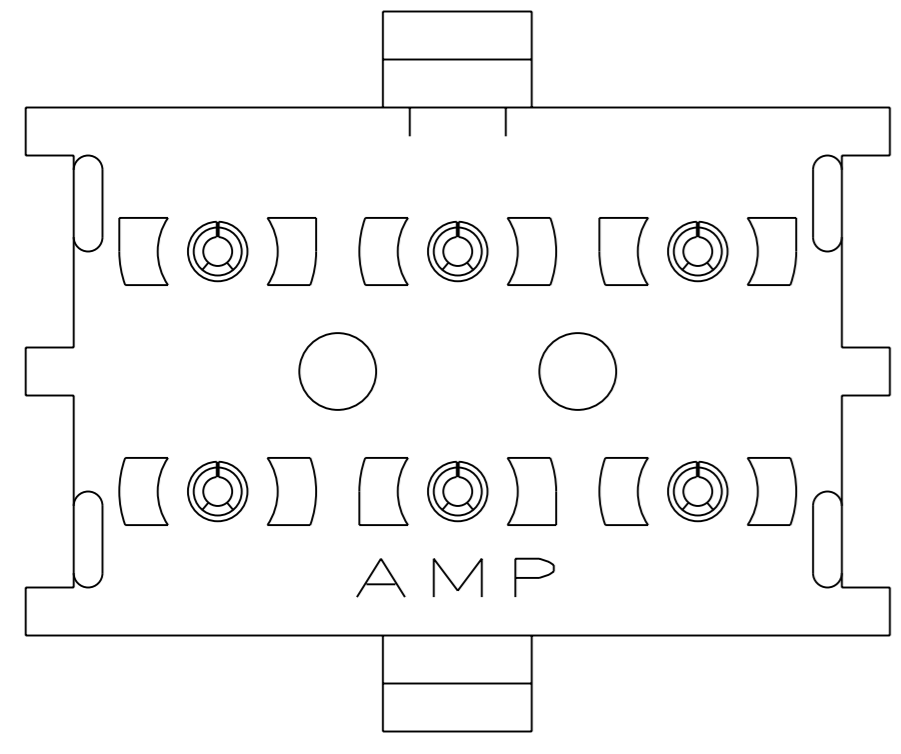
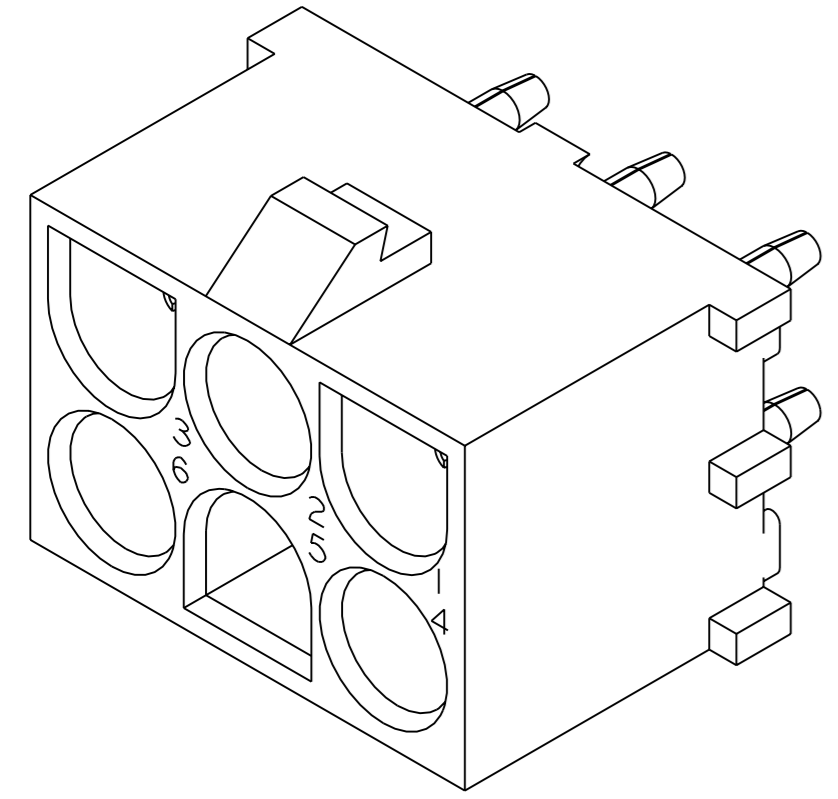
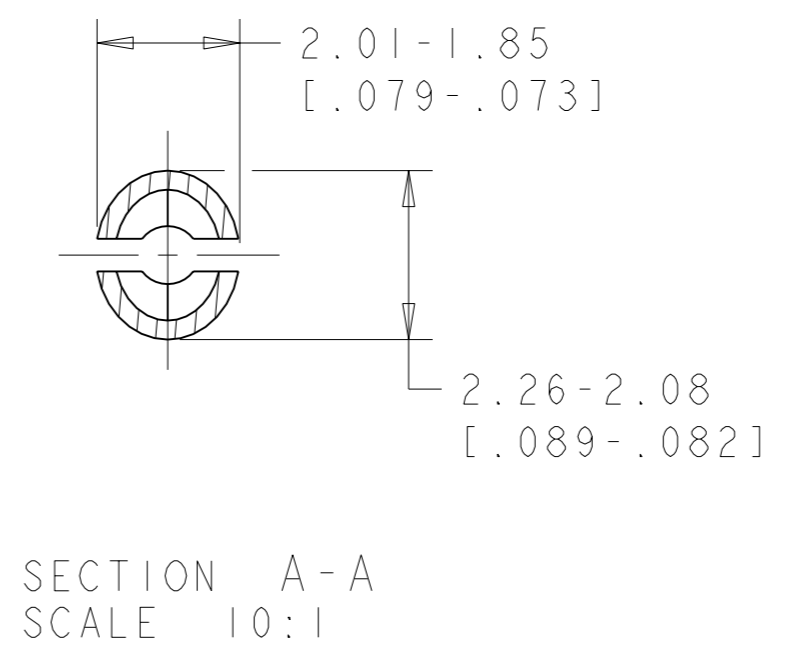
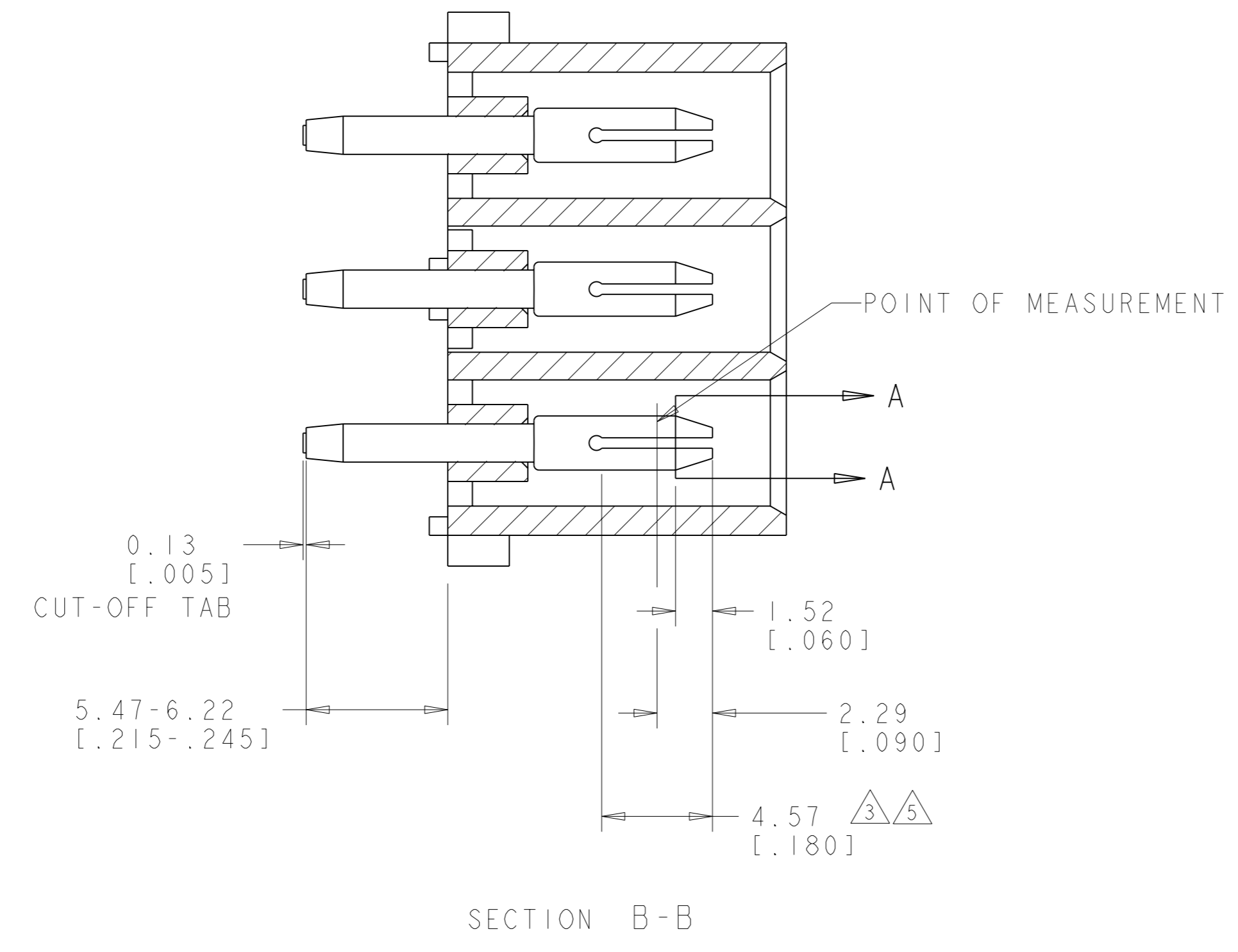


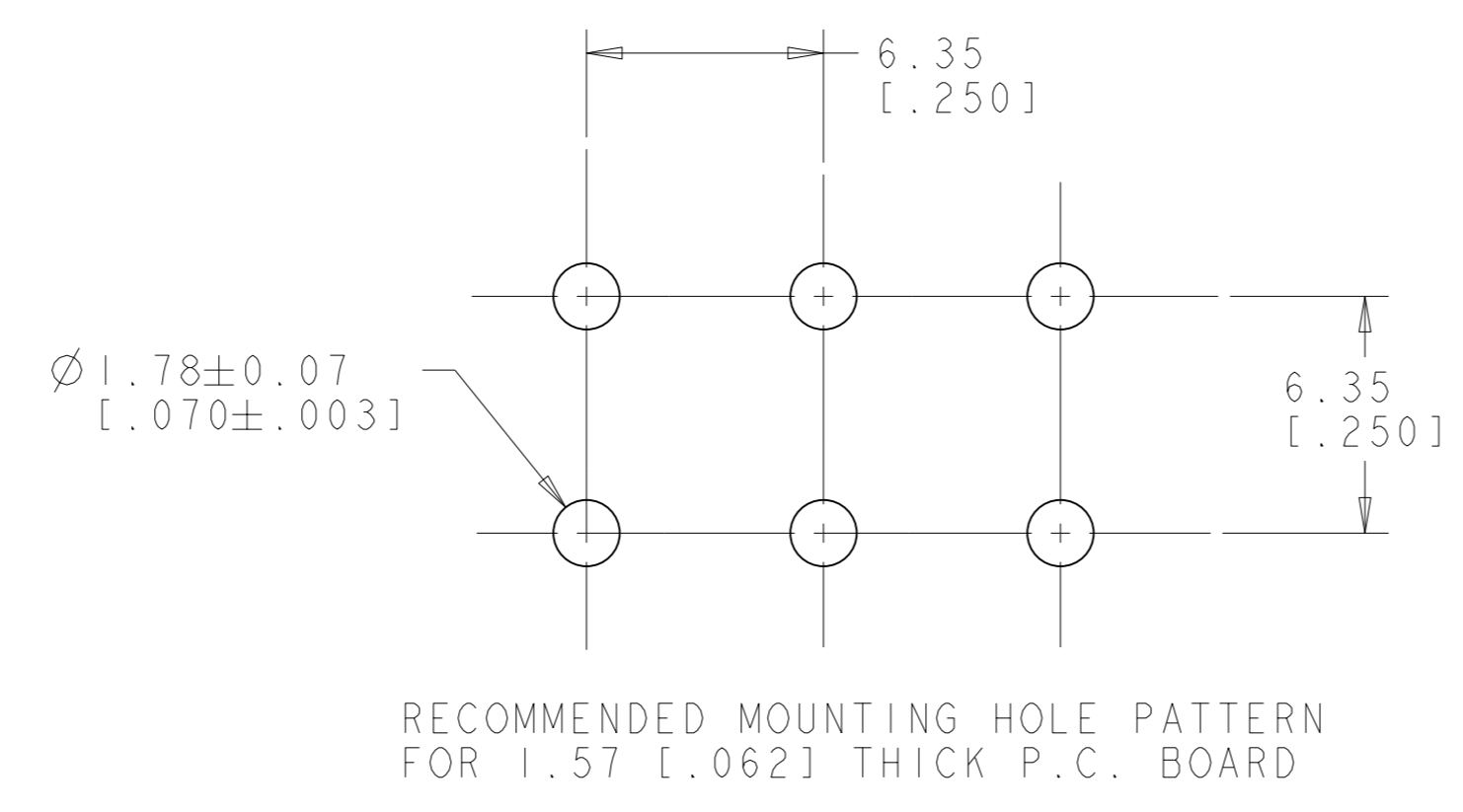
LOC		DIST		REVISIONS			
F	LYR	DESCRIPTION	DATE	DWN	APVD		
R		REVISED PER 0G3B-1100-04	02SEP05	KW	SR		



1. PARTS MATE WITH HOUSING 480704.
2. PARTS COMPLY TO AMP SOLDERABILITY SPECIFICATION 109-11-3.
3. CONTACT IS PLATED OVERALL WITH 0.00127 [.000050] NICKEL, THEN 0.00076 [.000030] GOLD OVER CONTACT LENGTH INDICATED AND TIN LEAD ON SOLDER TAIL END.
4. CIRCUIT IDENTIFICATION CHARACTERS ARE ADJACENT TO THE INDICATED CAVITIES, BUT LOCATION AND ORIENTATION MAY DIFFER FROM PRINT.
5. CONTACT IS PLATED OVERALL WITH 0.00127 [.000050] NICKEL, THEN 0.00076 [.000030] GOLD OVER CONTACT LENGTH INDICATED AND MATTE TIN ON SOLDER TAIL END.
6. DIMENSIONS IN BRACKETS ARE IN INCHES.

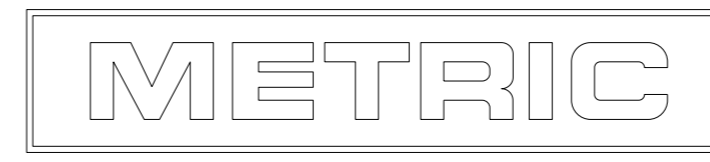


3 DIMENSIONAL MODEL
SCALE 4:1



RECOMMENDED MOUNTING HOLE PATTERN
FOR 1.57 [.062] THICK P.C. BOARD

PHOSPOR BRONZE, GOLD	NYLON, UL94V-2, NATURAL	350585-4
PHOSPOR BRONZE, GOLD	NYLON, UL94V-2, NATURAL	350585-2
PHOSPOR BRONZE, PRE-TIN	NYLON, UL94V-2, NATURAL	350585-1
PIN CONTACT MATERIAL AND FINISH	HOUSING MATERIAL AND COLOR	PART NUMBER



DIMENSIONS: mm [INCHES]		TOLERANCES UNLESS OTHERWISE SPECIFIED:		DWN: K. WHITAKER 02SEP2005		Tyco Electronics	
0 PLC	±	0 PLC	±	CHK: S. RIDGILL 02SEP2005	Harrisburg, PA 17105-3608		
1 PLC	±	1 PLC	±	APVD: S. RIDGILL 02SEP2005	NAME: PIN HEADER ASSEMBLY, 6 CIRCUIT, UNIVERSAL MATE-N-LOK(TM)		
2 PLC	±0.13(.005)	2 PLC	±	PRODUCT SPEC	SIZE: A		
3 PLC	±	3 PLC	±	APPLICATION SPEC	CAGE CODE: 00779		
4 PLC	±	4 PLC	±	WEIGHT	DRAWING NO: 350585		
ANGLES	±	ANGLES	±	CUSTOMER DRAWING	SCALE: 5:1		
MATERIAL: SEE TABLE		FINISH: SEE TABLE		SHEET 1 OF 1		REV R	