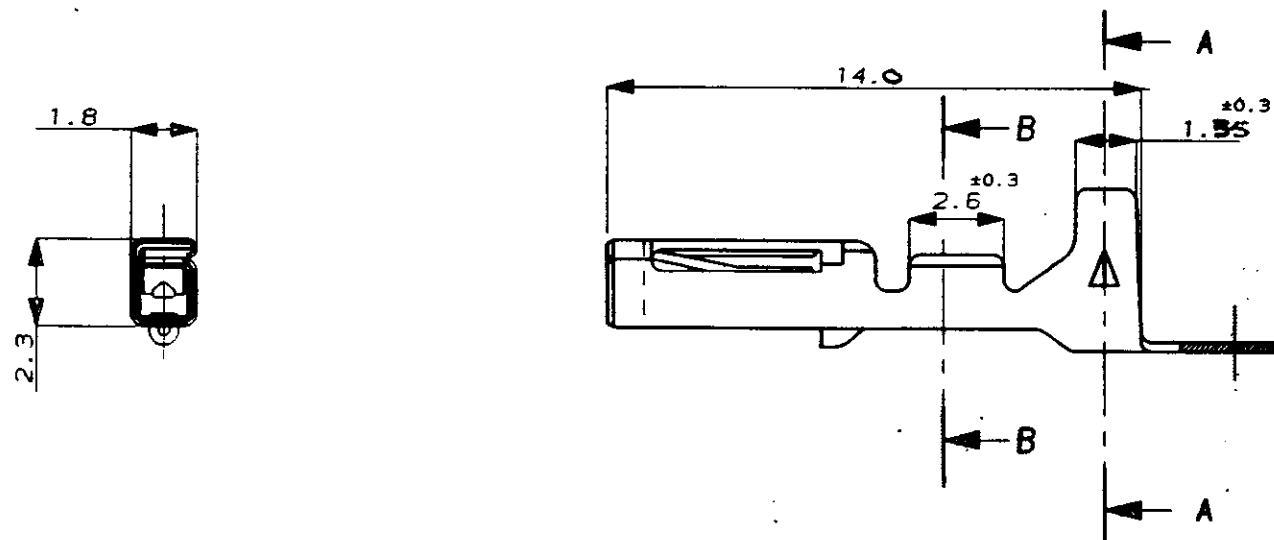
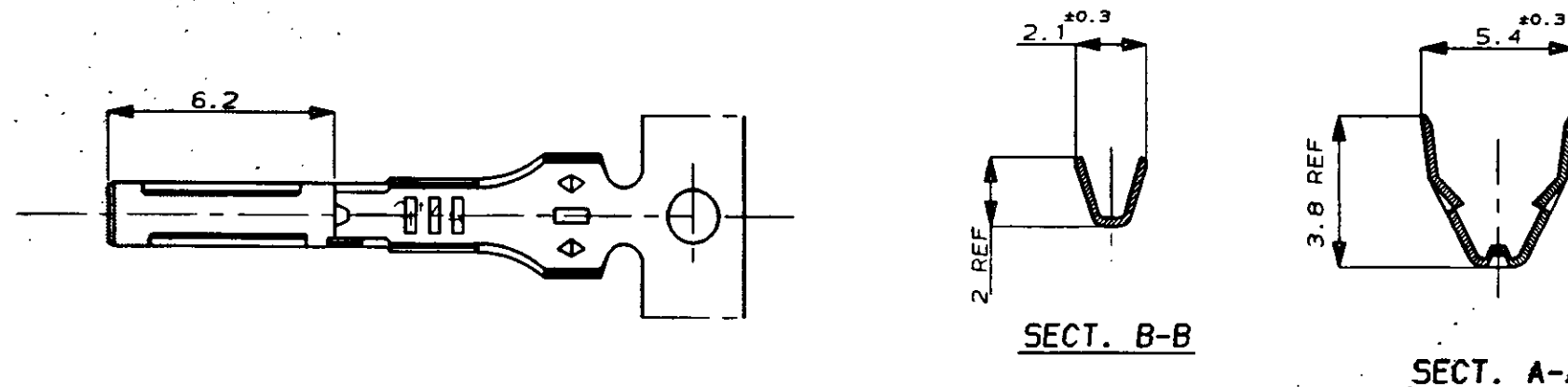


C.A.D. FILE CODE  
S. C345160.0

DO NOT SCALE

DIMENSIONS IN MM.



NOTES:-

- 1 WIRE DETAILS ; 0.2-0.5mm<sup>2</sup> , 1.2-2.0 INS. DIA.
- 2 SIMILAR TO PART NUMBER 173681.

PRE-TIN		PHOS. BRONZE		345160-1	
FINISH		MATERIAL		PART NUMBER	
CUSTOMER DWG FOR REFERENCE ONLY		©COPYRIGHT 1991 BY AMP OF GREAT BRITAIN LTD. ALL INTERNATIONAL RIGHTS RESERVED. ALL PRODUCTS MAY BE COVERED BY BRITISH AND FOREIGN PATENTS AND/OR PATENTS PENDING.		RELEASED FOR PUBLICATION 16 OCT 1991	
-	-	TOLERANCES UNLESS OTHERWISE STATED ; DEC ± 0.5 ANGLES ± 1°		DR. D.R. TERRY 10 OCT 1991	
-	-			CH. M MISTRY APP. M MISTRY	
-	-			<b>AMP</b> of Great Britain Ltd. TERMINAL HOUSE STANNORE MIDD.	
A	EB00-0045-97	11-2-97	NAME .040 SERIES RECEPTACLE CONTACT MULTI-LOCK		
0	RELEASE FOR PROD. EB00-0219-93	23-6-93	SCALE	LOC	SIZE
1	M. MISTRY	16-10-91	5/1	E	A3
REV	APPROVED	ECN	DATE	DWG. No.	REV SHEET
				C345160	A 1/1