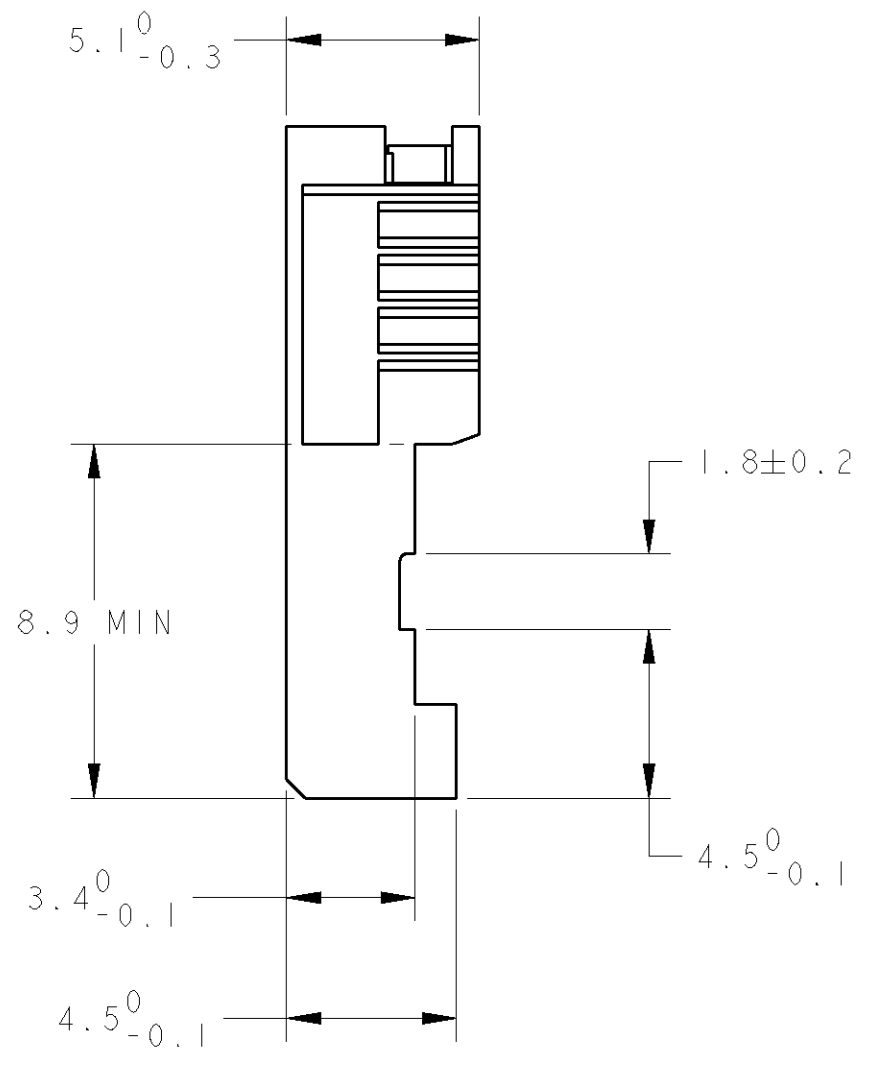
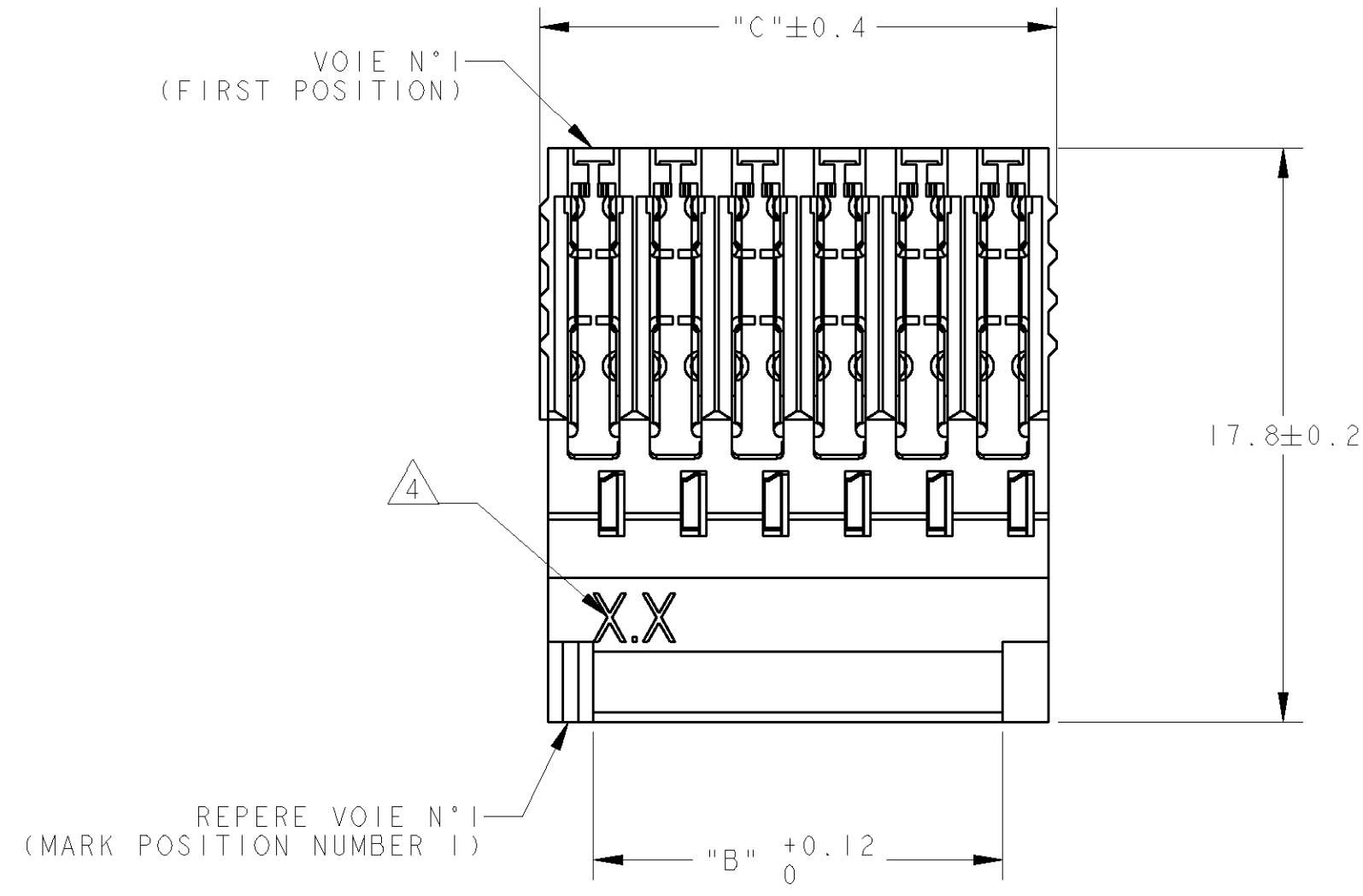
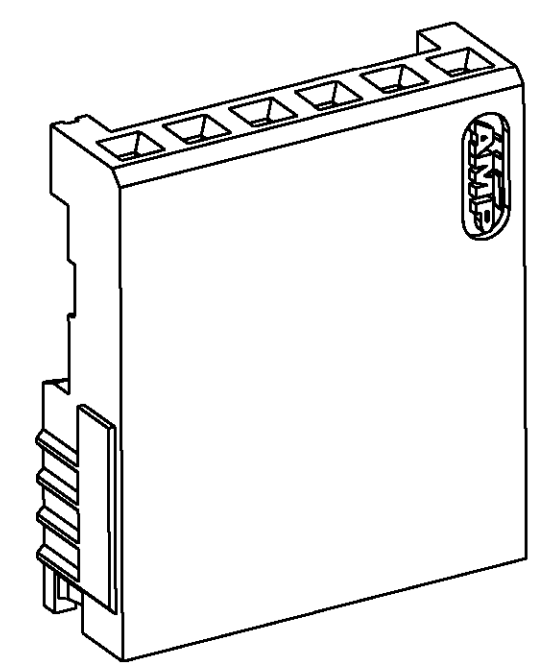
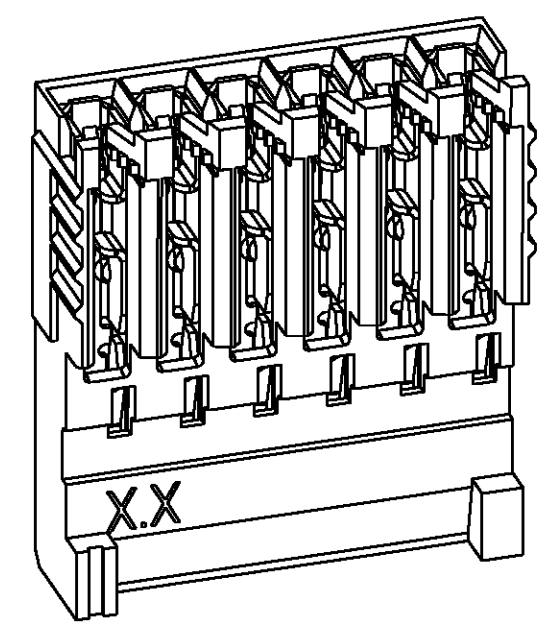
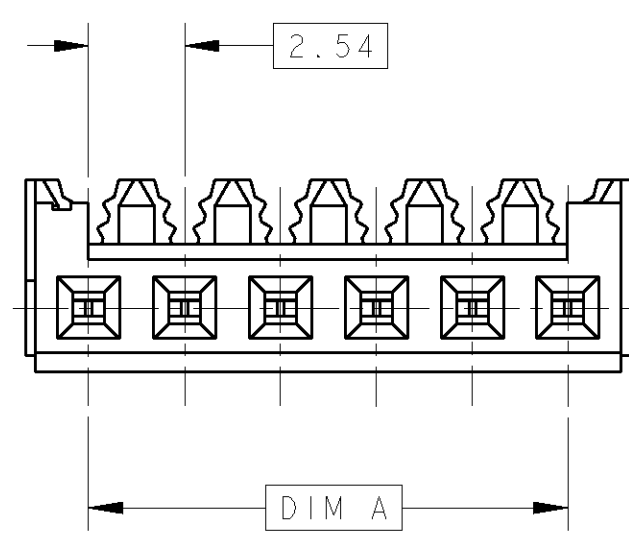


THIS DRAWING IS UNPUBLISHED. / RELEASED FOR PUBLICATION / DIFFUSION RESTREINTE / LIBRE A LA DIFFUSION

© COPYRIGHT 20 BY TYCO ELECTRONICS CORPORATION. ALL RIGHTS RESERVED. / TOUS DROITS RESERVES

FILS ADMISSIBLES (ACCEPTABLE WIRES)	
JAUGE (AWG) SECTION / 7 BRINS (7 STRANDS)	26-24 0.12-0.22mm ²
ISOLANT: Ø MAX / MATIERE (INSUL.: Ø MAX / MAT'L)	Ø 1.2 / PVC

LOC		DIST		REVISIONS			
F	7	P	LTR	DESCRIPTION MODIFICATIONS	DATE	DWN DESS.	APVD APP.
		A		AJOUT 1 REF.	02/90	AC	-
		B		REDESSINE	06/90	AC	-
		C		REDESSINE SUR (REDRAWN ON) PRO/ENG	10SEP2002	CC	YP



REFERENCE	DATE	DESCRIPTION	DATE	DESIGNER	APPROVER
64.30	60.96	25	2	281783	5
61.76	58.42	24	2	281783	4
59.22	55.88	23	2	281783	3
56.68	53.34	22	2	281783	2
54.14	50.80	21	2	281783	1
51.60	48.26	20	2	281783	0
49.06	45.72	19	1	281783	9
46.52	43.18	18	1	281783	8
43.98	40.64	17	1	281783	7
41.44	38.10	16	1	281783	6
38.90	35.56	15	1	281783	5
36.36	33.02	14	1	281783	4
33.82	30.48	13	1	281783	3
31.28	27.94	12	1	281783	2
28.74	25.40	11	1	281783	1
26.20	22.86	10	1	281783	0
23.66	20.32	9	0	281783	9
21.12	17.78	8	0	281783	8
18.58	15.24	7	0	281783	7
16.04	12.70	6	0	281783	6
13.50	10.16	5	0	281783	5
10.96	7.62	4	0	281783	4
8.42	5.08	3	0	281783	3
5.88	2.54	2	0	281783	2

- 1 CES CONNECTEURS SONT PREVUS POUR ETRE ACCOUPLES AVEC LES EMBASES 'HE1402' SIMPLE RANGEE (THESE CONNECTEURS ARE DESIGNED TO BE MATED WITH 'HE1402' HEADERS SINGLE ROW)
- 2 LES REFERENCES SUIVIES D'UN ' * ' SONT LES VERSIONS NORMALISEES SELON LA 'CEI 603-8' (THE PART-NO FOLLOWED BY ' * ' ARE COVERED BY THE INTERNATIONAL STANDARD 'IEC603-8')
- 3 REVETEMENT DES CONTACTS: ETAME (CONTACTS PLATING: TIN)
- 4 "X.X" EST REMPLACÉ PAR LES DEUX DEUXIEME CHIFFRES DU COUPLE DES JAUGES AWG ("X.X" REPLACED BY THE TWO SECOND DIGIT OF THE PAIR OF AWG AS DEFINED IN TABLE)
- 5 MATIERES - BOITIER: PBT UL94V0 - CONTACTS: BRONZE PHOSPHOREUX. (MATERIALS - CASE: PBT UL94V0 - CONTACTS: PHOSPHOR BRONZE)

<small>THIS DRAWING IS A CONTROLLED DOCUMENT FOR TYCO ELECTRONICS CORPORATION IT IS SUBJECT TO CHANGE AND THE CONTROLLING ENGINEERING ORGANIZATION SHOULD BE CONTACTED FOR THE LATEST REVISION.</small> <small>CE PLAN EST UN DOCUMENT CONTRÔLÉ PAR AMP INCORPORATED. IL EST SUSCEPTIBLE D'ÊTRE REVISÉ. CONTACTER LE SERVICE TECHNIQUE D'AMP DE FRANCE POUR OBTENIR LA DERNIÈRE RÉVISION.</small>		DWN/DESSINE 29NOV2000 C. COMBEDOUZON CHK/VERIFIE 29NOV2000 I. CORRIEU APVD/APROUVE 29NOV2000 Y. PETRONIN		AMP AMP DE FRANCE 95301 PONTOISE	
DIMENSIONS: mm 		TOLERANCES UNLESS OTHERWISE SPECIFIED: (SUIV NB DE DECIMALES) 0 PLC/DEC: ± 1 PLC/DEC: ±0.3 2 PLC/DEC: ± 3 PLC/DEC: ± 4 PLC/DEC: ± ANGLES: ±5°		NAME TITRE HE 1402 PLUG, 180 deg IDC SINGLE ROW	
MATERIAL/MATIERE 		FINISH/FINITION 		PRODUCT SPEC SPEC. PRODUIT 108-15053 APPLICATION SPEC SPEC. APPLICATION WEIGHT MASSE APPROX. - SIZE FORMAT A2 CAGE CODE 00779 DRAWING NO No PLAN C-281783 RESTRICTED TO RESERVE A -	
CUSTOMER DRAWING /PLAN CLIENT		UNIQUEMENT POUR REFERENCE		SCALE ECHELLE 5:1 SHEET FEUILLE OF DE REV C	