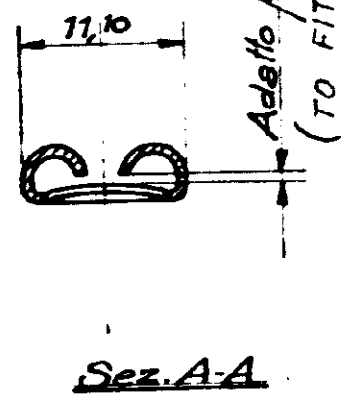
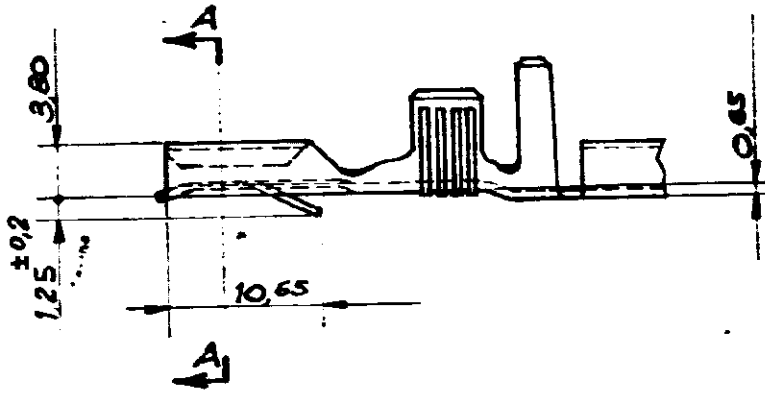
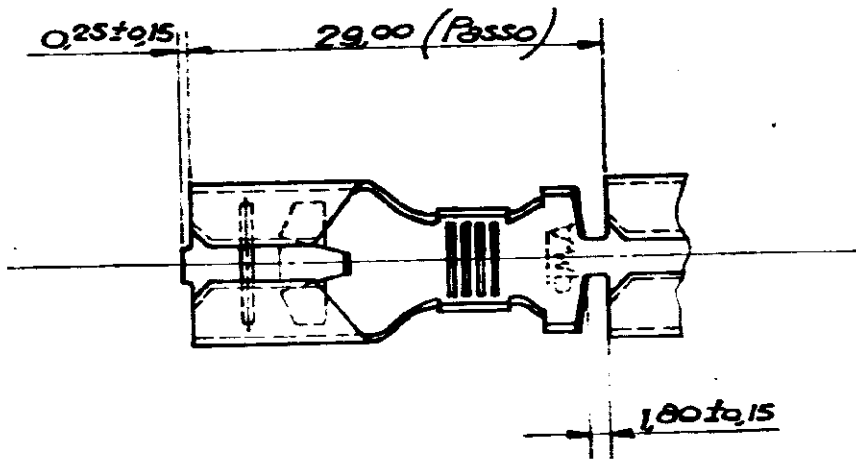


280756



PROIEZIONE AMERICANA

IN MM. DO NOT SCALE

		<p>© 1976 by AMP Incorporated. All rights reserved. AMP products covered by patents and/or patents pending.</p>		<p>CUSTOMER COPY REFERENCE ONLY</p>	
		<p>MATERIALS LIST</p> <p>1 OTTONE</p> <p>2 OTTONE STAGNATO</p> <p>3 BRONZO FOSFOROSO</p> <p>4 BRONZO FOSF STAGNATO</p>		<p>AMP TALK</p>	
<p>B DIM. 1,25 ± 0,2 NAS. 1,40</p> <p>A IN PRODUZIONE</p> <p>1 P/N ERA 1A-76-5207</p>		<p>16/11/82</p> <p>29-25-76</p> <p>20/2/86</p> <p>4x6 mm<sup>2</sup> φ 3,8-5,1mm</p> <p>± 0,3</p> <p>2:1</p>		<p><b>AMP</b></p> <p>TYPE</p> <p>I A 280756 E</p>	
<p>ORDER JULY 1976</p> <p>29/2/76</p>		<p>NAME</p> <p>375 SERIES FAST-IN-FASTON RECEPTACLE</p>			