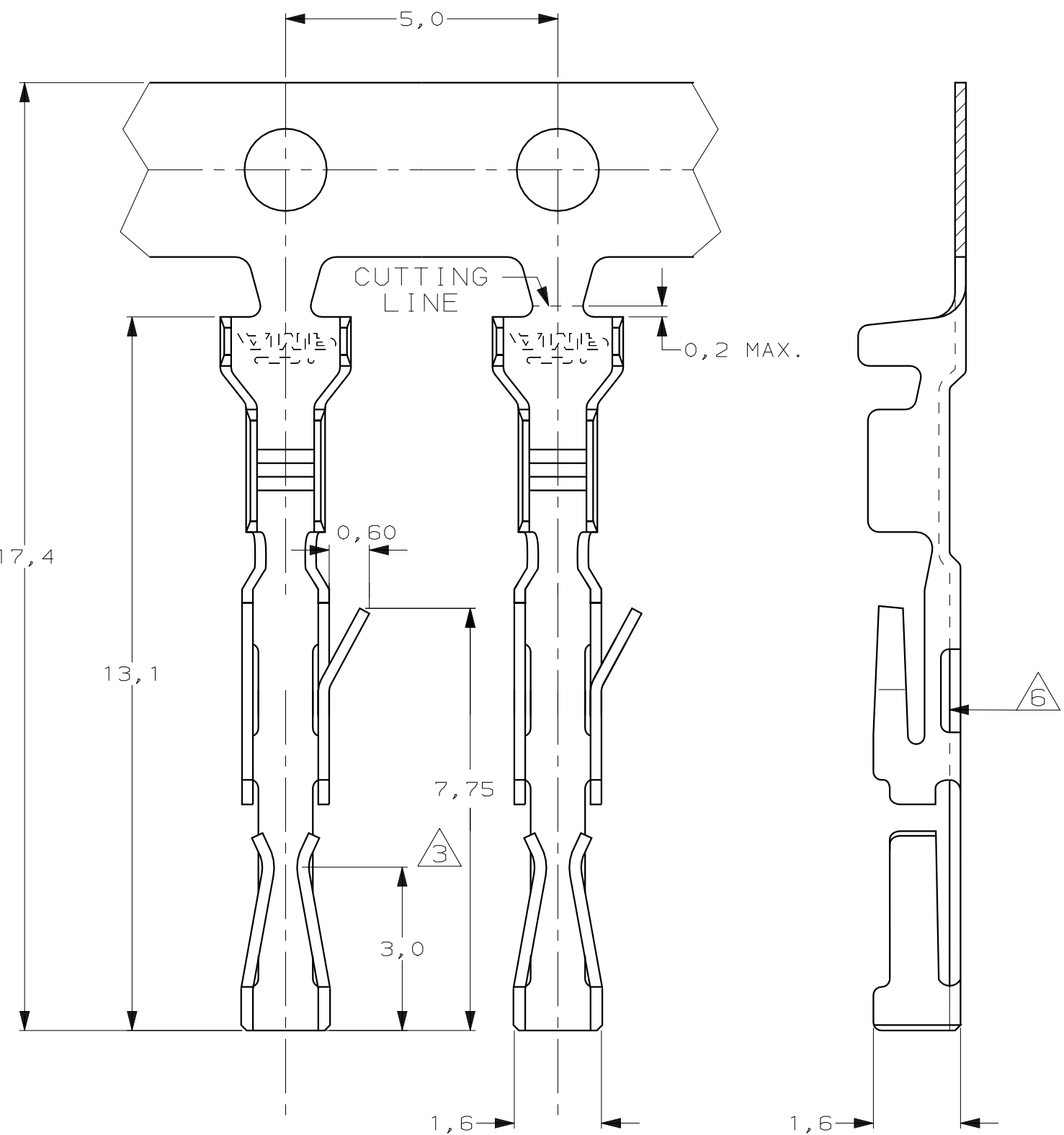


THIS DRAWING IS UNPUBLISHED.
 DIFFUSION RESÉINTE AMP
 © COPYRIGHT BY TYCO ELECTRONICS CORP. ALL RIGHTS RESERVED.
 TOUS DROITS RESERVES

RELEASED FOR PUBLICATION ,19

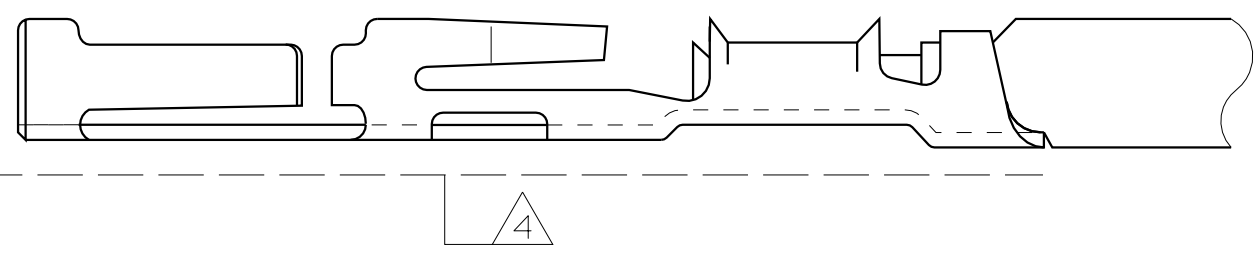
LOC		DIST		REVISIONS			
P	LTR REV	DESCRIPTION MODIFICATIONS	DATE	DWN DESS.	APVD APP.		
F	7						
	E	REVISED	22-NOV-04	JD	-		
	F	UPDATED FINISH	29-MAR-06	JJD	YP		



NOTES:

- 1 CONTACT MATERIAL: PHOSPHORBRONZE
- 2 PLATING: UNDERCOATING 1,3 μm Ni OVERALL
 AT CONTACTPLACE 0,8 μm Au
 AT CRIMPBARRELS 2,5 μm Sn
- 3 CONTACT POINT
- 4 BOTTOM OF CONTACT TO BE STRAIGHT
 AFTER CRIMPING OF WIRE
- 5 WIRE RANGE: 0,08-0,22mm²
 INSULATION RANGE: 0,80-1,50 DIA.
- 6 OPTIONAL
- 7 THE CONTACT MEETS THE REQUIREMENT OF
 INTERNATIONAL STANDARD IEC 603-8

LOOSE PIECE	2	1	182734-3
STRIP	2	1	188746-1
CONFIGURATION	FINISH	MATERIAL	PARTNUMBER



THIS DRAWING IS A CONTROLLED DOCUMENT.
 CE PLAN EST UN DOCUMENT CONTROLE.

DIMENSIONS: mm	TOLERANCES UNLESS OTHERWISE SPECIFIED. TOLERANCES NON SPECIFIEES (SUIV NB DE DECIMALES): 0-PLC/DEC: ± 1-PLC/DEC: ±0.3 2-PLC/DEC: ± 3-PLC/DEC: ± 4-PLC/DEC: ± ANGLES ±1	DWN/DESSINE JJ DESPRETZ CHK/VERIFIE T CORRIOU APVD/APPROUVE Y PETRONIN PRODUCT SPEC SPEC. PRODUIT APPLICATION SPEC SPEC. APPLICATION WEIGHT MASSE APPROX. -	22-NOV-04 TYCO ELECTRONICS FRANCE SAS BP 39, 95301 CERGY-PONTOISE CEDEX
MATERIAL MATIERE -	FINISH FINITION -	SIZE FORMAT A3	NAME TITRE HE 1302 CONNECTOR (GOLD VERSION) CRIMP CONTACT (AWG 28-24)
CUSTOMER DRAWING/PLAN CLIENT		UNIQUEMENT POUR REFERENCE	SCALE ECHELLE 1:1
		SHEET FEUILLE 1 OF 1 DE 1	REV F