

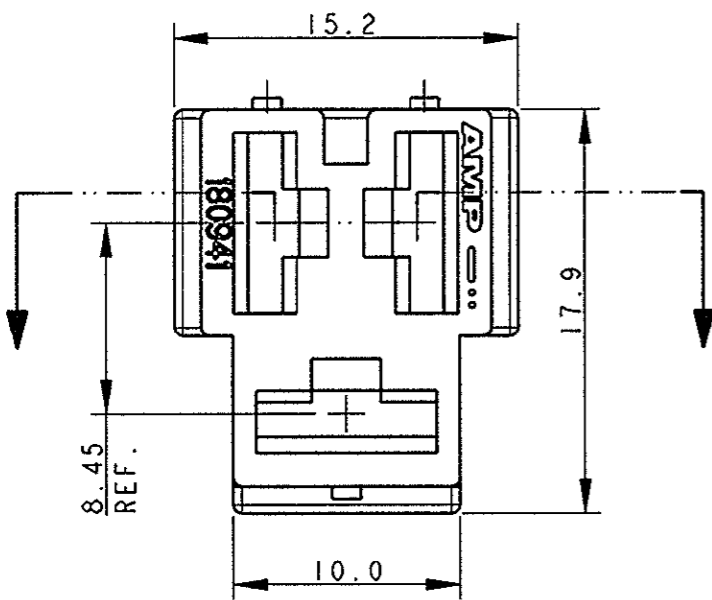
THIS DRAWING IS UNPUBLISHED.

RELEASED FOR PUBLICATION

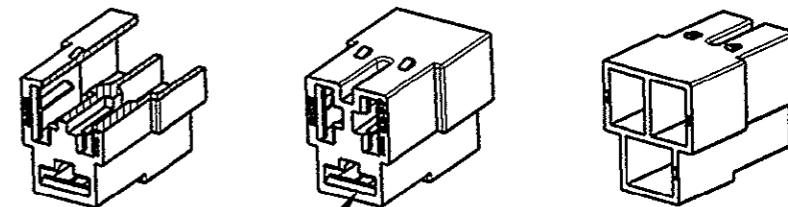
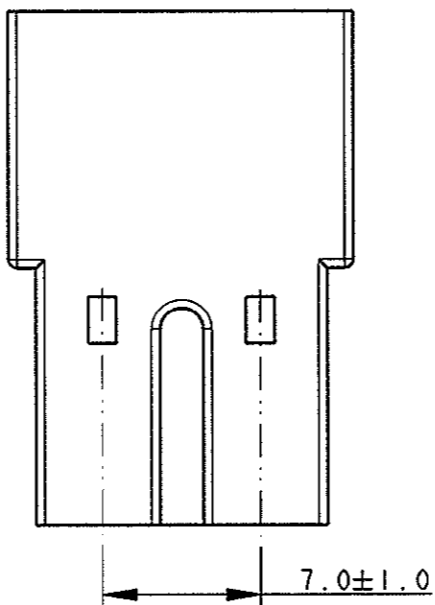
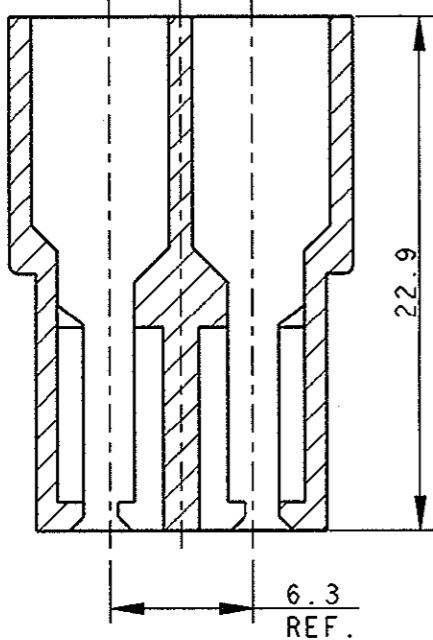
2002

© COPYRIGHT 2002 BY TYCO ELECTRONICS CORPORATION. ALL RIGHTS RESERVED.

LOC	DIST	REVISIONS					
		P	LTR	DESCRIPTION	DATE	DWN	APVD
1	-	P2		REDRAWN, ET00-0098-02	20 SEP 2002	HY	CT
		P3		ADDED 2-...-0, ET00-0041-03	24 MAR 2003	HY	CT
		P4		CLARIFIED, ET00-0118-03	11 JUL 2003	HY	CT
		P5		RELEASED -20, ET00-0090-04	29 APR 04	HY	CT



SECTION A - A

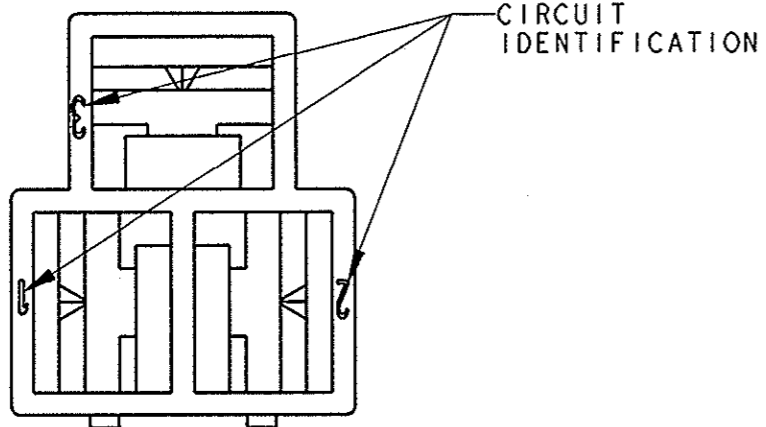


TIPICA CAVITA' PER TERMINALE TE AMP  
 FASTIN-FASTON SR. 6.35 mm  
 (TYPICAL CAVITY FOR TE AMP CONTACT  
 FASTIN-FASTON .250" SRS.)

SCALE 1:1

- 1 PA 6.6 UNFILLED, UL 94-V2.
- 2 PA 6 UNFILLED, GLOW WIRE TEST AT 750°C
- 3 NON ANCORA RILASCIATO IN PRODUZIONE (NOT YET RELEASED FOR PRODUCTION)

	NATURALE (NATURAL)	1	2-180941-0	P
	NATURALE (NATURAL)		1-180941-0	O
	ARANCIONE (ORANGE)		0-180941-9	O
	VIOLA (VIOLET)		0-180941-8	O
	MARRONE (BROWN)		0-180941-6	P
	NERO (BLACK)		0-180941-5	P
	GIALLO (YELLOW)		0-180941-4	O
	BLU (BLUE)		0-180941-3	O
	VERDE (GREEN)		0-180941-2	O
	ROSSO (RED)		0-180941-1	P
	NATURALE (NATURAL)	0-180941-0	P	
NOTE	COLORE (COLOUR)	MATERIALE (MATERIAL)	P/N	REV



THIS DRAWING IS A CONTROLLED DOCUMENT FOR TYCO ELECTRONICS CORPORATION IT IS SUBJECT TO CHANGE AND THE CONTROLLING ENGINEERING ORGANIZATION SHOULD BE CONTACTED FOR THE LATEST REVISION.

DIMENSIONS:	TOLERANCES UNLESS OTHERWISE SPECIFIED:	DWN	H. YAALI	24 JUL 2002		tyco Electronics AMP ITALIA S.p.A. Corso F.lli Cervi, 15 COLLEGNO (TO)
mm	0 PLC ±-	CHK	C. TARTARI			
	1 PLC ±0.3	APVD			NAME	FASTIN-FASTON* Connector, .250" sr. REC HOUSING 3 WAY
	2 PLC ±-	PRODUCT SPEC	108-20020		SIZE	A3
	3 PLC ±-	APPLICATION SPEC			CAGE CODE	00779
	4 PLC ±-				DRAWING NO	C=180941
	ANGLES ±2°	WEIGHT	2.3 g		RESTRICTED TO	-
MATERIAL	SEE TABLE	FINISH			CUSTOMER DRAWING	
					SCALE	3:1
					SHEET	1 OF 1
					REV	P5