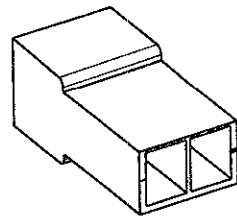
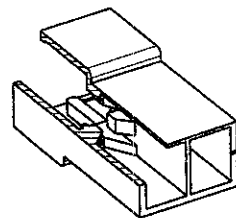
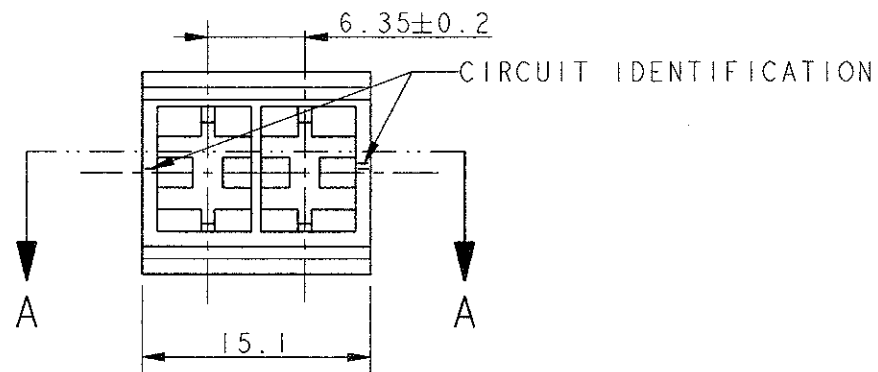
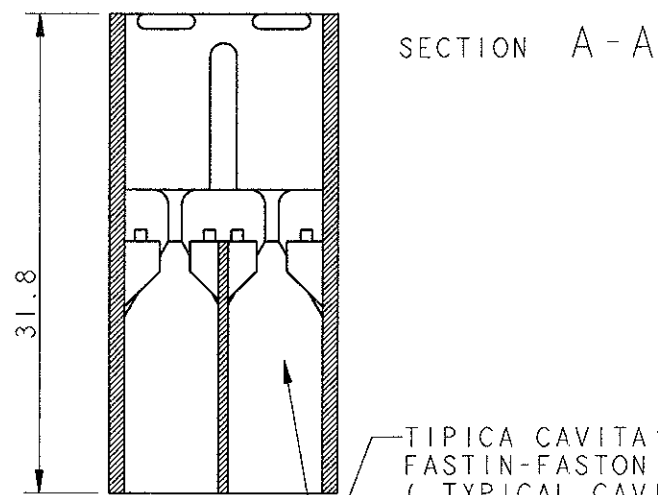


LOC	DIST	REVISIONS					
		P	LTR	DESCRIPTION	DATE	DWN	APVD
1	-	AM5		REDRAWN, ET00-0098-02	20 SEP 2002	HY	CT
		AM6		REVISED, ET00-0245-02	17 DEC 2002	HY	CT

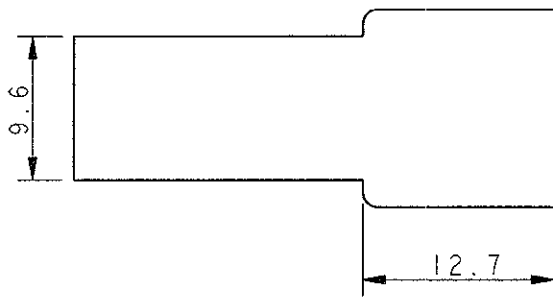
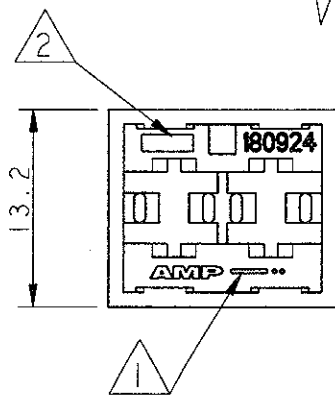


SCALE 1:1

- 1 MARCHIO DI FABBRICA AMP (AMP TRADE MARK)
- 2 NUMERO DI IMPRONTA STAMPO (MOULD CAVITY IDENTIFICATION NO.)
- 3 RISERVATO PER AMP JAPAN (RESTRICTED FOR AMP JAPAN)
- 4 NON DISPONIBILE DA AMP ITALIA (NO MORE AVAILABLE FROM AMP ITALY)
- 5 RISERVATO PER AMP DE FRANCE (RESTRICTED FOR AMP DE FRANCE)
- 6 P/Ns 180924-0/-1/-5/2-...-0: DISPONIBILE DA AMP GB VERSIONE CON CAVITA' ASIMMETRICHE, RISPETTIVAMENTE CON I P/Ns 1337024-1/-2/-3/-4. (P/Ns 180924-0/-1/-5/2-...-0: ASYMMETRIC CAVITIES VERSION AVAILABLE FROM AMP GB RESPECTIVELY WITH P/Ns 1337024-1/-2/-3/-4).
- 7 ACCEPTED ONE RETENTION RIB FOR THE TOTAL LENGTH OF THE HOUSING ON BOTH SIDES.

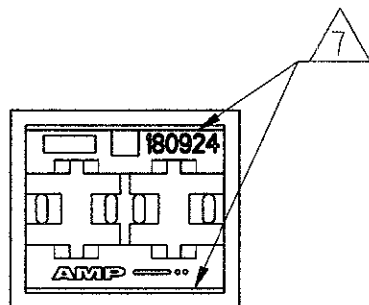


TIPICA CAVITA' PER TERMINALE AMP FASTIN-FASTON SR. 6.35mm. (TYPICAL CAVITY FOR AMP CONTACT FASTIN-FASTON .250" SRS.)



NOTE	COLORE (COLOUR)	MATERIALE (MATERIAL)	REV.	NUMERO (PART NUMBER)
3	NATURALE (NATURAL)	PA 6.6 (VERGINE) (PA 6.6, VIRGIN)	AM	9-180924-0
4	NATURALE (NATURAL)	PA 6.6 UL94-V0 (PA 6.6 UNFILLED UL94-V0)	AM	4-180924-0
5	NATURALE (NATURAL)	PA 6.6 (PA 6.6 UNFILLED)	AM	3-280924-0
4	VIOLETTO (VIOLET)	PA 6.6 (PA 6.6 UNFILLED)	AM	0-180924-8
4	MARRONE (BROWN)		AM	0-180924-6
6	NERO (BLACK)		AM	0-180924-5
4	GIALLO (YELLOW)		AM	0-180924-4
6	ROSSO (RED)		AM	0-180924-1
6	NATURALE (NATURAL)		AM	0-180924-0

ALTERNATIVE VIEW FOR RETENTION RIBS



THIS DRAWING IS A CONTROLLED DOCUMENT FOR TYCO ELECTRONICS CORPORATION. IT IS SUBJECT TO CHANGE AND THE CONTROLLING ENGINEERING ORGANIZATION SHOULD BE CONTACTED FOR THE LATEST REVISION.

DIMENSIONS:	TOLERANCES UNLESS OTHERWISE SPECIFIED:
mm	0 PLC ±-
	1 PLC ±0.3
	2 PLC ±-
	3 PLC ±-
	4 PLC ±-
	ANGLES ±2°
MATERIAL	FINISH
SEE TABLE	SEE TABLE

DWN H. YAALI 09 JUL 2002
 CHK C. TARTARI
 APVD -
 PRODUCT SPEC 108-20020
 APPLICATION SPEC -
 WEIGHT 2.2 g

tyco Electronics tyco Electronics AMP ITALIA S.p.A.
 Corso F.lli Cervi, 15 COLLEGNO (TO)

FASTIN-FASTON* Connector, .250" srs. TAB HOUSING, 2 POSITIONS

SIZE	CAGE CODE	DRAWING NO	RESTRICTED TO
A3	00779	C-180924	-

CUSTOMER DRAWING SCALE 2:1 SHEET 1 OF 1 REV AM6