

4

3

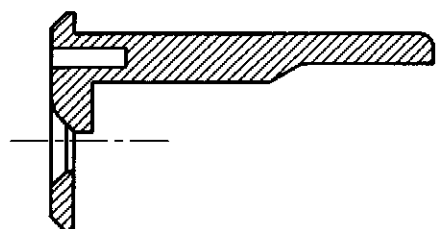
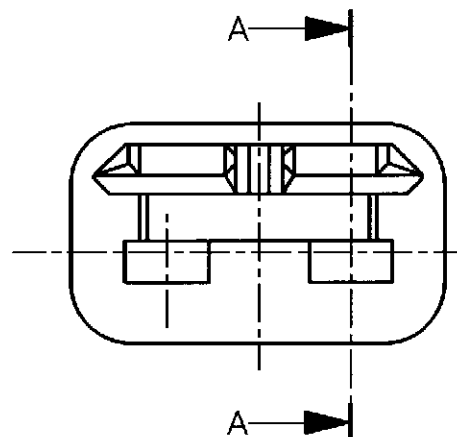
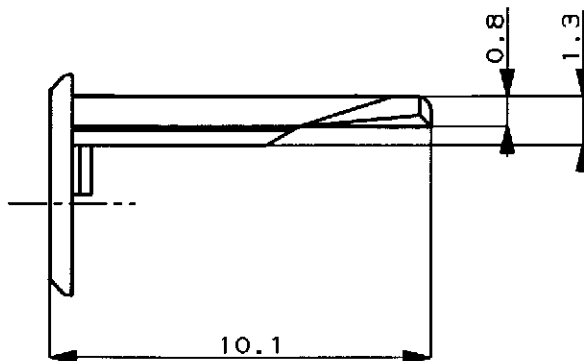
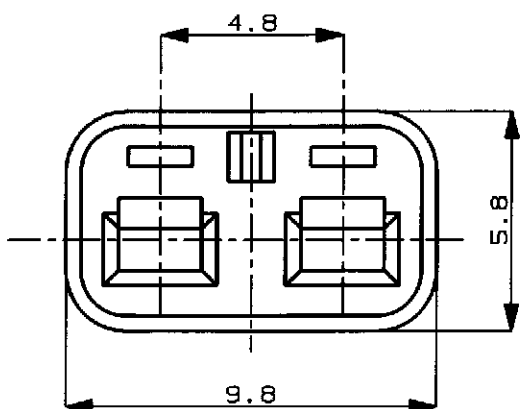
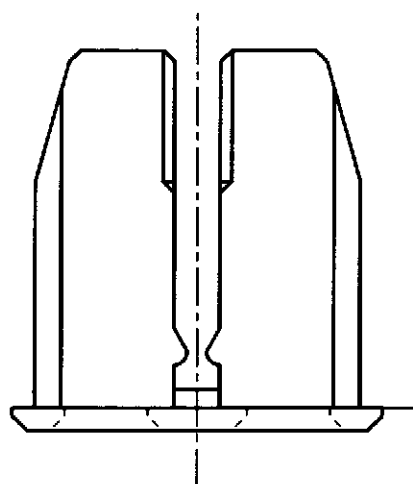
2

1

NUMBER C-174353



METRIC



SECTION 断面 A-A

注 :  
1. 本品はプラグハウジングP/N174352  
に装着される

NOTE ;  
1. TO BE MATED WITH PLUG HOUSING (P/N174352)

PBT	(NATURAL) 自然色	1-174353-1
PBT, 難燃材	(YELLOW) 黄	174353-7
MATERIAL 材料	HOUSING COLOR ハウジング色	P/N

© 19 BY AMP (Japan) LTD.  
ALL RIGHTS RESERVED.  
AMP PRODUCTS COVERED BY PATENTS  
AND OR PATENTS PENDING

**AMP**

AMP (JAPAN), LTD.  
Tokyo, Japan

WIRE RANGE				INSULATION DIA		NAME		2P. ECONOSEAL J-MARK II+ CONNECTOR	
mm <sup>2</sup> (AWG)				mmφ		2極 エコノシール J マーク II+ DOUBLE LOCK PLATE FOR PLUG HOUSING プラグ用ダブルロックプレート			
C	REVISED	FJ00-0601-98	AY	AG	12/12	MATERIAL	COLOR	GENERAL TOLERANCE	
B	ADDED	FJ00-3794-95	MT	AT	5/29	SEE TABLE	SEE TABLE	SIZE LOC NUMBER	
A	変更REVISED	(J-10812)	KO	YM	8/19	表参照	表参照	A3 J C-174353	
O	作成RELEASED		KO	YM	8/24	DR. K. Oda	DE. K. Oda	SCALE	
LTR	REVISION RECORD		DR	CHK	DATE	CHK. M. Nishizaki	APP. M. Nishizaki	5:1	
								REV. C SHEET 1 OF 1	

CUSTOMER DRAWING

DIMENSIONS IN MILLIMETERS. DO NOT SCALE PRINT

PRINT DIST