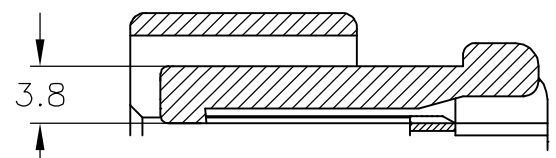
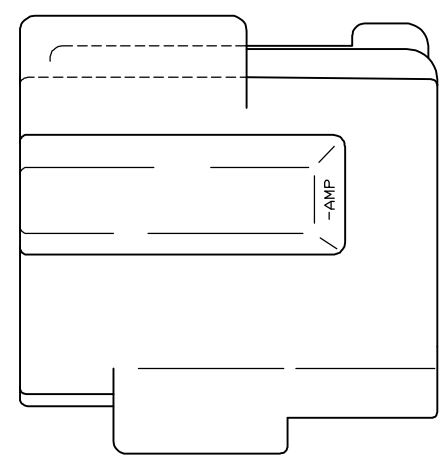
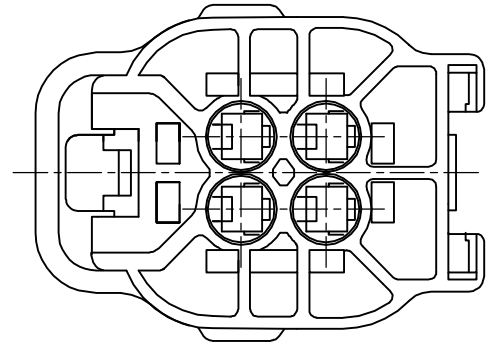
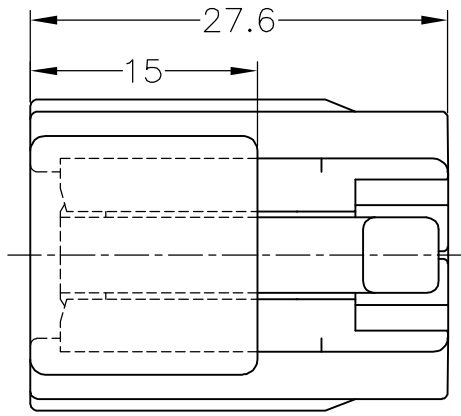
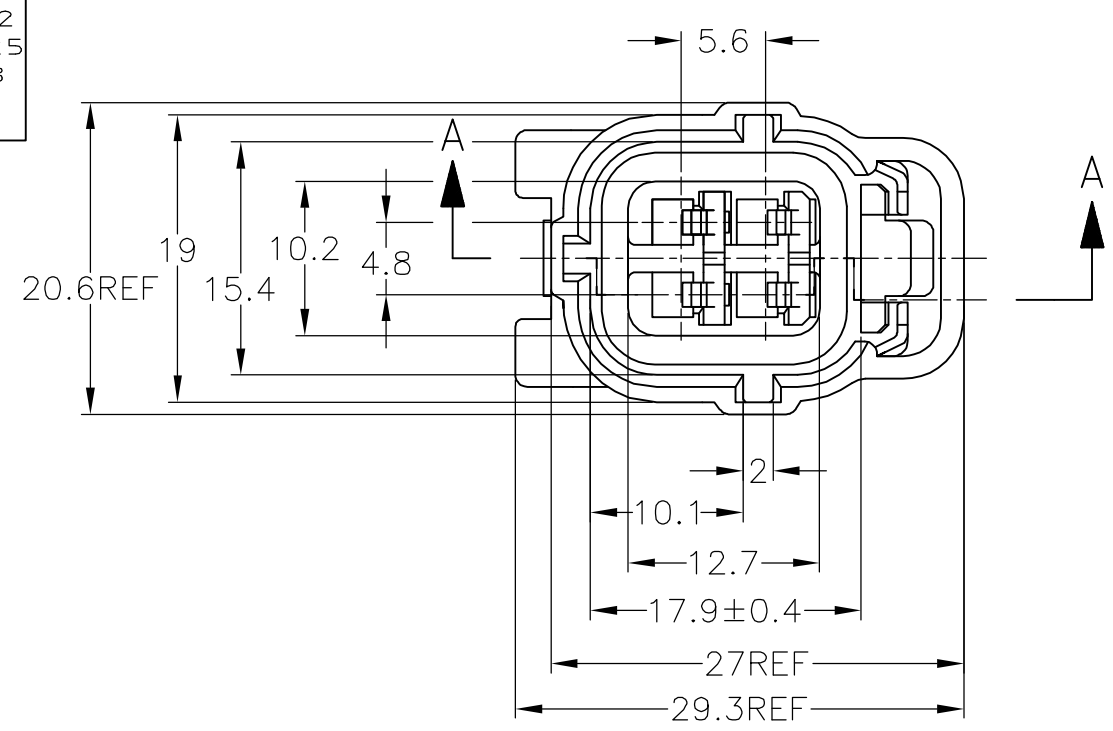


THIS DRAWING IS UNPUBLISHED. RELEASED FOR PUBLICATION  
 © COPYRIGHT BY TYCO ELECTRONICS CORPORATION. ALL RIGHTS RESERVED.

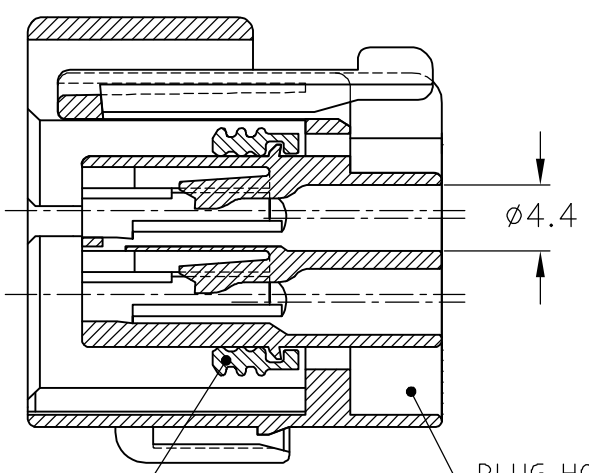
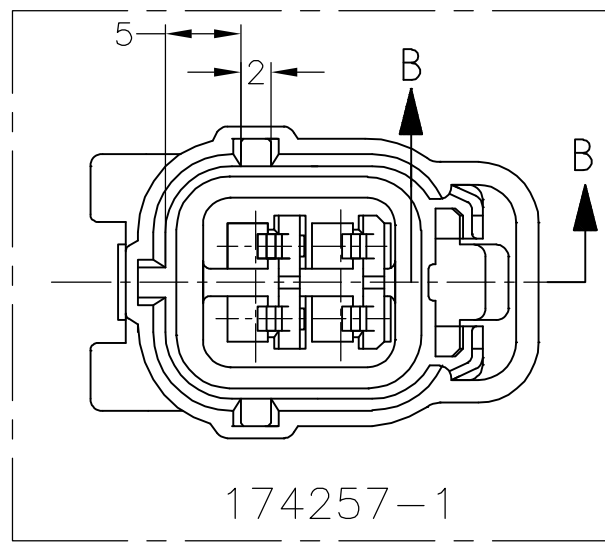
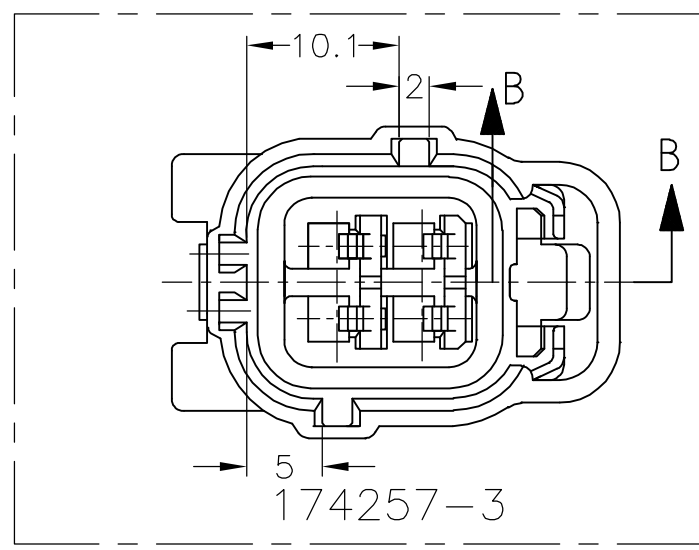
LOC J DIST -

REVISIONS		DATE	DWN	APVD
P	LTR	DESCRIPTION		
C	-1 追加	FJA0-0121-04	23FEB04	DM KS
D	-3, -4追加	ECR-05-006572	07NOV05	DM YF

TOLERANCE UNLESS OTHERWISE SPECIFIED:  
 一般公差  
 0 < x ≤ 10 : ± 0.2  
 10 < x ≤ 30 : ± 0.25  
 30 < x < 100 : ± 0.3  
 ANGLE : ± 3°  
 角度



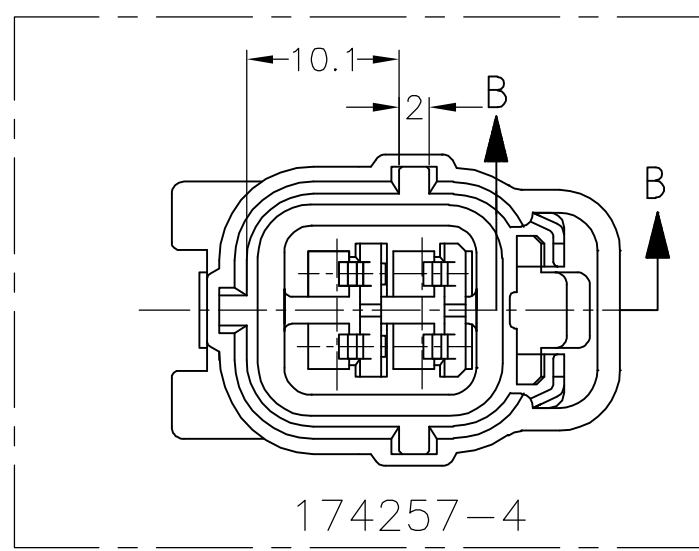
174257-2,1-174257-2



- 1. 嵌合相手型番 : 174259, 173915
- 2. 本品はプラグハウジング単体にシールリングがアッセンブリされたものである。
- 3. 本品はダブルロックプレート型番 174258を装着して使用する。

- 1. FOR CAP HOUSING PN 174259, 173915
- 2. THIS PART IS COMPOSED OF PLUG HOUSING AND SEAL RING
- 3. THIS PART MUST BE USED WITH DOUBLE LOCK PLATE PN 174258

黒 BLACK	174257-4
濃灰 DARK GRAY	174257-3
黒 BLACK	1-174257-2
黒 BLACK	174257-2
灰 GRAY	174257-1
色 COLOR	型番 PN

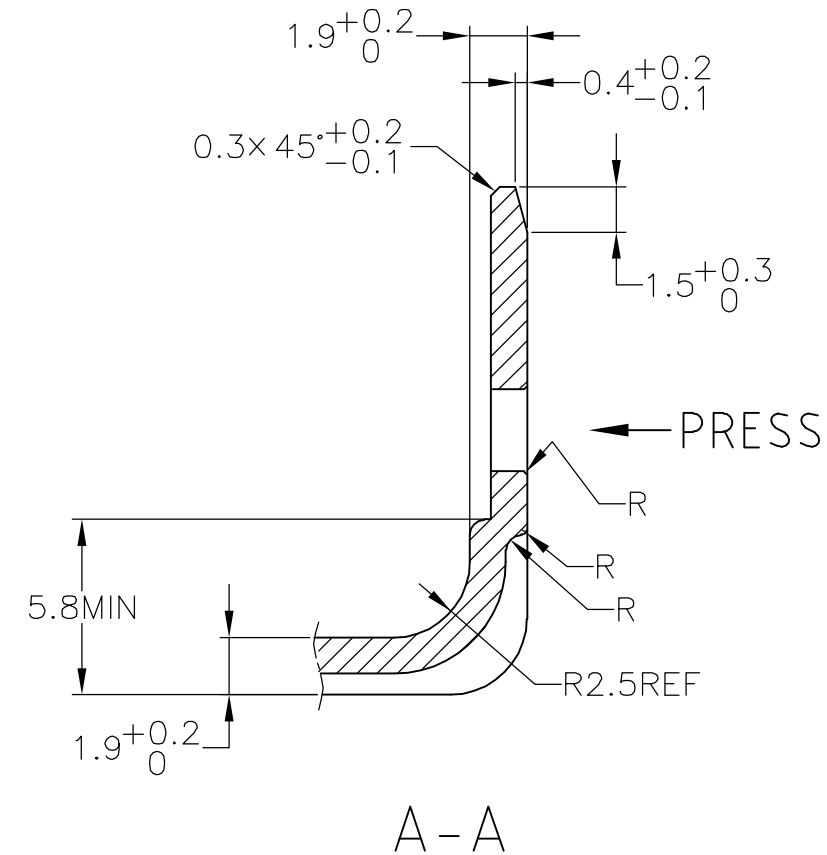
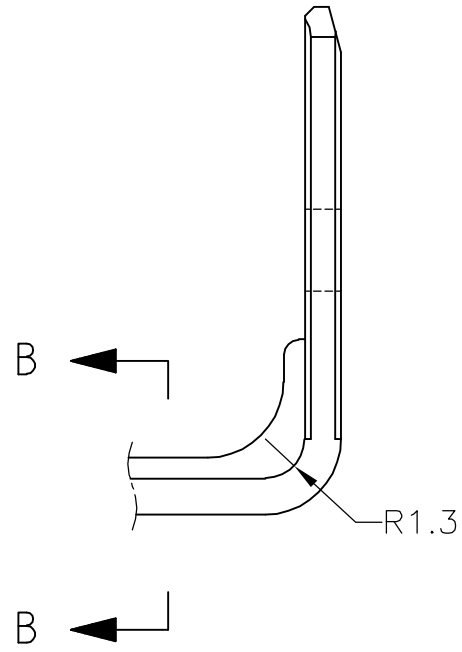
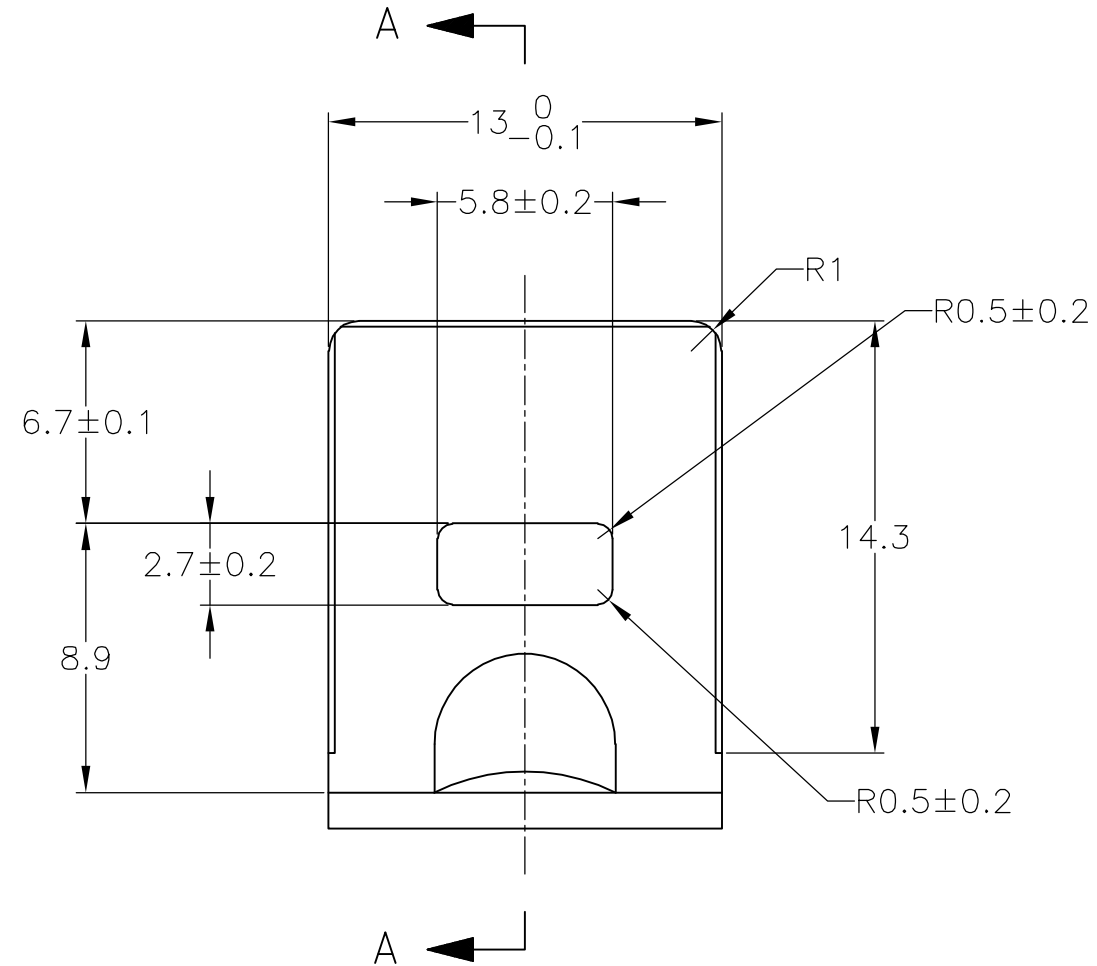
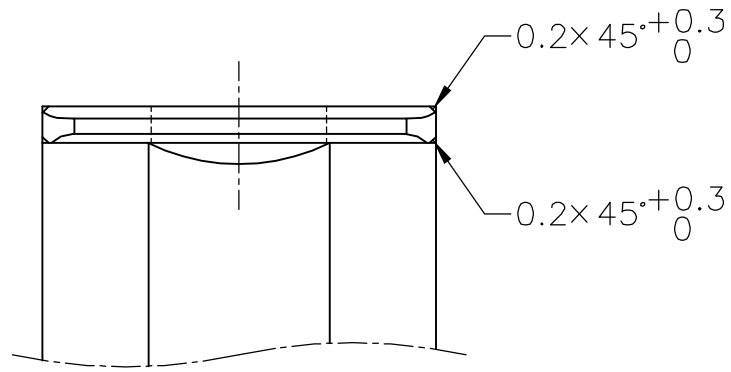


THIS DRAWING IS A CONTROLLED DOCUMENT.		DWN T.SHINOHARA 09FEB04	Tyco Electronics AMP K.K. Kawasaki, Japan	
DIMENSIONS: 単位: 耗 MM		CHK K.BETSUI 09FEB04		
TOLERANCES UNLESS OTHERWISE SPECIFIED: 一般公差		APVD K.BETSUI 09FEB04	NAME 4Pos. ECONOSEAL J-MARKII+ CONNECTOR PLUG HOUSING	
0 PLC ± -		PRODUCT SPEC 108-5262	SIZE A3	
1 PLC ± -		APPLICATION SPEC 114-5082	CAGE CODE 00779	DRAWING NO C-174257
2 PLC ± -		取付適用規格	RESTRICTED TO -	
3 PLC ± -		WEIGHT 7.9g	SCALE 2:1	
4 PLC ± -		MATERIAL PBT	SHEET 1 OF 2	
ANGLES ± -		FINISH 仕上	REV D	
CUSTOMER DRAWING				

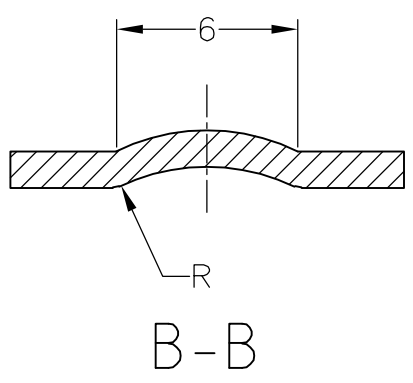
THIS DRAWING IS UNPUBLISHED. RELEASED FOR PUBLICATION  
 © COPYRIGHT BY TYCO ELECTRONICS CORPORATION. ALL RIGHTS RESERVED.

LOC	DIST	REVISIONS					
J	—	P	LTR	DESCRIPTION	DATE	DWN	APVD
		—		SEE SHEET 1	—	—	—

ブラケット推奨寸法図  
 RECOMMENDED DIMENSION OF BRACKET



t = 1.2 ± 0.08



TOLERANCE UNLESS OTHERWISE SPECIFIED: 一般公差

0 < x ≤ 10	: ±0.2
10 < x ≤ 30	: ±0.25
30 < x ≤ 100	: ±0.3
ANGLE ; 角度	: ±3°

THIS DRAWING IS A CONTROLLED DOCUMENT.		DWN T.SHINOHARA 09FEB04	Tyco Electronics AMP K.K. Kawasaki, Japan													
DIMENSIONS: 単位: 耗 mm		CHK K.BETSUI 09FEB04														
TOLERANCES UNLESS OTHERWISE SPECIFIED: 一般公差		APVD K.BETSUI 09FEB04	NAME 4Pos. ECONOSEAL J-MARKII+ CONNECTOR PLUG HOUSING													
<table border="1"> <tr> <td>0 PLC</td> <td>± -</td> </tr> <tr> <td>1 PLC</td> <td>± -</td> </tr> <tr> <td>2 PLC</td> <td>± -</td> </tr> <tr> <td>3 PLC</td> <td>± -</td> </tr> <tr> <td>4 PLC</td> <td>± -</td> </tr> <tr> <td>ANGLES</td> <td>± -</td> </tr> </table>		0 PLC	± -	1 PLC	± -	2 PLC	± -	3 PLC	± -	4 PLC	± -	ANGLES	± -	PRODUCT SPEC 製品規格	SIZE A3	
0 PLC	± -															
1 PLC	± -															
2 PLC	± -															
3 PLC	± -															
4 PLC	± -															
ANGLES	± -															
MATERIAL 材料		APPLICATION SPEC 取付適用規格	CAGE CODE 00779	DRAWING NO 174257												
FINISH 仕上		WEIGHT	RESTRICTED TO													
CUSTOMER DRAWING			SCALE 4:1	SHEET 2 OF 2												