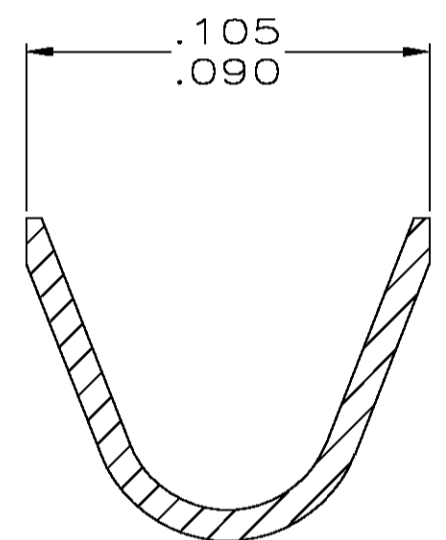
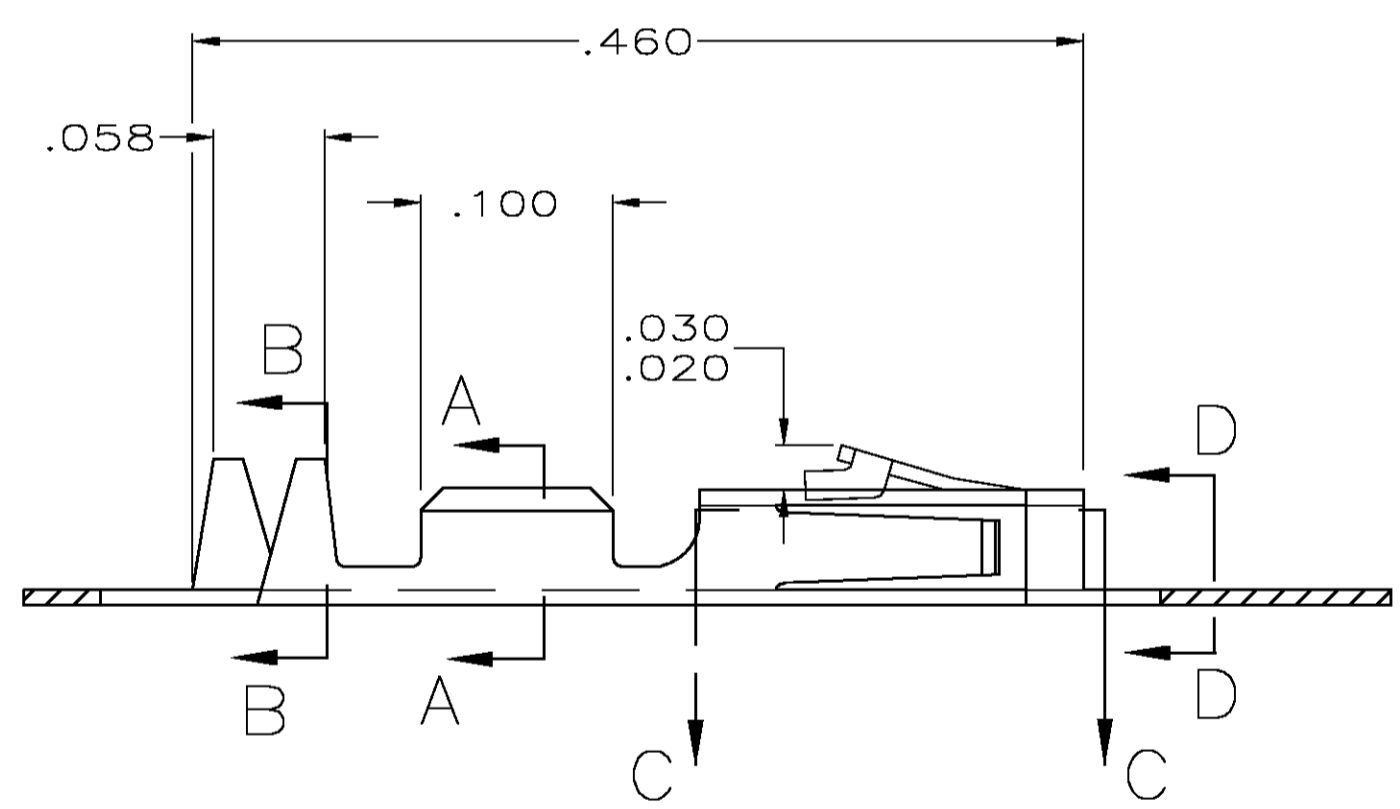
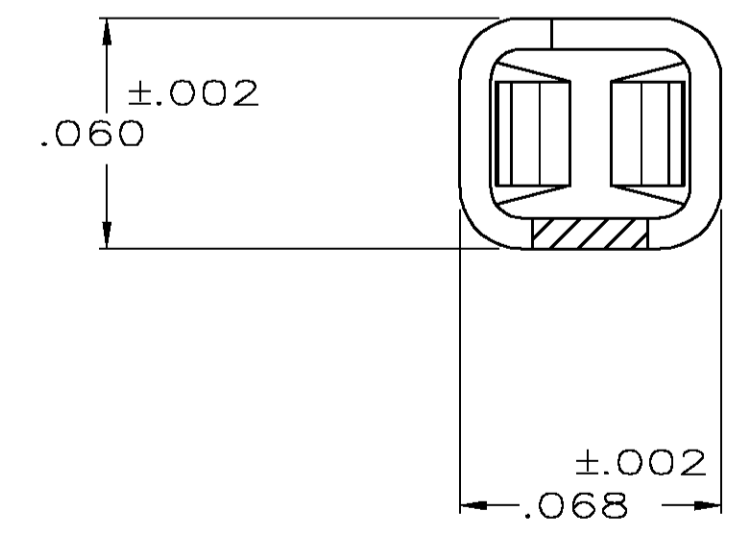
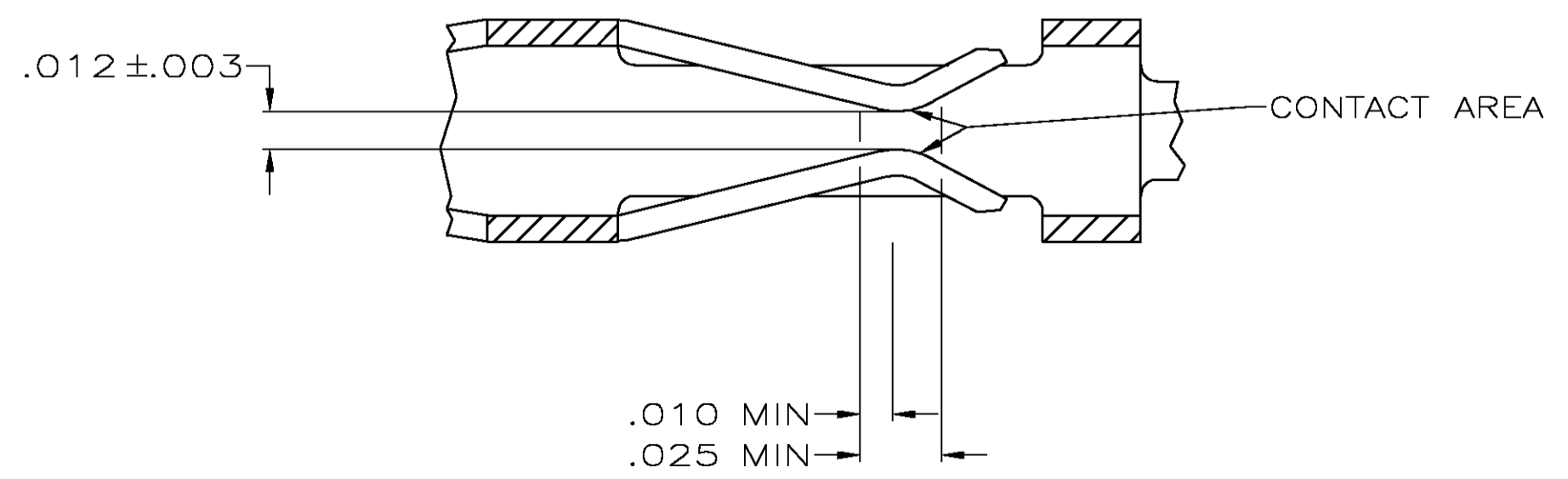


SECTION A-A
SCALE 20:1

- 1 .000100 MIN BRIGHT TIN-LEAD OVER .000050 MIN NICKEL ON ENTIRE CONTACT
- 2 .000050 MIN NICKEL ON ENTIRE CONTACT; .000015 MIN GOLD ON CONTACT AREA; .000050 MIN BRIGHT TIN-LEAD ON AREA M.
- 3 .000050 MIN NICKEL ON ENTIRE CONTACT; .000030 MIN GOLD ON CONTACT AREA; .000050 MIN BRIGHT TIN-LEAD ON AREA M.
- 4 LOOSE PIECE CUT-OFF DIMENSION.
- 5 OBSOLETE PART NUMBER.
- 6 .000015 MIN GOLD ON CONTACT AREA, .000050 MIN BRIGHT TIN ON AREA M, ALL OVER .000050-.000100 NICKEL ON ENTIRE CONTACT.
- 7 .000030 MIN GOLD ON CONTACT AREA, .000050 MIN BRIGHT TIN ON AREA M, ALL OVER .000050-.000100 NICKEL ON ENTIRE CONTACT.
- 8 .000100-.000200 BRIGHT TIN OVER .000050 MIN NICKEL ON ENTIRE CONTACT.



SECTION B-B
INSULATION RANGE .025-.060
SCALE 20:1



SECTION D-D
SCALE 20:1

SECTION C-C
SCALE 20:1

-	8	1-104480-7
LOOSE PIECE	7	1-104480-6
LOOSE PIECE	6	1-104480-5
LOOSE PIECE	8	1-104480-4
-	7	1-104480-3
-	6	1-104480-2
LOOSE PIECE	5	1-104480-1
LOOSE PIECE	5	1-104480-0
LOOSE PIECE	3	104480-9
LOOSE PIECE	2	104480-8
LOOSE PIECE	1	104480-7
-		104480-6
-		104480-5
-	3	104480-4
-	2	104480-3
-	1	104480-2
REMARKS	FINISH	PART NO

THIS DRAWING IS A CONTROLLED DOCUMENT.

DIMENSIONS: INCHES	TOLERANCES UNLESS OTHERWISE SPECIFIED:	0 PLC ± -	1 PLC ± -	2 PLC ± -	3 PLC ± .005	4 PLC ± -	ANGLES ± -
MATERIAL PHOSPHOR BRONZE		FINISH SEE TABLE		WEIGHT -		CUSTOMER DRAWING	

DN C. OBERMAN 5-10-89	Tyco Electronics Corporation Harrisburg, Pa 17105-3508
CHK K. HELM 5-12-89	
APPD R. ELICKER 5-12-89	NAME CONTACT, CRIMP SNAP-IN AMPMODU SHORT POINT, 22-26 AWG
PRODUCT SPEC 108-1472	SIZE CAGE CODE DRAWING NO
APPLICATION SPEC 114-25038	A1 00779 C=104480
RESTRICTED TO	SCALE 10:1 SHEET 1 OF 1 REV R