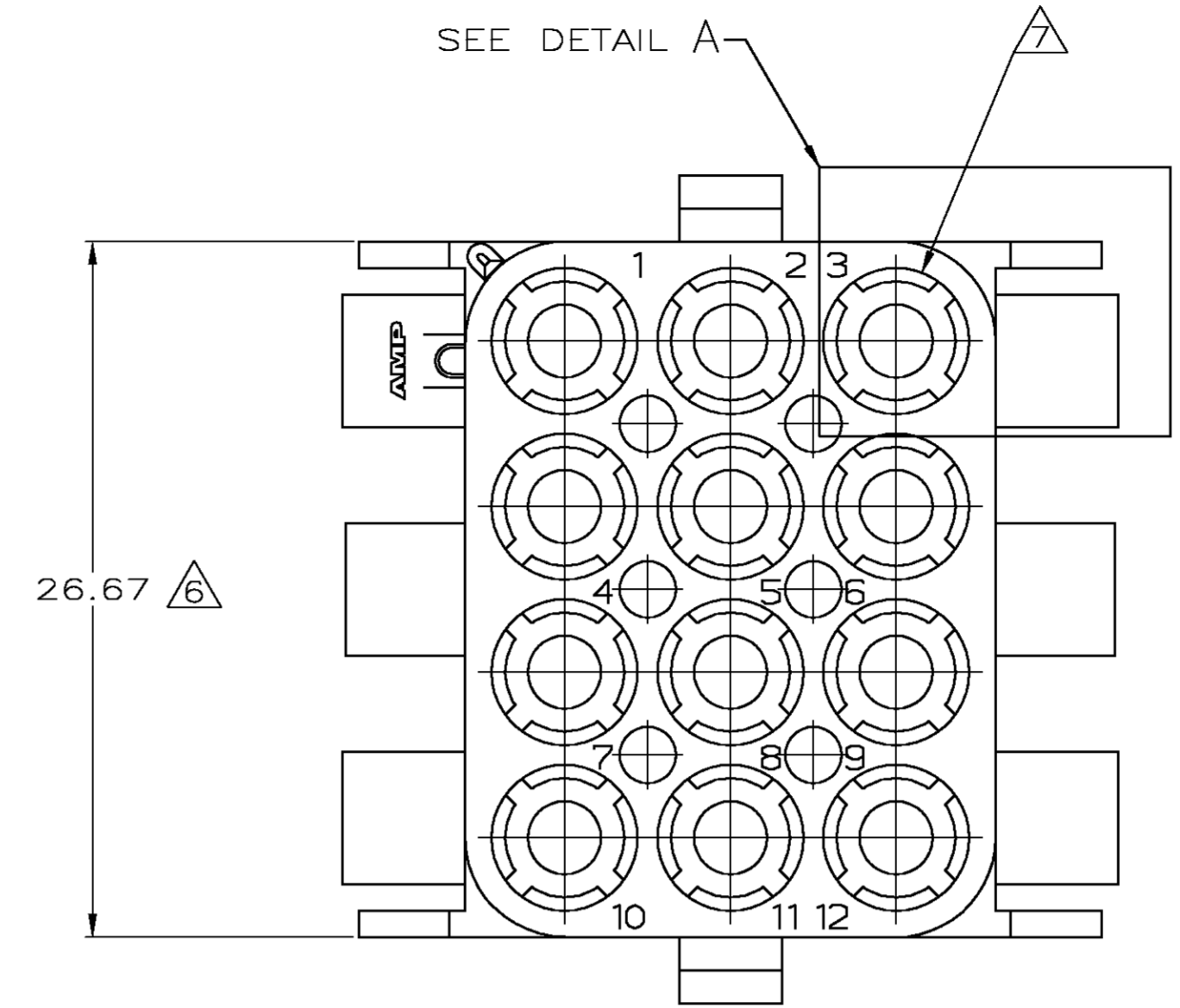
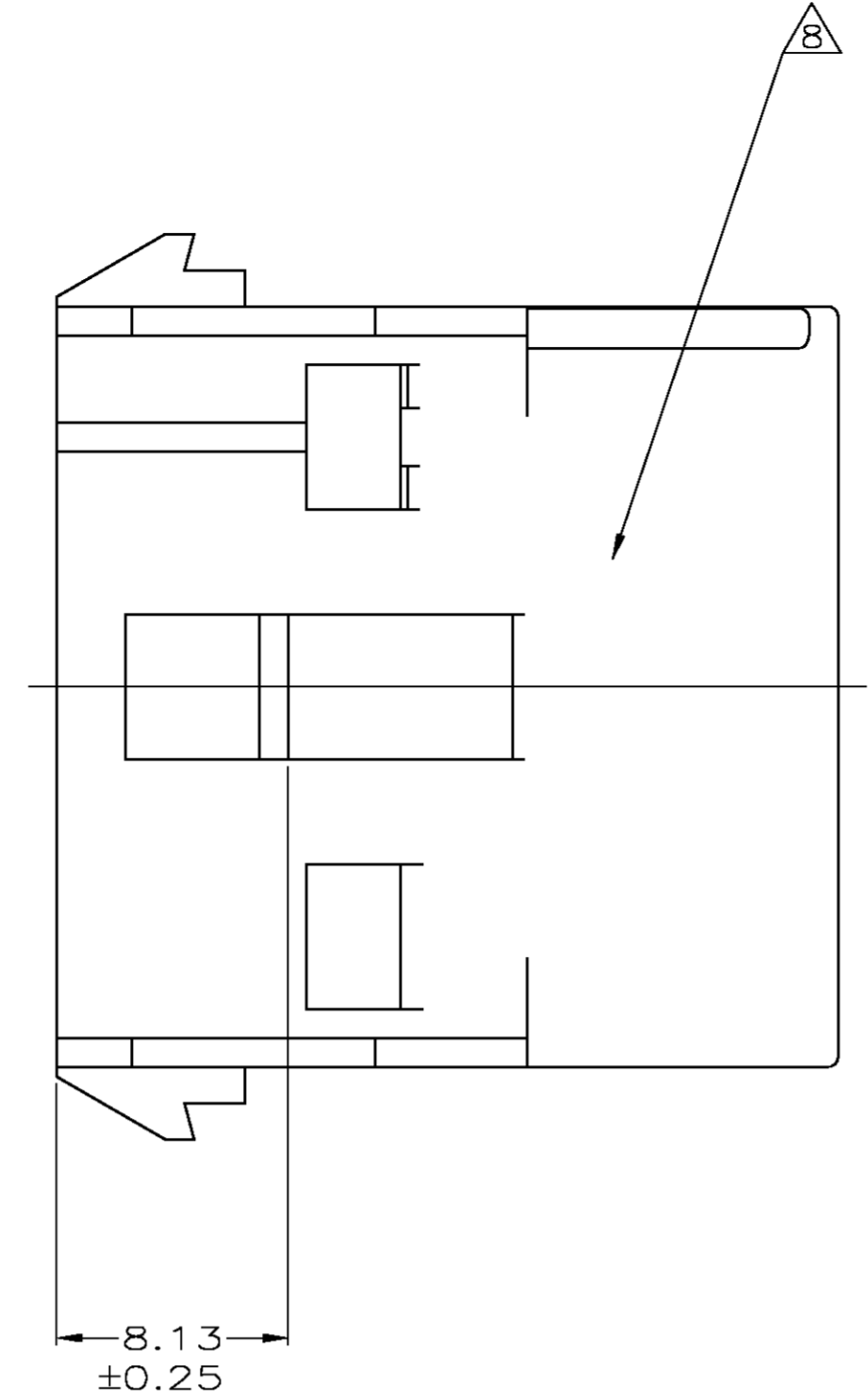
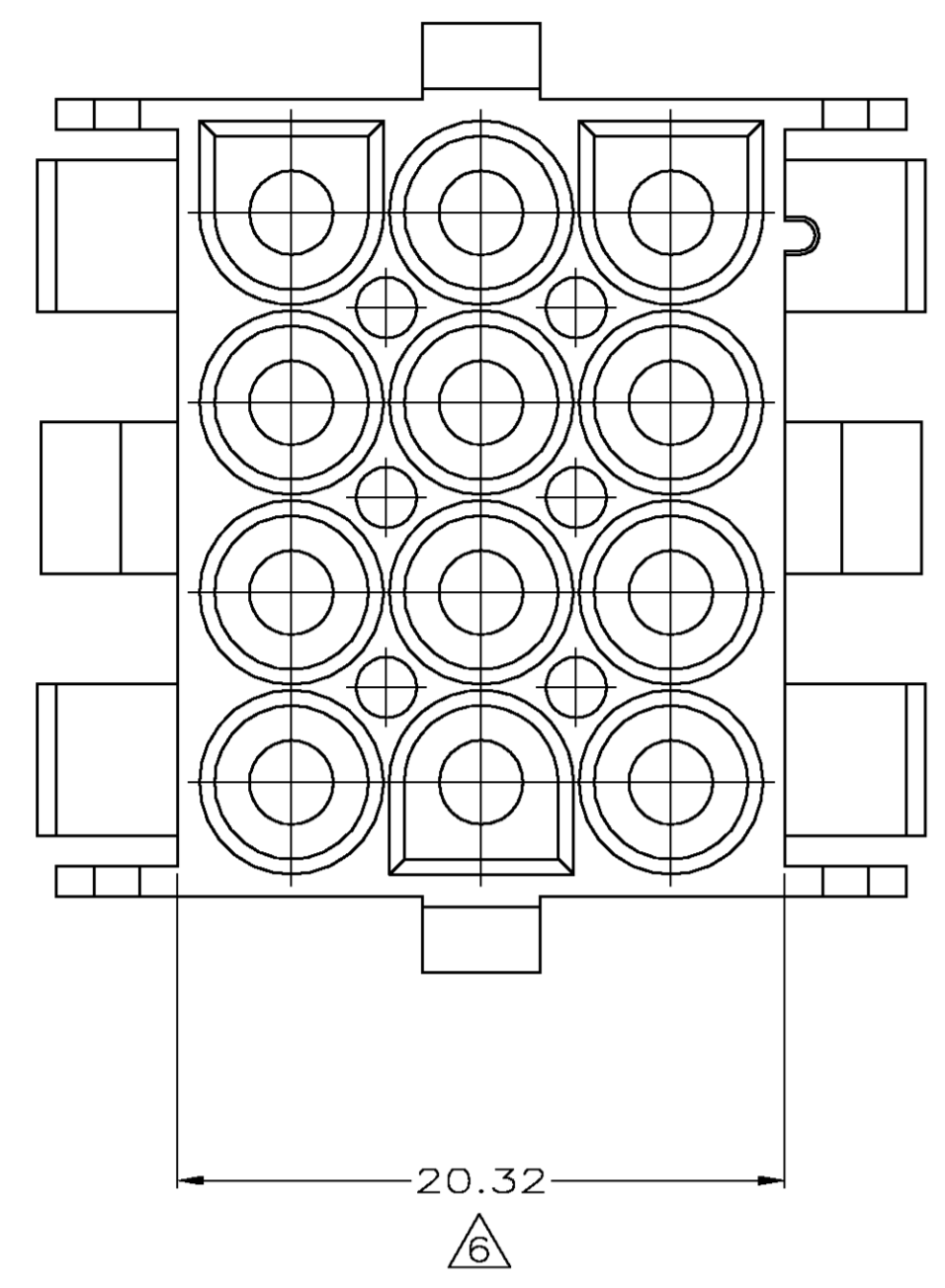
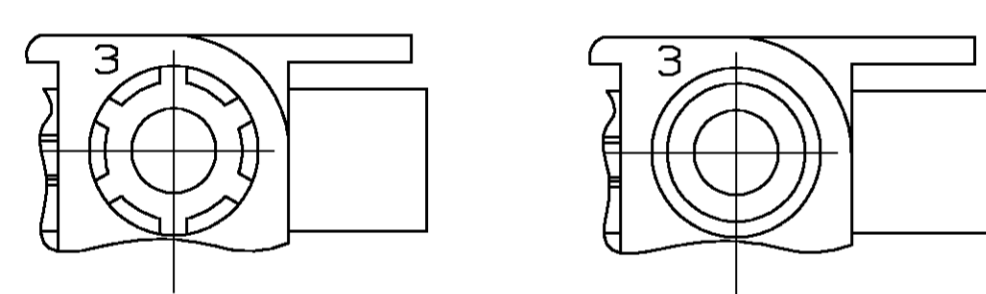


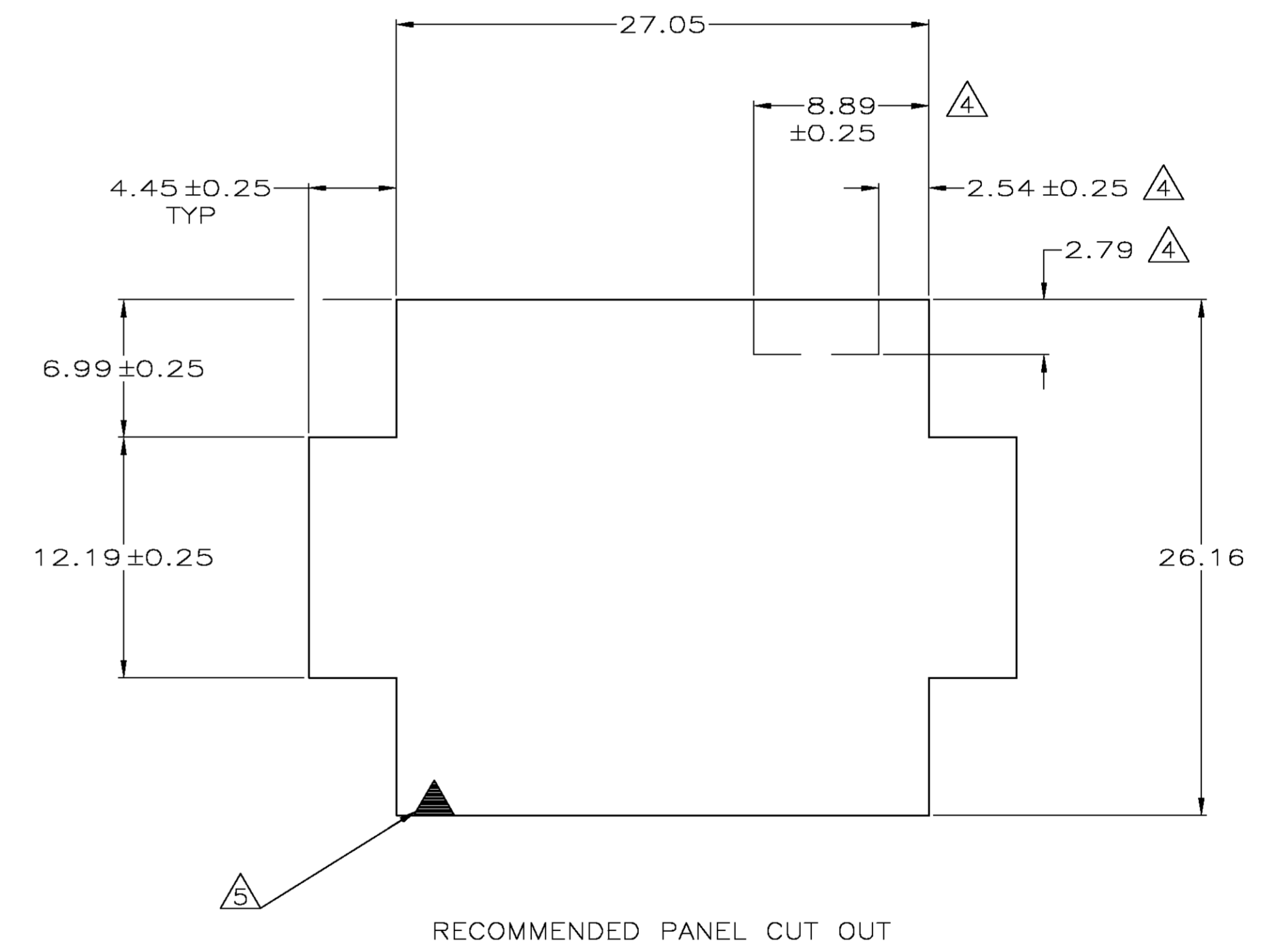
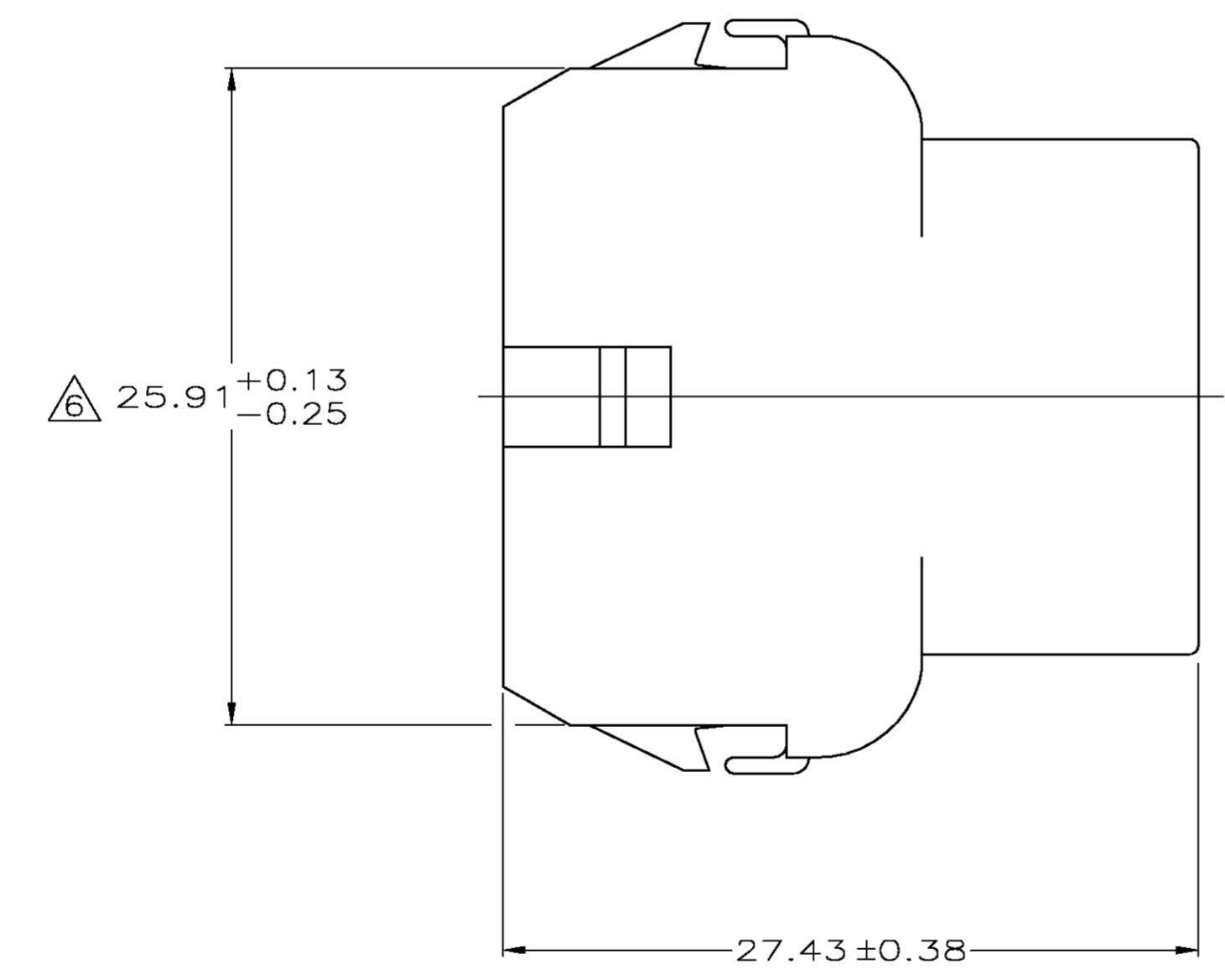
LOC		DIST		REVISIONS			
P	LR	DESCRIPTION	DATE	DN	APD		
AK		REVISED PER 063B-0448-04	29JUL04	KW	SR		



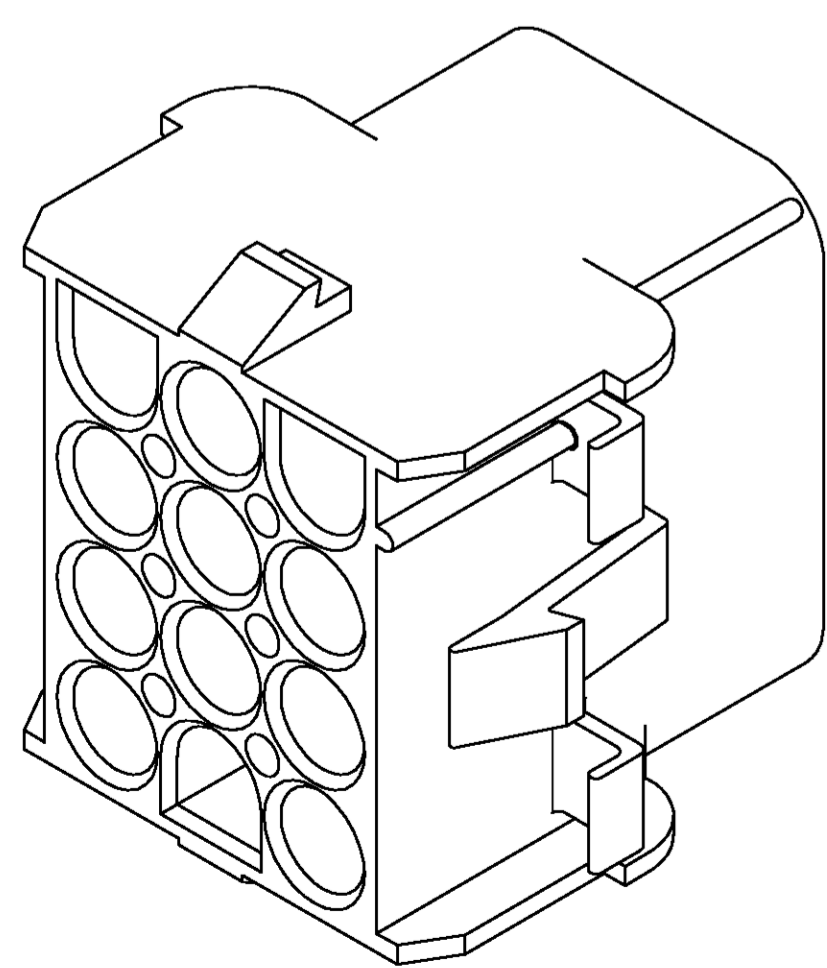
- MATES WITH APPROPRIATE UNIVERSAL MATE-N-LOK™ PLUG.
 - RECOMMENDED PANEL THICKNESS 0.76 - 2.29.
 - PANEL MUST BE PUNCHED SO THAT THE HOUSING ENTERS THE PANEL IN THE SAME DIRECTION AS THE PUNCH.
- Ⓐ OPTIONAL FOR KEYING HOUSING IN PANEL.
 - Ⓑ CIRCUIT NUMBER 1 LOCATION.
 - Ⓒ DIMENSION INDICATED IS AS MOLDED. ADDITIONAL GROWTH DUE TO SUBSEQUENT MOISTURE ABSORPTION MAY OCCUR.
 - Ⓓ FOUR RIBS EQUALLY SPACED, NO SPECIFIC ORIENTATION. NO RIBS OR SIX RIBS EQUALLY SPACED, NO SPECIFIC ORIENTATION, OPTIONAL.
 - Ⓔ UNDERWRITERS RECOGNIZED COMPONENT LOGO AND CSA CERTIFICATION LOGO TO BE LOCATED ONCE EACH ON SIDE OF HOUSING.



DETAIL A
OPTIONAL CONSTRUCTIONS



RECOMMENDED PANEL CUT OUT



3-DIMENSIONAL MODEL
NTS

MM	IN	MM	IN
6.99	.275	27.43	1.080
4.45	.175	27.05	1.065
2.79	.110	26.67	1.050
2.54	.100	26.16	1.030
2.29	.090	25.91	1.020
0.76	.030	20.32	.800
0.38	.015	12.19	.480
0.25	.010	8.89	.350
0.13	.005	8.13	.320
MM	IN	MM	IN

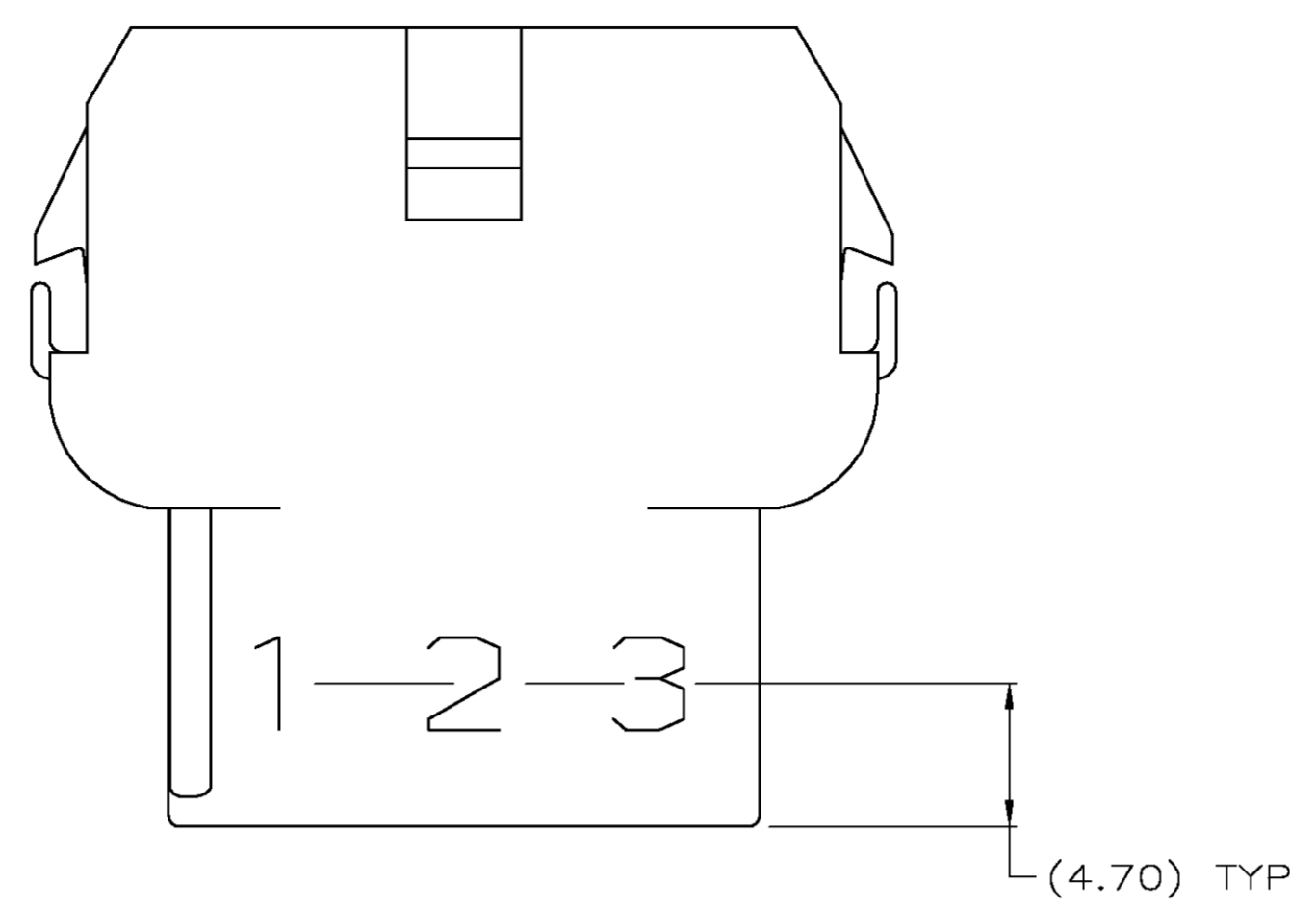
CONVERSION TABLE

METRIC

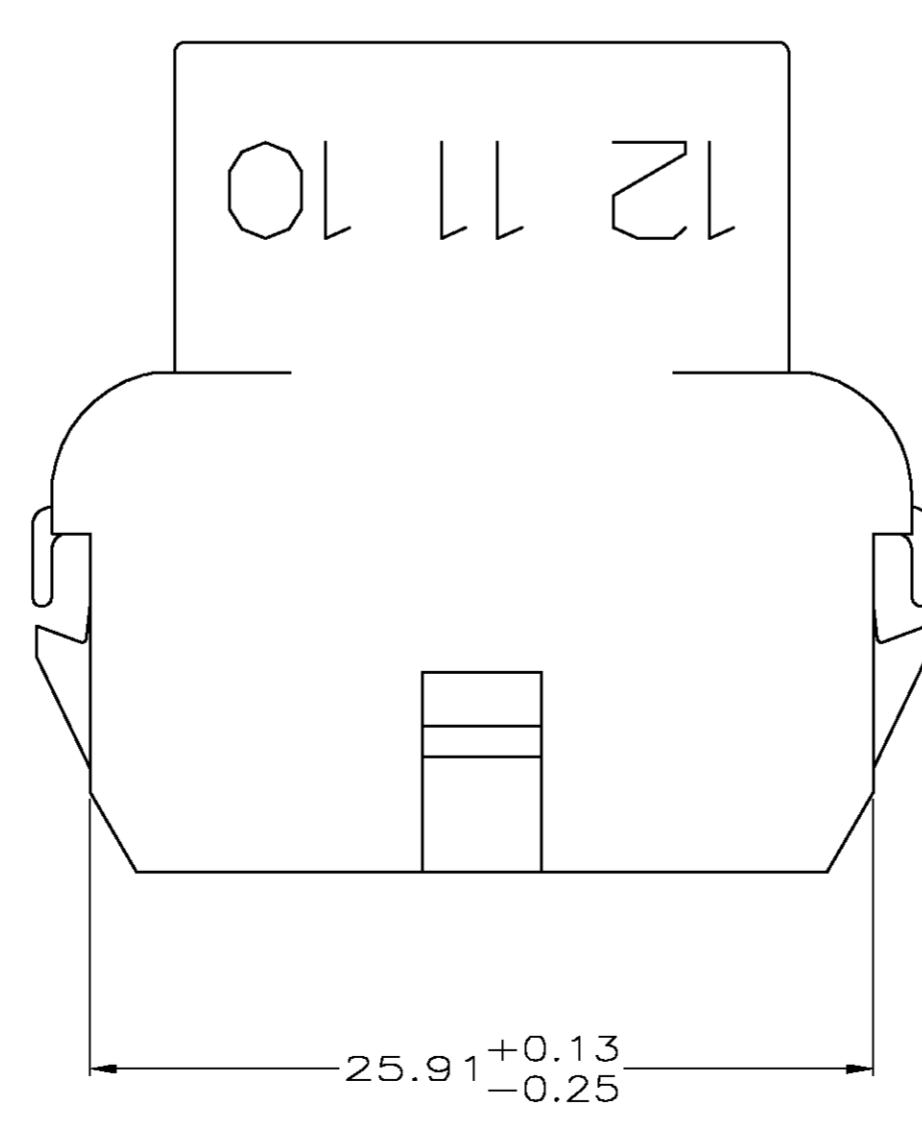
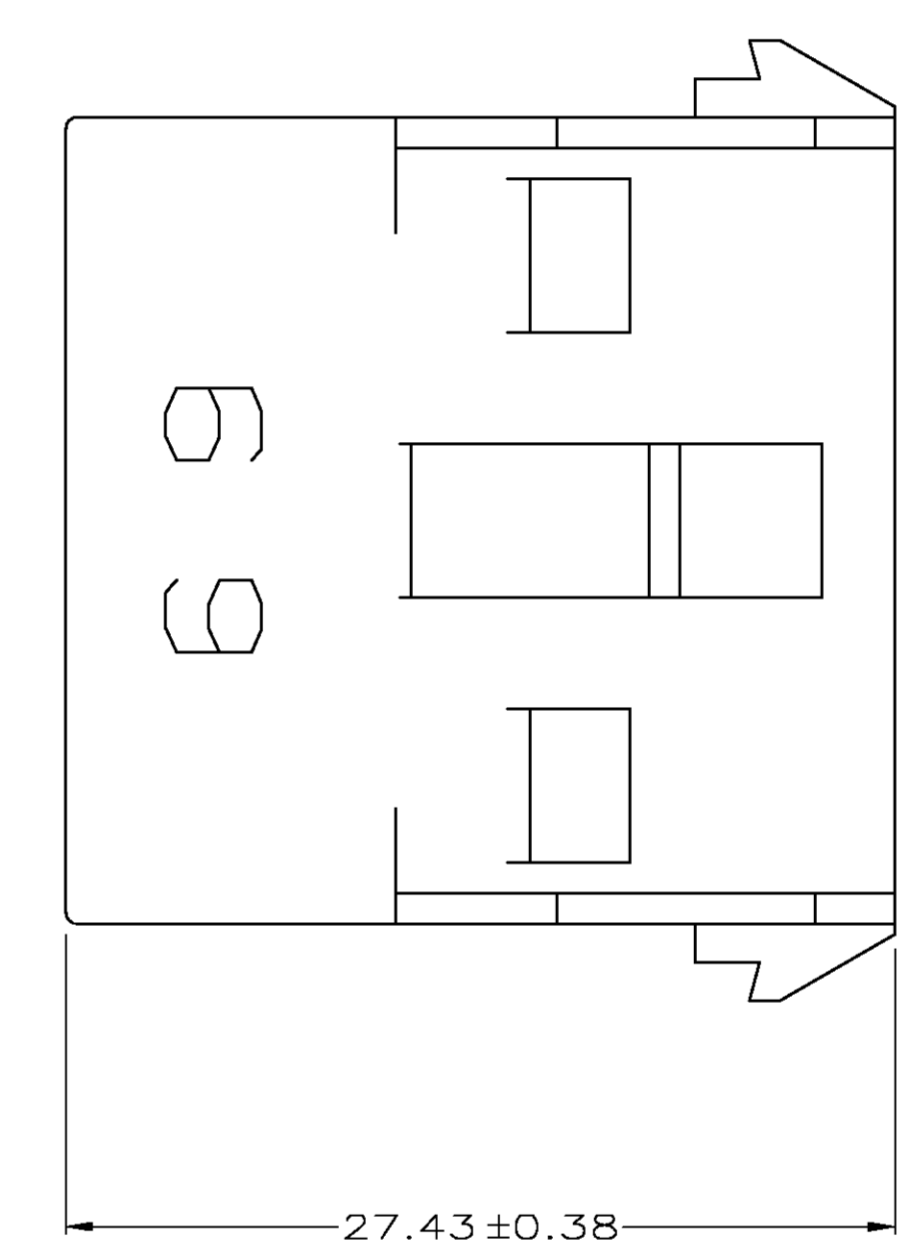
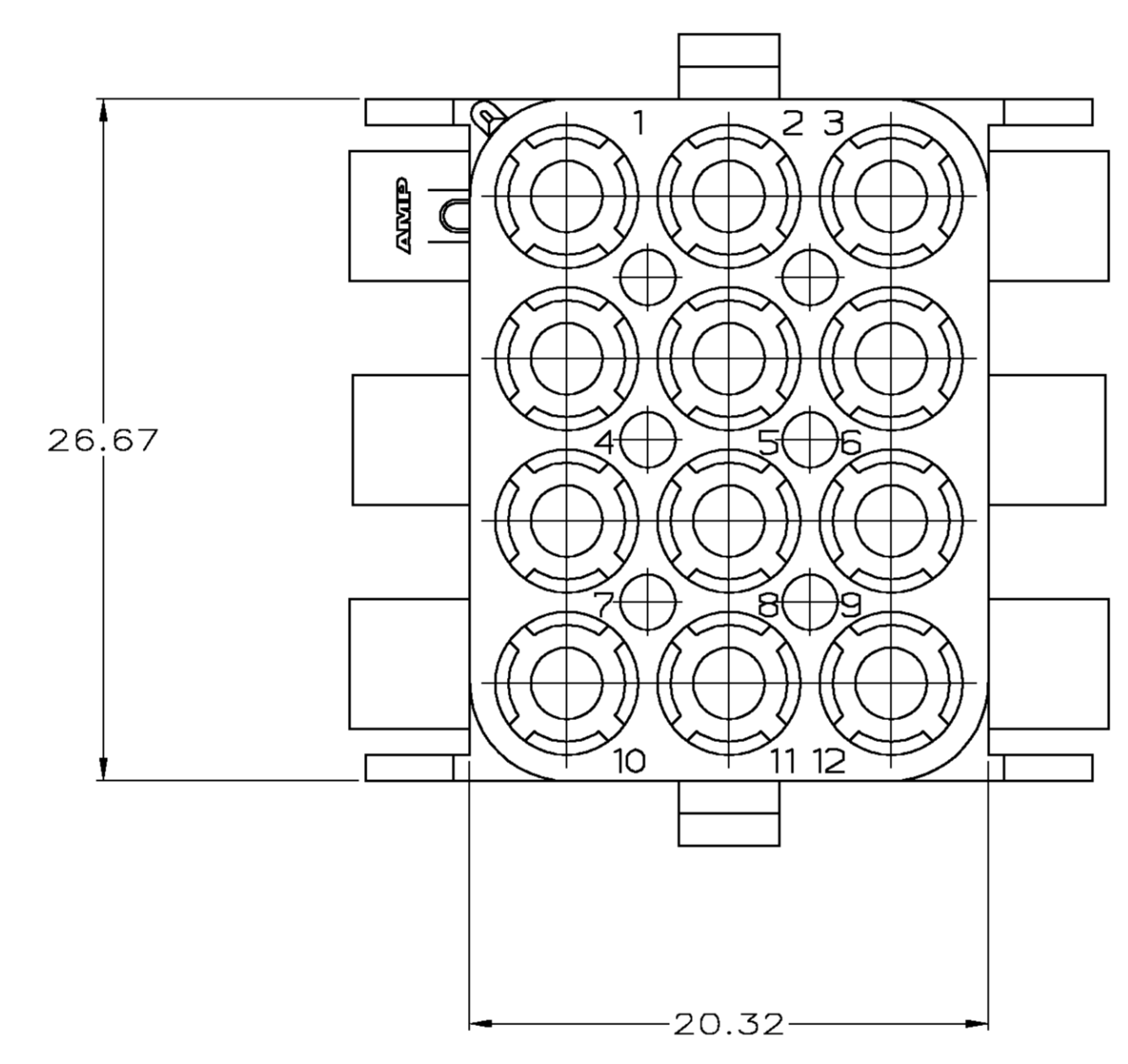
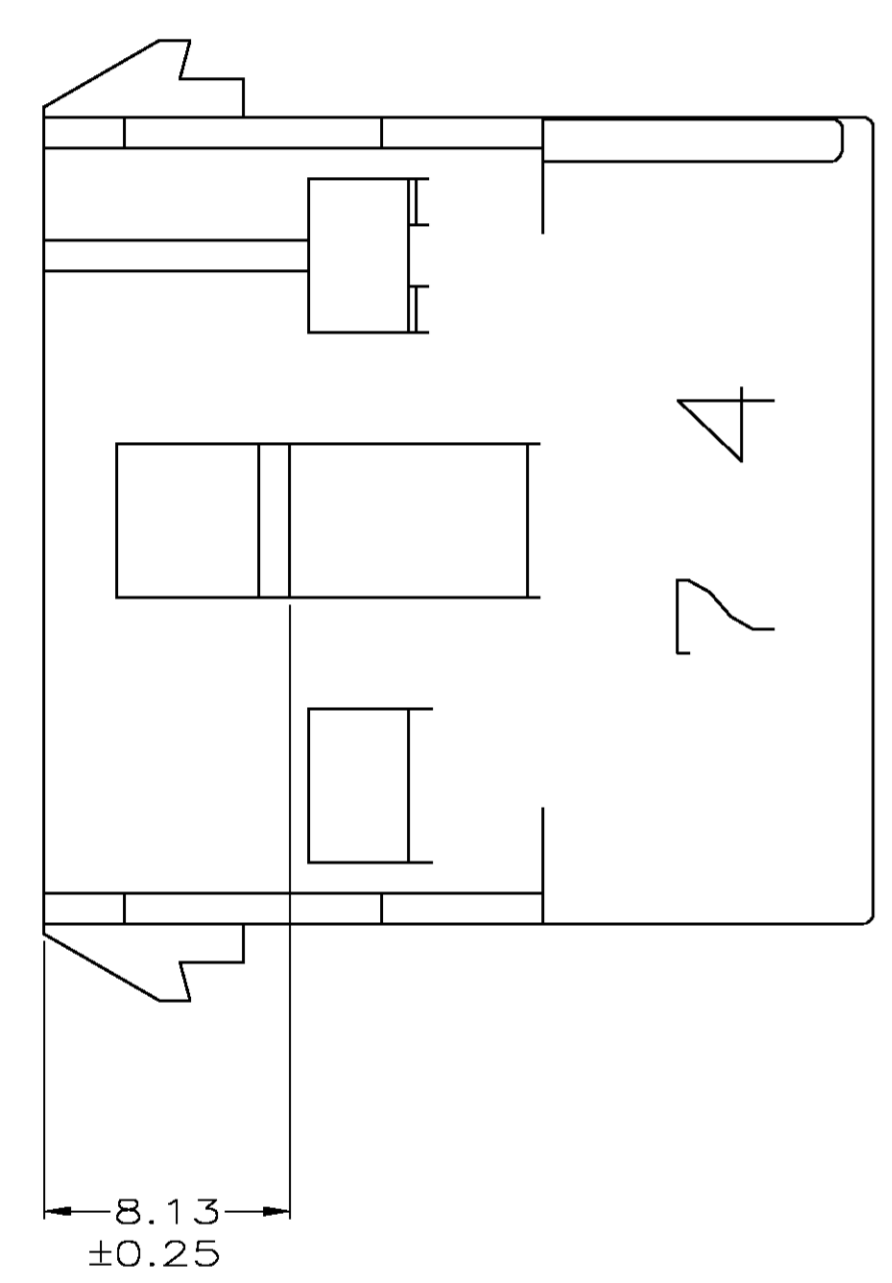
BLACK	1-480709-9
BLUE	1-480709-6
GREEN	1-480709-5
RED	1-480709-2
NATURAL	1-480709-0
COLOR	PART NO

THIS DRAWING IS A CONTROLLED DOCUMENT.

DIMENSIONS:	TOLERANCES UNLESS OTHERWISE SPECIFIED:	DIN	29JUL2004		Tyco Electronics Corporation Greensboro, NC 27409
mm	0 PLG ± - 1 PLG ± - 2 PLG ± ± 0.13 3 PLG ± ± - 4 PLG ± ± - ANGLES ± ± 0.30°	CHK	29JUL2004		
		APVD	29JUL2004	NAME	
MATERIAL NYLON, UL94V-2		FINISH -		CAP, 12 CIRCUIT, UNIVERSAL MATE-N-LOK™	
WEIGHT -		SIZE		CAGE CODE	DRAWING NO
CUSTOMER DRAWING		SCALE 4:1		SHEET 1 OF 2	REV AK



1. STAMP NUMBERS 3.18 HIGH AT WIRE END OF HOUSING (12 POINT DAVID TYPE); CLARIFICATION MARKS UNDER THE 6 & 9.
2. CHARACTERS TO BE STAMPED ON HOUSING IN A MANNER AS TO BE READ FROM WIRE END ONLY.
3. VIOLET, BLACK, BROWN, AND BLUE COLORED BLOCKS TO BE STAMPED WITH WHITE CHARACTERS. ALL OTHER COLORED BLOCKS TO BE STAMPED WITH BLACK CHARACTERS.



METRIC

5.08	.200	-	-
4.70	.185	27.43	1.080
3.18	.125	26.67	1.050
0.38	.015	25.91	1.020
0.25	.010	20.32	.800
0.13	.005	8.13	.320
MM	IN	MM	IN

CONVERSION TABLE

NATURAL	2-480709-0
COLOR	PART NO

THIS DRAWING IS A CONTROLLED DOCUMENT.

DIMENSIONS:	TOLERANCES UNLESS OTHERWISE SPECIFIED:	DNW	29JUL2004		Tyco Electronics Corporation Greensboro, NC 27409
mm	0 PLC ± - 1 PLC ± - 2 PLC ± 0.13 3 PLC ± - 4 PLC ± - ANGLES ± 0.30°	CHK	29JUL2004		
		APVD	29JUL2004	NAME	
MATERIAL		APPLICATION SPEC		CAP, 12 CIRCUIT, UNIVERSAL MATE-N-LOK™	
FINISH		WEIGHT		SIZE	CAGE CODE
		CUSTOMER DRAWING		A1	00779
				SCALE	4:1
				SHEET	2 OF 2
				REV	AK