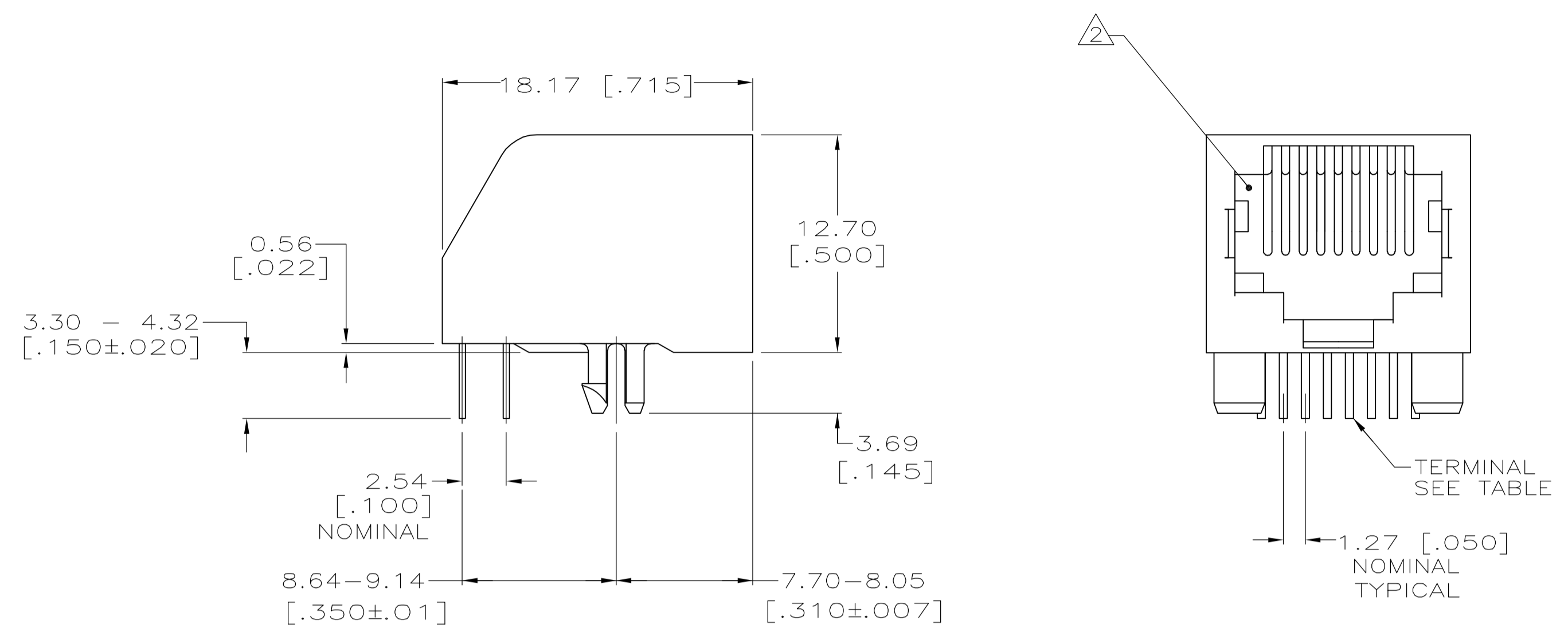
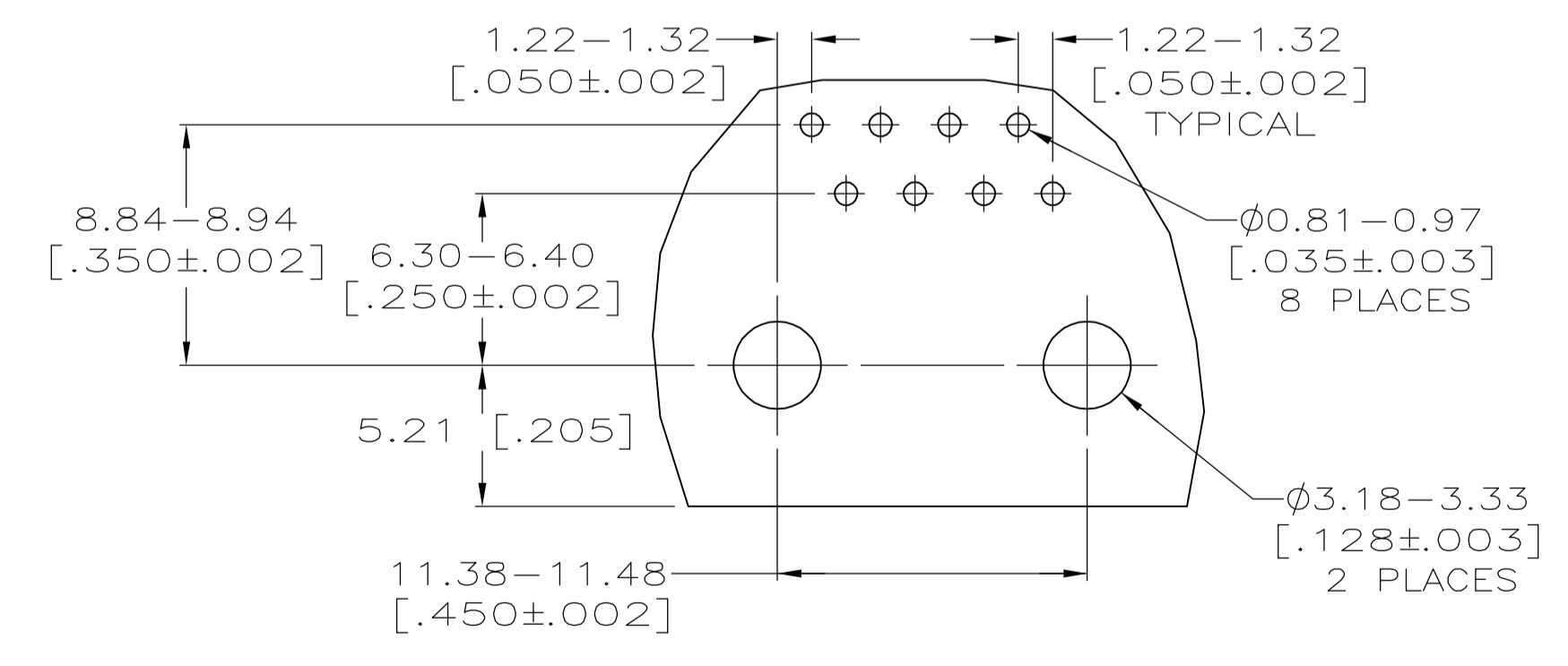
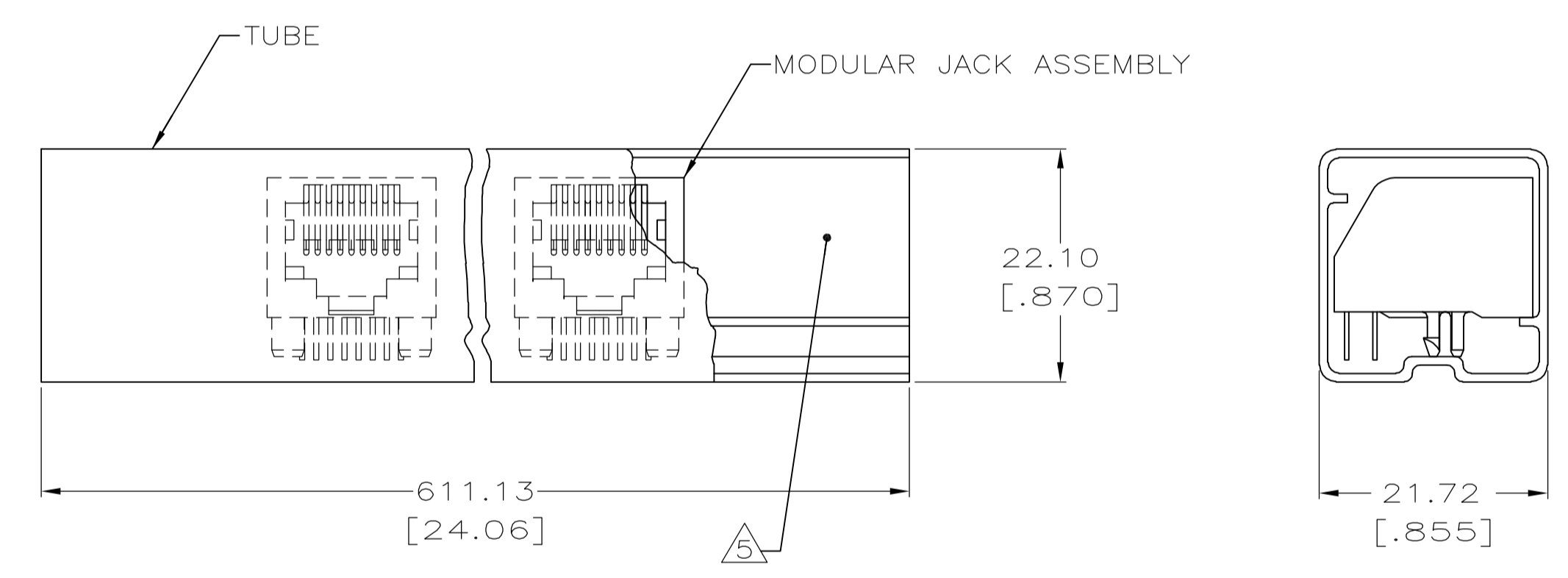
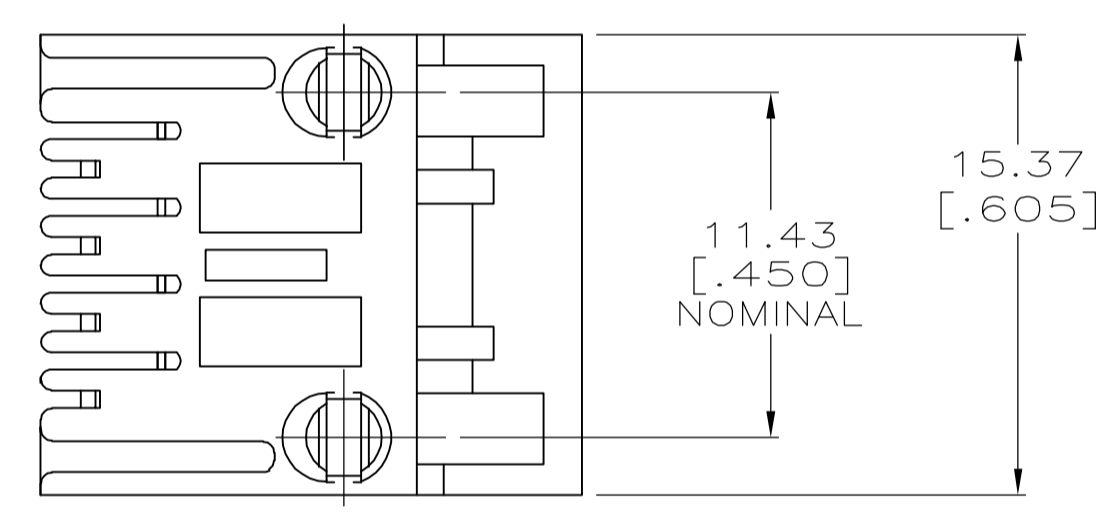


LOC	DIST	REVISIONS			
P	LTR	DESCRIPTION	DATE	OWN	APVD
AA	22	A	REV PER EC 0S11-0201-04	08JUN2005	GA SF



- ① MATERIAL:
 HOUSING - PBT POLYESTER, SEE TABLE.
 TERMINAL - 0.36 [.014] THICK PHOS BRONZE PLATED WITH 1.27µm [.000050] MINIMUM THICK HARD GOLD IN LOCALIZED GOLD PLATE AREA AND 2.03µm [.000080] MINIMUM THICK MATTE TIN IN SOLDER AREA OVER 1.27µm [.000050] THICK NICKEL UNDERPLATE.
- ② CAVITY CONFORMS TO FCC RULES AND REGULATIONS PART 68, SUBPART F.
- ③ DIMENSIONS ARE MAXIMUM UNLESS OTHERWISE SPECIFIED.
- ④ BULK PACKAGED IN A TRAY.
- ⑤ 37 ASSEMBLIES PACKAGED PER TUBE, SEE DETAIL B.



⑤	BLACK	8	5555164-4
④	BLACK	8	5555164-1
PACKAGED	HOUSING COLOR	TERMINALS REQUIRED	PART NUMBER

THIS DRAWING IS A CONTROLLED DOCUMENT.

DWG: G. ATTADIA - 08JUN2005	CHK: J. WESTMAN - 08JUN2005	APD: S. FLICKINGER - 08JUN2005	NAME: S. FLICKINGER	TYCO ELECTRONICS CORPORATION Harrisburg, PA 17105-3608
DIMENSIONS: INCHES		TOLERANCES UNLESS OTHERWISE SPECIFIED:		PRODUCT SPEC: 108-1163
0 PLC	± -	③	108-1163	APPLICATION SPEC: 114-2048
1 PLC	± -			SIZE: A1
2 PLC	± -			CAGE CODE: 00779
3 PLC	± -			DRAWING NO: 5555164
4 PLC	± -			RESTRICTED TO: -
ANGLES	± -			SCALE: 4:1
FINISH	①			SHEET: 1 OF 1
MATERIAL	①			REV: A

CUSTOMER DRAWING