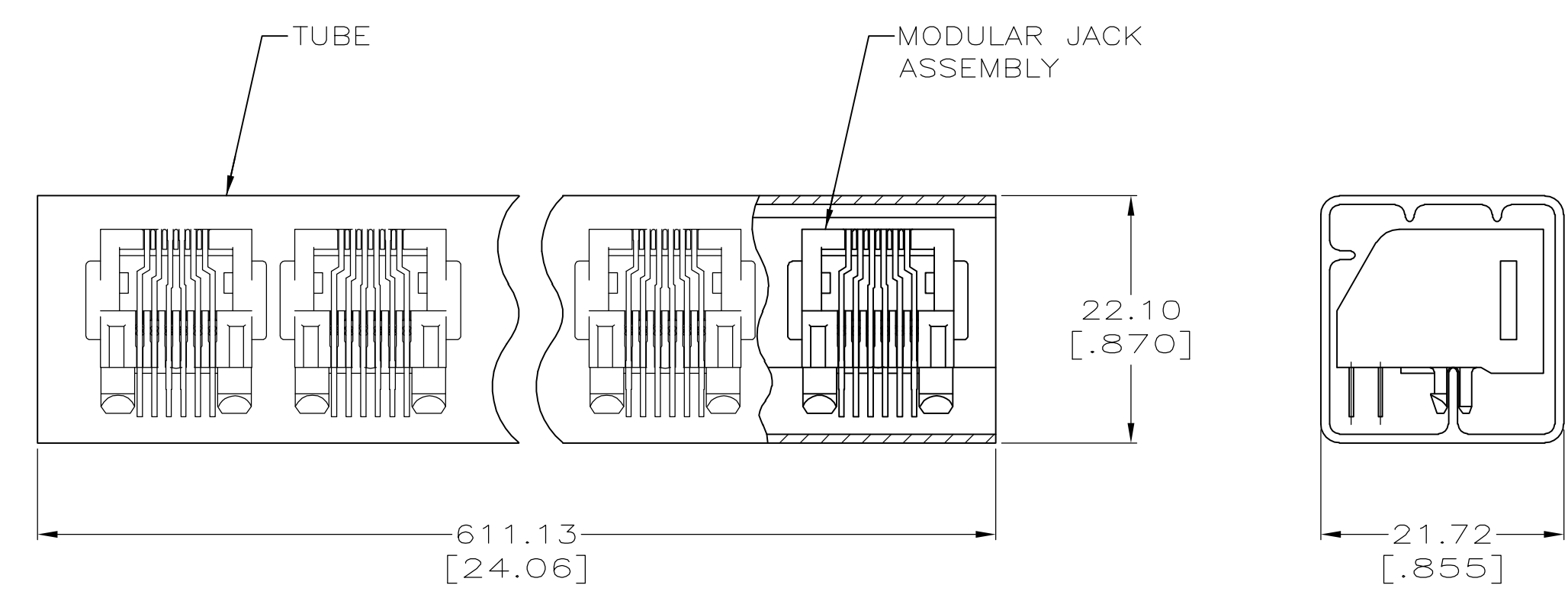


SUGGESTED PRINTED CIRCUIT BOARD MOUNTING HOLE LAYOUT
 VIEW SHOWN AS COMPONENT SIDE OF BOARD



DETAIL A
 SCALE 2:1

- 1 MATERIAL: HOUSING - PBT POLYESTER, BLACK.
 TERMINAL - 0.35 [.0138] THICK PHOSPHOROUS-BRONZE PLATED WITH 1.27µm [.000050] THICK HARD GOLD IN LOCALIZED GOLD PLATE AREA AND 2.03µm [.000080] THICK MATTE TIN IN SOLDER AREA OVER 1.27µm [.000050] THICK NICKEL UNDERPLATE.
- 2 CAVITY CONFORMS TO FCC RULES AND REGULATIONS PART 68, SUBPART F.
- 3 DIMENSIONS ARE MAXIMUM UNLESS OTHERWISE SPECIFIED.
- 4 TERMINALS FOR 5555163-2 AND -5 LOCATED IN CENTER POSITIONS.
- 5 BULK PACKAGED IN A TRAY.

5	2	5555163-5
5	4	5555163-2
5	6	5555163-1
PACKAGED	TERMINALS REQUIRED	PART NUMBER

THIS DRAWING IS A CONTROLLED DOCUMENT.		DWN: G. ATTADIA - DOCK5 08JUN2005		Tyco Electronics Corporation Harrisburg, Pa 17105-3608	
DIMENSIONS: mm [INCHES]		TOLERANCES UNLESS OTHERWISE SPECIFIED:		APVD: S. FLICKINGER 08JUN2005	
0 PLC	±	1 PLC	±	NAME: MODULAR JACK ASSEMBLY, 6 POSITION, LOW PROFILE, RIGHT ANGLE, WITH PANEL STOPS	
1 PLC	±	2 PLC	±	PRODUCT SPEC: 108-1163	
2 PLC	±	3 PLC	±	APPLICATION SPEC: 114-2048	
3 PLC	±	4 PLC	±	SIZE: A1	
4 PLC	±	ANGLES	±	CAGE CODE: 00779	
MATERIAL: -		FINISH: 1		DRAWING NO: 5555163	
CUSTOMER DRAWING		SCALE: 4:1		SHEET 1 OF 1	