

4

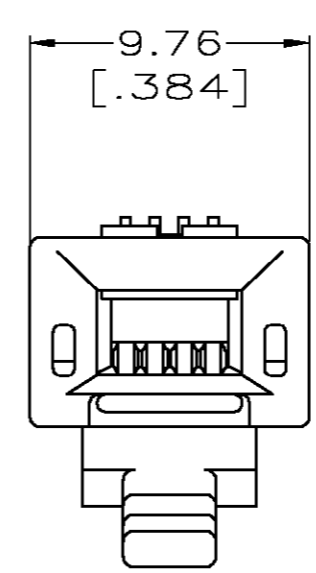
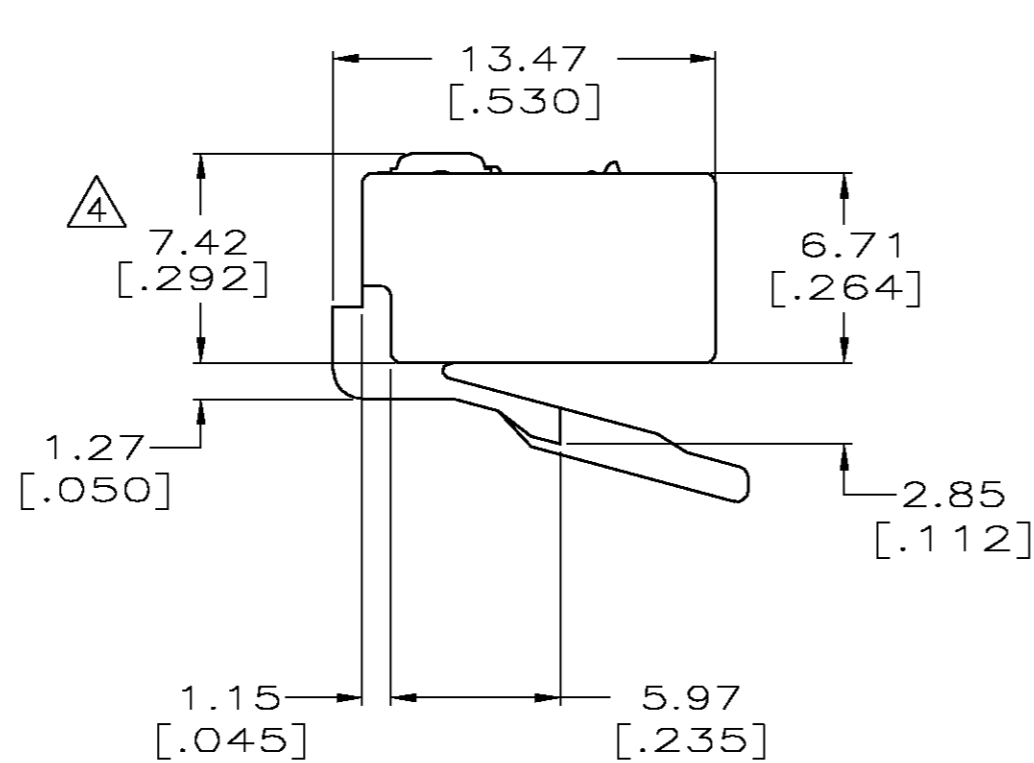
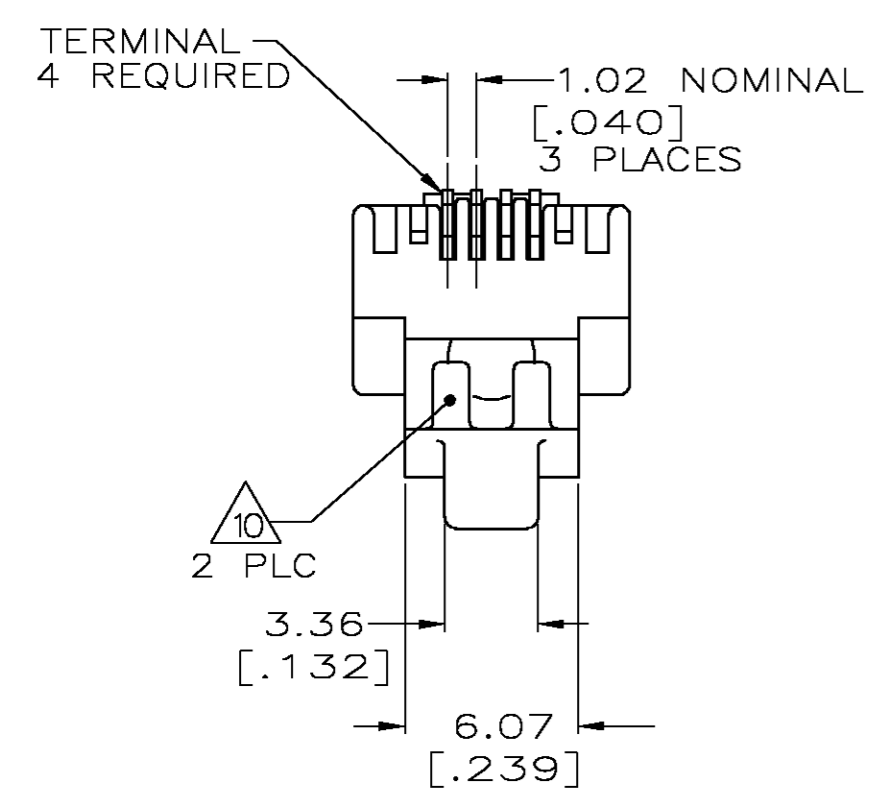
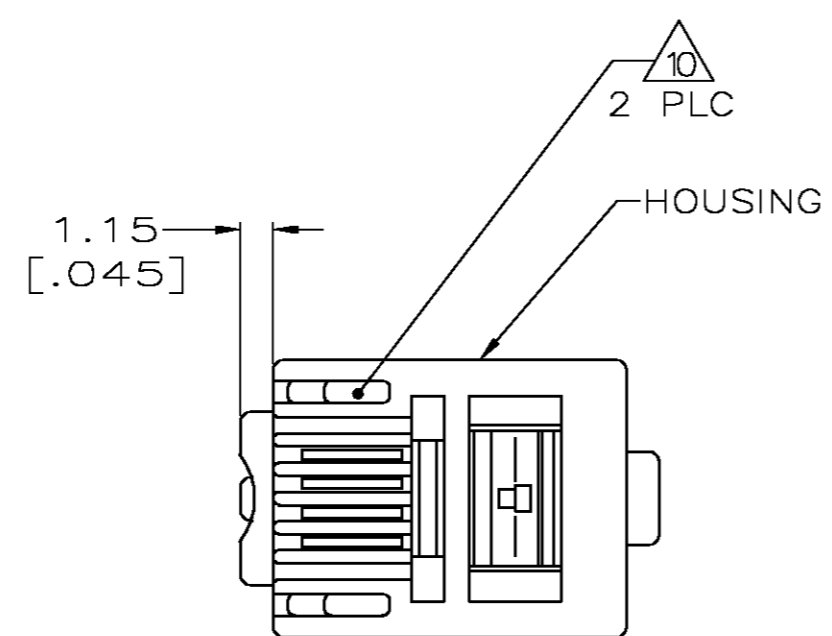
3

2

1

THIS DRAWING IS UNPUBLISHED. RELEASED FOR PUBLICATION  
 © COPYRIGHT BY TYCO ELECTRONICS CORPORATION. ALL RIGHTS RESERVED.

LOC	DIST	REVISIONS			GC	EL
P	LTR	DESCRIPTION	DATE	DWN	APVD	
AA	22	U	REVISED PER EC 0S11-0093-04	12MAY04	SW	BK



- 1 DIMENSIONS ARE MAXIMUM UNLESS OTHERWISE SPECIFIED.
- 2 MATERIAL: HOUSING-POLYCARBONATE,CLEAR. TERMINAL-0.36[.014] THICK PHOSPHOR BRONZE PLATED WITH 1.27μm[.000050] THICK GOLD IN LOCALIZED GOLD PLATE AREA, GOLD FLASH OVER THE REMAINDER, OVER 2.54μm[.000100] THICK NICKEL UNDERPLATE.
- 3. PLUG WILL ACCEPT 26 OR 28 AWG STRANDED WIRE HAVING A MAXIMUM INSULATION DIAMETER OF 0.99[.039] AND A MAXIMUM DIAMETER ROUND CABLE JACKET OF 2.54 [.100] OR OVAL CABLE JACKET OF 2.29 x 4.83[.090 x .190] MAXIMUM.
- 4 TERMINATED DIMENSION 6.15[.242] MAXIMUM.
- 5 PACKAGED 10 ASSEMBLIES PER BLISTER PACK.
- 6 PACKAGED 10,000 ASSEMBLES PER CARTON.
- 7 PACKAGED 1000 ASSEMBLIES PER CARTON.
- 8 PACKAGED 100 ASSEMBLIES PER BOX, 10 BOXES PER CARTON.
- 9 PACKAGED 25 ASSEMBLIES PER POLYBAG,40 POLYBAGS PER CARTON.
- 10 REELED PRODUCT ON STRIP DOES NOT HAVE VOID CORING ILLUSTRATED ON THIS DRAWING.

SUPERSEDED BY 5-641335-7	5	6-641335-3
	9	5-641335-7
	8	5-641335-3
	7	5-641335-2
	6	5-641335-1
	10	641335-1
	PACKAGED	PART NO

THIS DRAWING IS A CONTROLLED DOCUMENT.		DWN 9-1-93 YTP/UTA	Tyco Electronics Corporation Harrisburg, Pa 17105-3608	
DIMENSIONS: mm [INCHES]		CHK 9-15-93 C.WHITT	NAME	
TOLERANCES UNLESS OTHERWISE SPECIFIED:		APVD 9-20-93 J.TONEY	PRODUCT SPEC	
0 PLC ± -	1 PLC ± -	108-1163	MODULAR PLUG ASSEMBLY, 4 POSITION, LINE	
2 PLC ± -	3 PLC ± -	APPLICATION SPEC	-	
4 PLC ± -	ANGLES ± -	114-6016	SIZE	CAGE CODE
FINISH	FINISH	WEIGHT	A2	00779
		CUSTOMER DRAWING	DRAWING NO	RESTRICTED TO
			C-641335	-
			SCALE 4:1	SHEET 1 OF 1
			REV U	

CUSTOMER DRAWING

641335