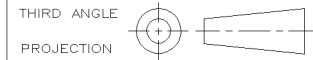


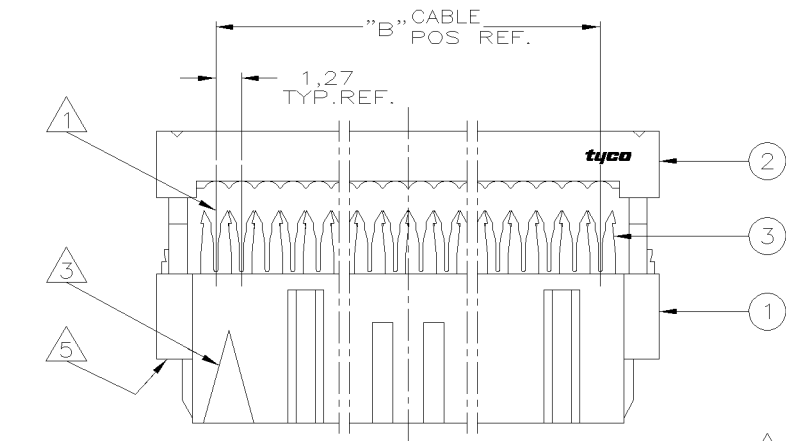
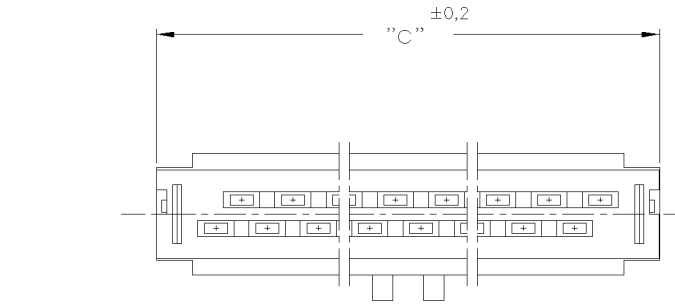
DO NOT SCALE
DIMENSIONS IN mm

METRIC

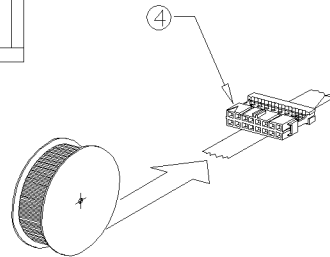
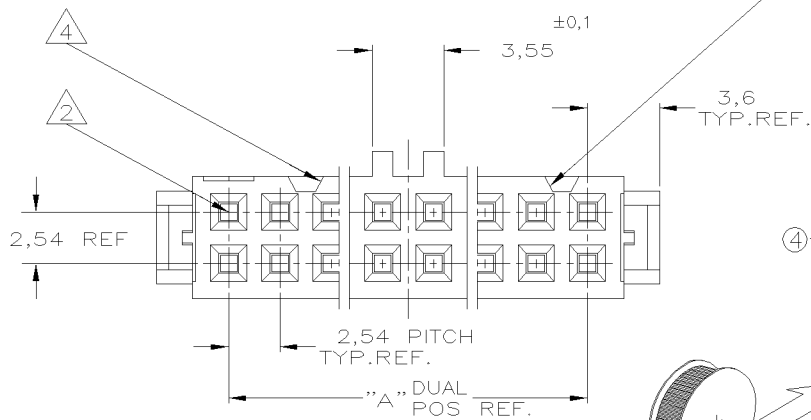
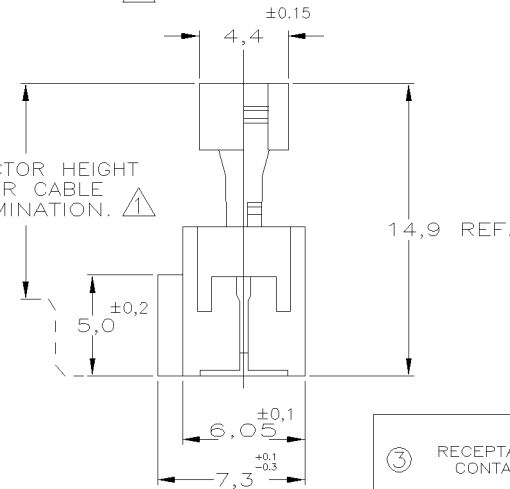


NOTES:

- ① CONNECTOR IS DESIGNED FOR FLAT RIBBON CABLE ON 1,27 CENTERS . FOR CABLE REQUIREMENTS SEE AMP APPLICATION SPECIFICATION 114-19022.
- ② THESE RECEPTACLE CONNECTORS MATE WITH 0,64^{±0,05} mm SQUARE OR ROUND POSTS ON 2,54mm GRID.
- ③ MARK INDICATING FIRST CABLE POSITION REFERRING TO CONTACT POSITION.
- ④ THERE IS NO POLARIZATION-SLOT AT THIS END IN 4, 6, 8, 10 AND 14 POS CONNECTORS.
- ⑤ THESE CONNECTORS CAN BE USED IN CONJUNCTION WITH STRAIN-RELIEF COVERS OF PARTNR: 100103.
- ⑥ THERE IS NO POLARIZATION-SLOT AT THIS END IN 4, 6, AND 8 POS CONNECTORS.
- ⑦ PRODUCT SPECIFICATION 108-19033.



CONNECTOR HEIGHT AFTER CABLE TERMINATION. ①



QUANTITY PER REEL	DIM."C"	"B" CABLE POS.	"A" DUAL POS.	PARTNUMBER	PART REV.
1000	85,9	64	32	6-215919-4	D
1000	80,8	60	30	6-215919-0	D
1000	68,1	50	25	5-215919-0	D
1500	60,5	44	22	4-215919-4	D
1500	55,4	40	20	4-215919-0	D
1500	47,8	34	17	3-215919-4	D
1500	37,6	26	13	2-215919-6	D
1500	30,0	20	10	2-215919-0	D
1500	24,9	16	8	1-215919-6	D
1500	22,4	14	7	1-215919-4	D
1500	17,3	10	5	1-215919-0	D
OBSOLETE	1500	14,8	8	0-215919-8	C
1500	12,2	6	3	0-215919-6	D
OBSOLETE	1500	9,7	4	0-215919-4	C

③ RECEPTACLE CONTACT	PHOSPHORBRONZE Cu Sn6	AT CONTACT-PLACE: 0,2µm GOLD AT WIRING END: 2,5µm TIN ENTIRE UNDERCOATING: 1,27µm NICKEL
② COVER	THERMOPLASTIC POLYESTER GF UL 94 -V0	GREY RAL 7032 ONLY FOR REF.
① HOUSING		
COMPONENT NAME	MATERIAL	PLATING / COLOUR

CUSTOMER DRAWING				FOR REFERENCE ONLY WILL NOT BE UPDATED	
© COPYRIGHT 19 - BY AMP HOLLAND B.V. ALL INTERNATIONAL RIGHTS RESERVED. AMP PRODUCTS MAY BE COVERED BY U.S. AND FOREIGN AND/OR PATENTS PENDING. THIS DRAWING IS UNPUBLISHED RELEASED FOR PUBLICATION _____, 19 _____					
D4	ET00-0243-04	A.V.	R.M.	21-03-05	
D3	ET00-0159-04	A.V.	R.M.	13-07-04	
D2	ET00-0180-03	A.V.	R.M.	19-01-04	
D1	ET00-0093-03	SS	-	23-05-03	
LTR.	REVISION RECORD	DR.	CHK.	DATE	
DR.:	R.HOGEVEEN	CHK.:	R.VERSTIJNEN	APP.:	L.V.SOEST
DATE:	02-02-88	DATE:	03-02-88	DATE:	03-02-88
DWG. NO.		C-215919		SIZE	A3
SHEET		1 OF 1		REV. LTR.	D4