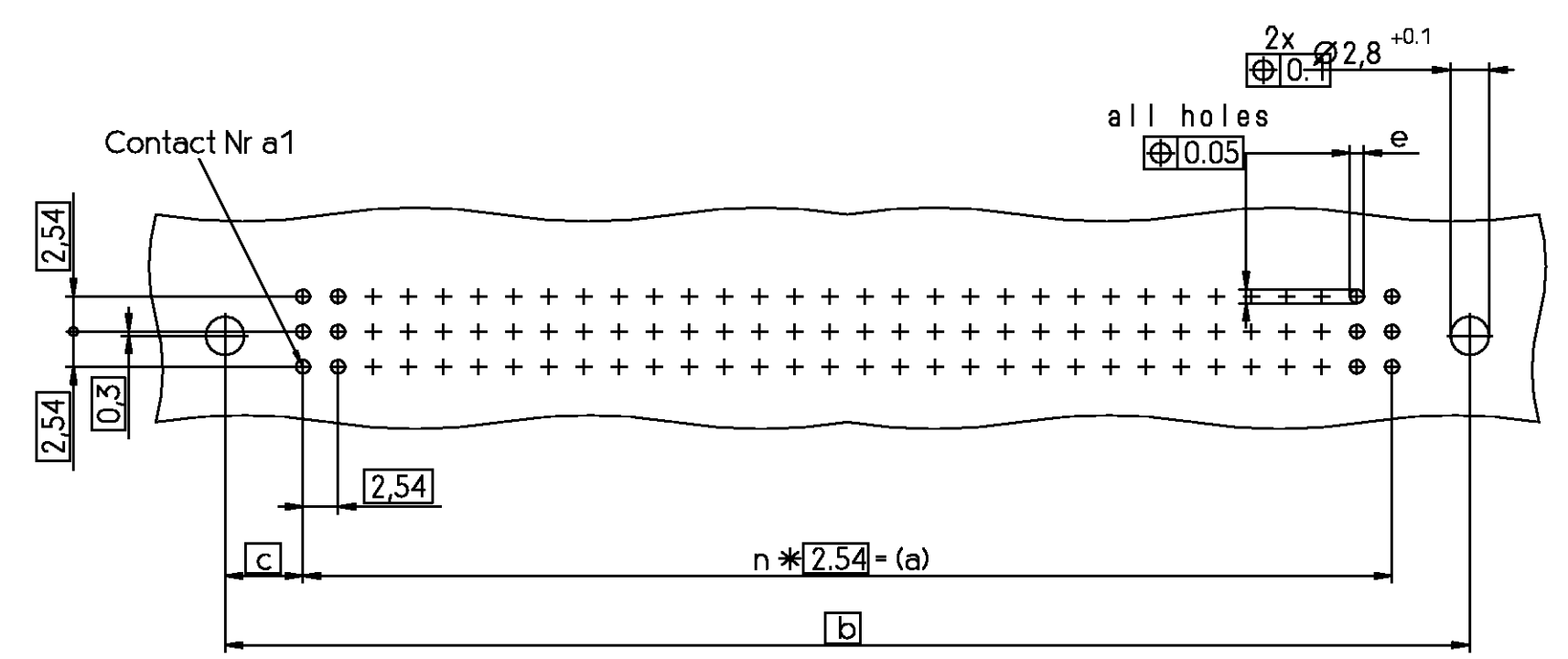


Housing material: PBTP 30% glassfilled (UL94V-0) pebble grey (similar RAL 7032)

Mounting holes in PCB

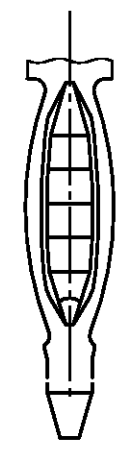


Type	n	a	b	c	e	Termination
Q R	31	78.74	88.9	5.63	0.94+0.15	pressfit 1)
Q/2 R/2	15	38.1	48.26	5.95		
Q/3 R/3	9	22.86	33.02	5.95		

1) acc. to IEC352-5

Termination Styles

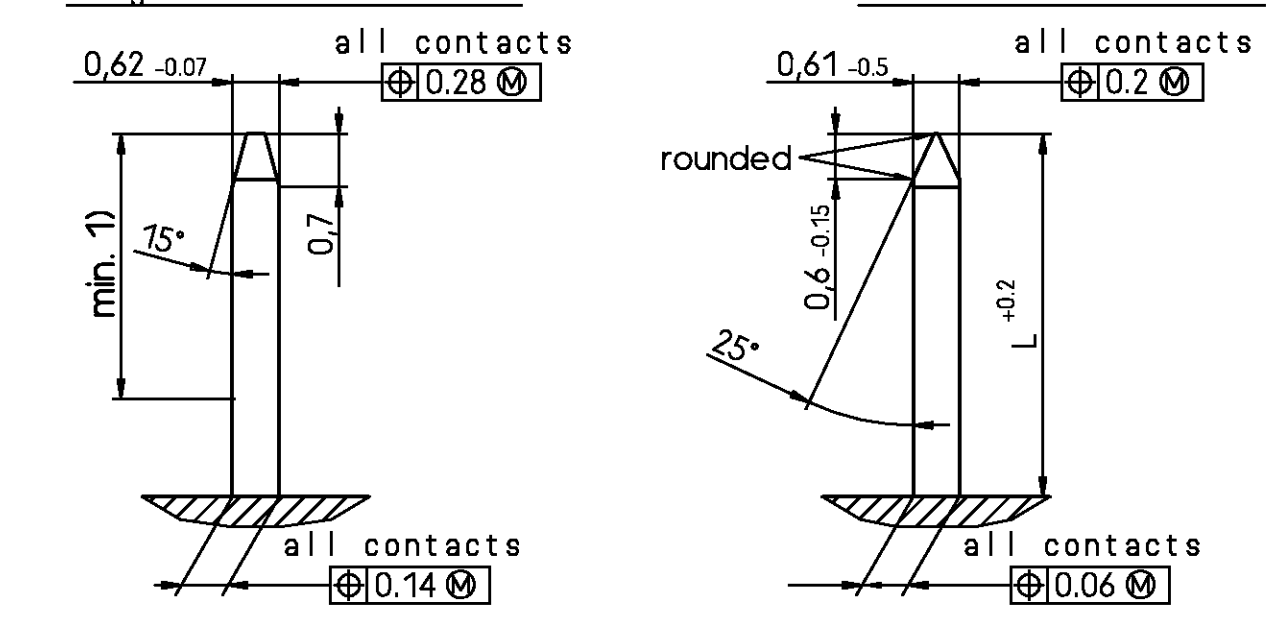
Pressfit (acc. to IEC 352-5)



Pressfit area with galvanic Sn plating

	L	Code
Pressfit	4 +0.5	63
	6 +0.5	70
Pressfit-wire-wrap pins	13 +0.5	60
	17 +0.5	61
Pressfit-ww pins for adapter plugging	13 +0.5	66
	20 +0.5	68

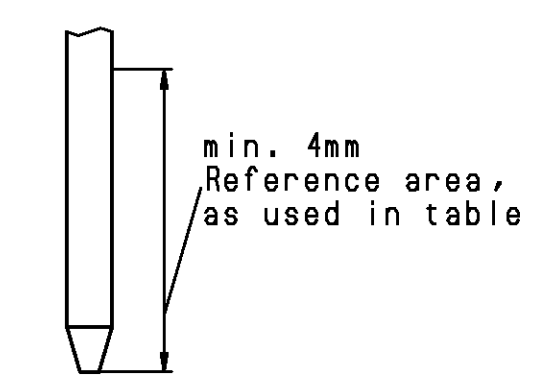
Contact : Dimensions, plating, material, pre-mating



	L	A
normal contacts	4.8	3.5
pre-mating contacts	5.8	4.5

1) Reference area as used in table

Termination Contact for adapter-plugging



Performance level

Performance level	Noble metals	Code
Class I	PdNi + Au or Au	1
	Au	4
Class II	PdNi + Au or Au	2
Class III	PdNi + Au or Au	3

Nickel underlayer
Protection film : HF-grease

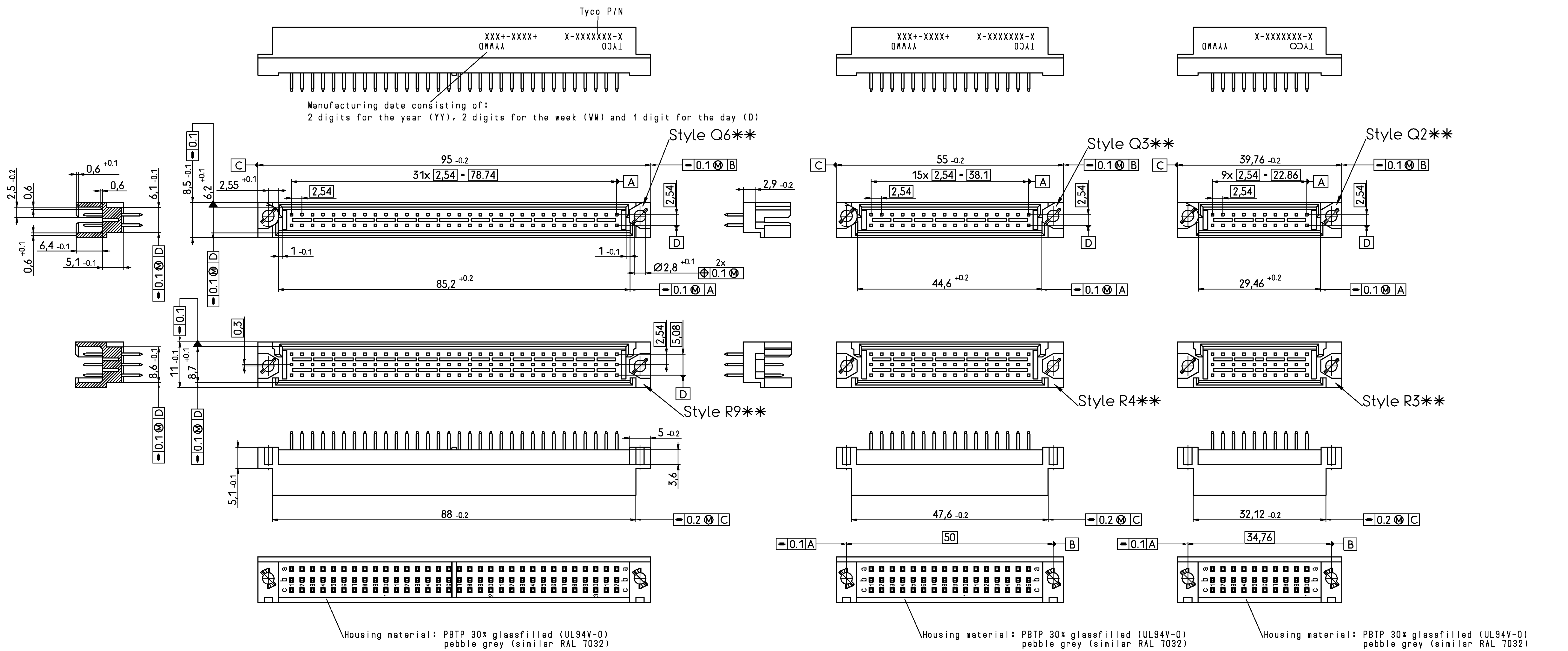
Performance level	Noble metals
Class II	PdNi + Au or Au

V42254-B1***-R***

Code for performance level
Code for termination style
Style, no of contacts and contact assignment see page 3

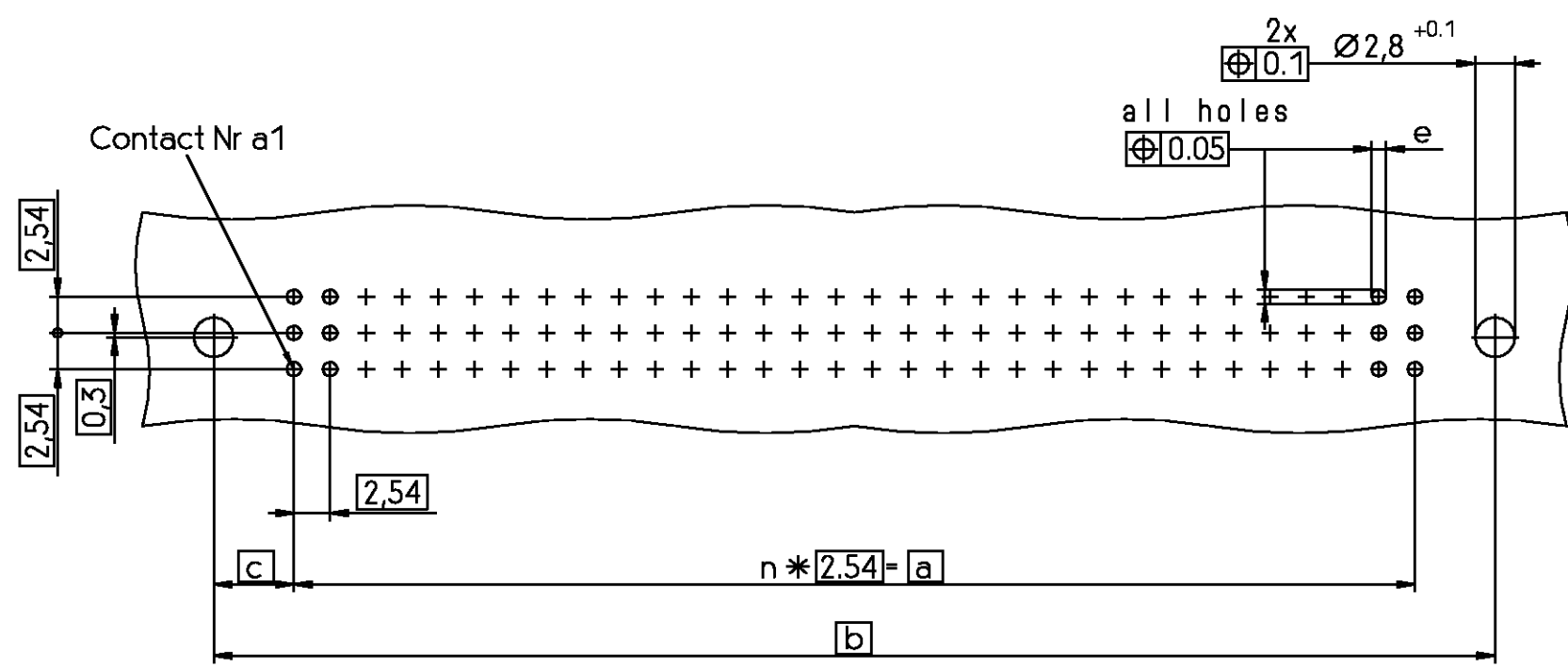
THIS INFORMATION IS CONFIDENTIAL AND PROPRIETARY TO TYCO ELECTRONICS CORPORATION AND ITS WORLDWIDE SUBSIDIARIES AND AFFILIATES. IT MAY NOT BE DISCLOSED TO ANYONE, OTHER THAN TYCO ELECTRONICS CORPORATION, WITHOUT WRITTEN AUTHORIZATION FROM TYCO ELECTRONICS CORPORATION, HARRISBURG, PENNSYLVANIA USA.

tyco TYCO ELECTRONICS CORPORATION		SCALE		WEIGHT	
COSTKAMP - BELGIUM		MATERIAL			
LOC DIMENSIONS IN MM		PART NAME			
DATE 21.02.89		Pin Assembly Eurocard			
NAME Cuvelier		Types Q and R and short versions			
DEP PD.COM		PART NO.		SH. 2+	
TOLERANCE UNLESS SPECIFIED OTHERWISE		V42254-B1***-R***-7626		OF 5	
F4 SEE SHEET 1	REV. CHANGE ORDER	DATE	APP. Customer Drawing Nr. C.9-1393501-4		



Housing material: PBTP 30% glassfilled (UL94V-0) pebble grey (similar RAL 7032)

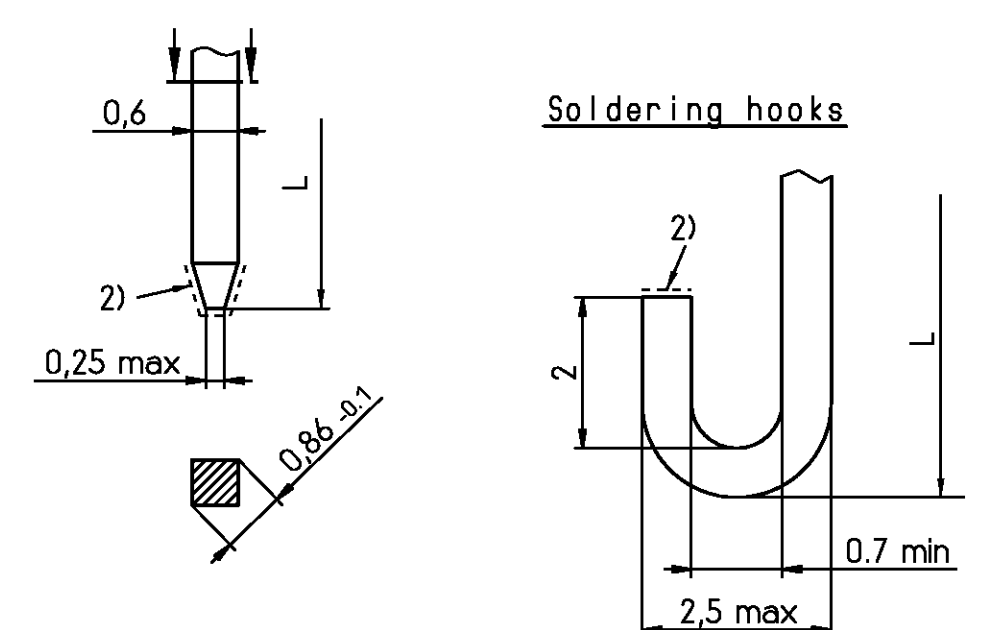
Mounting holes in PCB



Type	n	a	b	c	e	Termination
Q	R	31	78.74	88.9	5.63	1.0±0.1 solder
Q/2	R/2	15	38.1	48.26	5.95	1.0±0.1 wire wrap
Q/3	R/3	9	22.86	33.02	5.95	

Termination Styles

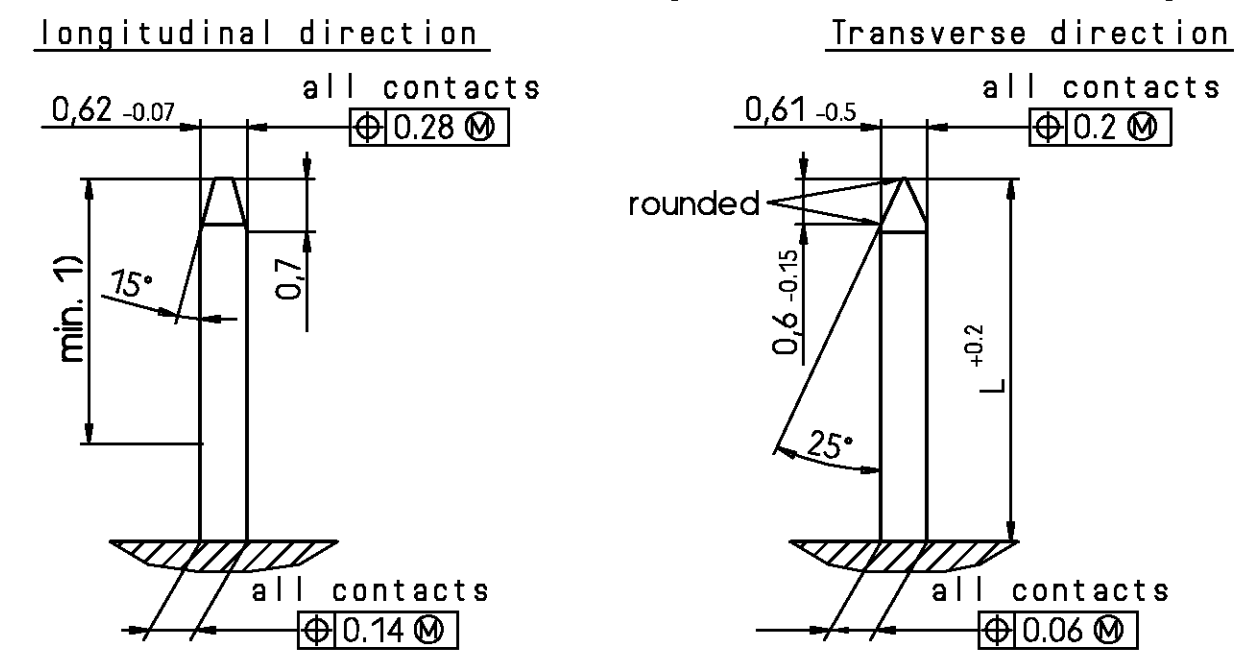
Soldering for PCB holes 1mm, Wire wrap pins and Pressfit pins (1)



- Pressfit according to IEC 352-5
 - Cutting edges not plated (Terminationstrip for adapter plugging fully plated)
- Terminations
- with galvanic Sn plating
 - for contacts with insertion-area for adapter-plugging: PdNi + Au or Au plated, see next box

	L	Code
Soldering for PCB holes 1mm	2.9 ±0.3	01
	4.5 ±0.3	02
	6.3 ±0.3	03
Wire wrap pin	13 ±0.5	40
Soldering hooks	5.5 ±0.3	30
	10 ±0.5	

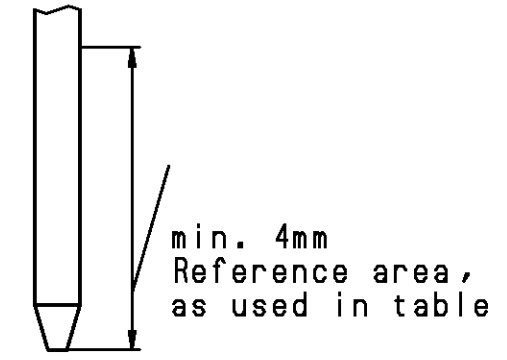
Contact : Dimensions, plating, material, pre-mating



	L	A
normal contacts	4.8	3.5
pre-mating contacts	5.8	4.5

1) Reference area as used in table

Termination Contact for adapter-plugging



Performance Level

Performance level	Noble metals	Code
Class I	PdNi + Au or Au	1
	Au	4
Class II	PdNi + Au or Au	2
Class III	PdNi + Au or Au	3

Nickel underlayer, Protection film: HF-grease

Performance level	Noble metals
Class II	PdNi + Au or Au

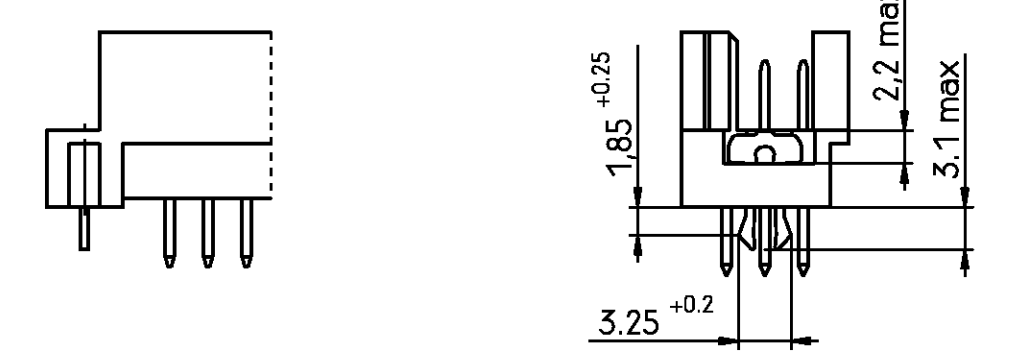
V42254-* 1 * * * - R * * *

B: Standard versions
F: Versions with flux-tight coating

Code for performance level
Code for termination style

Style, no of contacts and contact assignment see page 3

Male connector with board locks



Fm = Mounting force (for 1 connector = 2 Clips)
Fr = Retention force (for 1 connector = 2 Clips)

tyco Electronics

TYCO ELECTRONICS CORPORATION
OOSTKAMP - BELGIUM

SCALE: DIMENSIONS IN MM

PART NAME: Pin Assembly Eurocard
Types Q and R and short versions

DATE: 21.02.89
NAME: Cuvelier
DEP.: PD.COM

REV. CHANGE ORDER DATE APP. Customer Drawing Nr. C.9-1393501-4

THIS INFORMATION IS CONFIDENTIAL AND PROPRIETARY TO TYCO ELECTRONICS CORPORATION AND ITS WORLDWIDE SUBSIDIARIES AND AFFILIATES. IT MAY NOT BE DISCLOSED TO ANYONE, OTHER THAN TYCO ELECTRONICS CORPORATION, WITHOUT WRITTEN AUTHORIZATION FROM TYCO ELECTRONICS CORPORATION, HARRISBURG, PENNSYLVANIA USA.

Product description Code	Tyco Part Number	Style & Number of Positions	Termination Posts	Loaded Rows	Standard Pre-Mating (mm)	Performance Level	Board Locks
V42254B1101Q210	1393659-2	Q20	2,9mm straight solder leads	every row , every pitch	No	1	Yes
V42254B1101R480	1393659-3	R48	2,9mm straight solder leads	every row , every pitch	No	1	No
V42254B1101R960	1393659-4	R96	2,9mm straight solder leads	every row , every pitch	No	1	No
V42254B1101R963	1393659-5	R96	2,9mm straight solder leads	row a+c , every pitch	No	1	No
V42254B1101R968	1393659-6	R96	2,9mm straight solder leads	row a+c , every even pitch	No	1	No
V42254B1102Q200	1393659-7	Q20	4,5mm straight solder leads	every row , every pitch	No	1	No
V42254B1102Q320	1393659-8	Q32	4,5mm straight solder leads	every row , every pitch	No	1	No
V42254B1102R480	1393659-9	R48	4,5mm straight solder leads	every row , every pitch	No	1	No
V42254B1102R960	1-1393659-0	R96	4,5mm straight solder leads	every row , every pitch	No	1	No
V42254B1102R960H	1-1393659-1	R96	4,5mm straight solder leads	every row , every pitch	No	1	No
V42254B1103R960	1-1393659-2	R96	6,3mm straight solder leads	every row , every pitch	No	1	No
V42254B1140Q640	1-1393659-5	Q64	13mm straight wire-wrap pins	every row , every pitch	No	1	No
V42254B1140R480	1-1393659-6	R48	13mm straight wire-wrap pins	every row , every pitch	No	1	No
V42254B1161R960	1393658-1	R96	17mm Press-in terminals with wire-wrap	every row , every pitch	No	1	No
V42254B1201Q200	2-1393659-0	Q20	2,9mm straight solder leads	every row , every pitch	No	2	No
V42254B1201Q320	2-1393659-1	Q32	2,9mm straight solder leads	every row , every pitch	No	2	No
V42254B1201Q640	2-1393659-2	Q64	2,9mm straight solder leads	every row , every pitch	No	2	No
V42254B1201R300	2-1393659-3	R30	2,9mm straight solder leads	every row , every pitch	No	2	No
V42254B1201R303	2-1393659-4	R30	2,9mm straight solder leads	row a+c , every pitch	No	2	No
V42254B1201R410	2-1393659-5	R48	2,9mm straight solder leads	every row , every pitch	No	2	Yes
V42254B1201R480	2-1393659-6	R48	2,9mm straight solder leads	every row , every pitch	No	2	No
V42254B1201R913	2-1393659-7	R96	2,9mm straight solder leads	row a+c , every pitch	No	2	Yes
V42254B1201R960	2-1393659-8	R96	2,9mm straight solder leads	every row , every pitch	No	2	No
V42254B1201R963	2-1393659-9	R96	2,9mm straight solder leads	row a+c , every pitch	No	2	No
V42254B1201R968	3-1393659-0	R96	2,9mm straight solder leads	row a+c , every even pitch	No	2	No
V42254B1202Q320	3-1393659-1	Q32	4,5mm straight solder leads	every row , every pitch	No	2	No
V42254B1202Q320N	3-1393659-2	Q32	4,5mm straight solder leads	every row , every pitch	No	2	No
V42254B1202Q640	3-1393659-4	Q64	4,5mm straight solder leads	every row , every pitch	No	2	No
V42254B1202R300	3-1393659-5	R30	4,5mm straight solder leads	every row , every pitch	No	2	No
V42254B1202R303	3-1393659-6	R30	4,5mm straight solder leads	row a+c , every pitch	No	2	No
V42254B1202R410	3-1393659-7	R48	4,5mm straight solder leads	every row , every pitch	No	2	Yes
V42254B1202R480	3-1393659-9	R48	4,5mm straight solder leads	every row , every pitch	No	2	No
V42254B1202R483	4-1393659-0	R48	4,5mm straight solder leads	row a+c , every pitch	No	2	No
V42254B1202R910	4-1393659-1	R96	4,5mm straight solder leads	every row , every pitch	No	2	Yes
V42254B1202R913	4-1393659-2	R96	4,5mm straight solder leads	row a+c , every pitch	No	2	Yes
V42254B1202R930	4-1393659-3	R96	4,5mm straight solder leads	every row , every pitch	Yes	2	No
V42254B1202R933	4-1393659-4	R96	4,5mm straight solder leads	row a+c , every pitch	Yes	2	No
V42254B1202R960	4-1393659-5	R96	4,5mm straight solder leads	every row , every pitch	No	2	No
V42254B1202R960N	4-1393659-6	R96	4,5mm straight solder leads	every row , every pitch	No	2	No
V42254B1202R963	4-1393659-7	R96	4,5mm straight solder leads	row a+c , every pitch	No	2	No
V42254B1202R965	4-1393659-8	R96	4,5mm straight solder leads	every row , every even pitch	No	2	No
V42254B1202R968	4-1393659-9	R96	4,5mm straight solder leads	row a+c , every even pitch	No	2	No
V42254B1203R963	5-1393659-0	R96	6,3mm straight solder leads	row a+c , every pitch	No	2	No
V42254B1230R303	5-1393659-1	R30	5,5/10mm solder hooks	row a+c , every pitch	No	2	No
V42254B1230R960	5-1393659-3	R96	5,5/10mm solder hooks	every row , every pitch	No	2	No
V42254B1230R963	5-1393659-4	R96	5,5/10mm solder hooks	row a+c , every pitch	No	2	No
V42254B1240Q640	5-1393659-6	Q64	13mm straight wire-wrap pins	every row , every pitch	No	2	No
V42254B1240R300	5-1393659-7	R30	13mm straight wire-wrap pins	every row , every pitch	No	2	No
V42254B1240R960	5-1393659-8	R96	13mm straight wire-wrap pins	every row , every pitch	No	2	No
V42254B1240R963	5-1393659-9	R96	13mm straight wire-wrap pins	row a+c , every pitch	No	2	No
V42254B1260R483	1393658-2	R48	13mm Press-in terminals with wire-wrap	row a+c , every pitch	No	2	No
V42254B1260R960	1393658-3	R96	13mm Press-in terminals with wire-wrap	every row , every pitch	No	2	No
V42254B1260R963	1393658-5	R96	13mm Press-in terminals with wire-wrap	row a+c , every pitch	No	2	No
V42254B1261R480	1393658-7	R48	17mm Press-in terminals with wire-wrap	every row , every pitch	No	2	No
V42254B1263Q320	9-1393501-4	Q32	3,7mm Press-in terminals	every row , every pitch	No	2	No
V42254B1263Q640	1393658-9	Q64	3,7mm Press-in terminals	every row , every pitch	No	2	No
V42254B1263R300	1-1393658-0	R30	3,7mm Press-in terminals	every row , every pitch	No	2	No
V42254B1263R300*40	1-1393658-1	R30	3,7mm Press-in terminals	every row , every pitch	No	2	No
V42254B1263R330	9-1393501-5	R30	3,7mm Press-in terminals	every row , every pitch	Yes	2	No
V42254B1263R480	1-1393658-2	R48	3,7mm Press-in terminals	every row , every pitch	No	2	No
V42254B1263R483	1-1393658-3	R48	3,7mm Press-in terminals	row a+c , every pitch	No	2	No
V42254B1263R960	1-1393658-4	R96	3,7mm Press-in terminals	every row , every pitch	No	2	No
V42254B1263R963	1-1393658-5	R96	3,7mm Press-in terminals	row a+c , every pitch	No	2	No
V42254B1266R300	1-1393658-6	R30	13mm Press-in terminals with wire-wrap an adapter insertion area	every row , every pitch	No	2	No
V42254B1266R483	1-1393658-7	R48	13mm Press-in terminals with wire-wrap an adapter insertion area	row a+c , every pitch	No	2	No
V42254B1266R960	1-1393658-8	R96	13mm Press-in terminals with wire-wrap an adapter insertion area	every row , every pitch	No	2	No
V42254B1266R963	1-1393658-9	R96	13mm Press-in terminals with wire-wrap an adapter insertion area	row a+c , every pitch	No	2	No
V42254B1270R300	3-1392009-6	R30	6,0mm Press-in terminals for PCB-thickness >=2,2mm	every row , every pitch	No	2	No
V42254B1270R960	2-1393658-1	R96	6,0mm Press-in terminals for PCB-thickness >=2,2mm	every row , every pitch	No	2	No
V42254B1270R963	2-1393658-2	R96	6,0mm Press-in terminals for PCB-thickness >=2,2mm	row a+c , every pitch	No	2	No
V42254B1270R968	2-1393658-3	R96	6,0mm Press-in terminals for PCB-thickness >=2,2mm	row a+c , every even pitch	No	2	No
V42254B1468R960	3-1393658-8	R96	20mm Press-in terminals with wire-wrap an adapter insertion area	every row , every pitch	No	1	No
V42254F1101R480	7-1393659-4	R48	2,9mm straight solder leads	every row , every pitch	No	1	No
V42254F1201R410	7-1393659-5	R48	2,9mm straight solder leads	every row , every pitch	No	2	Yes

4) According to BT 222 level 1.
3) Connectors with flux-tight coating.
2) No company name marked on the connector.
1) First and last contact of each loaded row is a pre-mating (make first / break last) contact.

Active Part Numbers.
Contact Tyco Electronics for other configuration availability.

tyco TYCO ELECTRONICS CORPORATION		SCALE		WEIGHT	
OOSTKAMP - BELGIUM		DIMENSIONS IN MM		MATERIAL	
DATE 21.02.89		PART NAME		Pin Assembly Eurocard	
NAME Cuweller		PART NO.		Types Q, R and short versions.	
DEP. PE Com		TOLERANCE UNLESS SPECIFIED OTHERWISE		V42254-B1***-R***-7626	
REV. F4 SEE SHEET 1		APP. Customer Drawing Nr. C 9-1393501-4		SHT. 5-	
CH-CHANGE ORDER		DATE		OF 3	

THIS INFORMATION IS CONFIDENTIAL AND PROPRIETARY TO TYCO ELECTRONICS CORPORATION AND ITS WORLDWIDE SUBSIDIARIES AND AFFILIATES. IT MAY NOT BE DISCLOSED TO ANYONE, OTHER THAN TYCO ELECTRONICS CORPORATION, WITHOUT WRITTEN AUTHORIZATION FROM TYCO ELECTRONICS CORPORATION, HARRISBURG, PENNSYLVANIA USA.