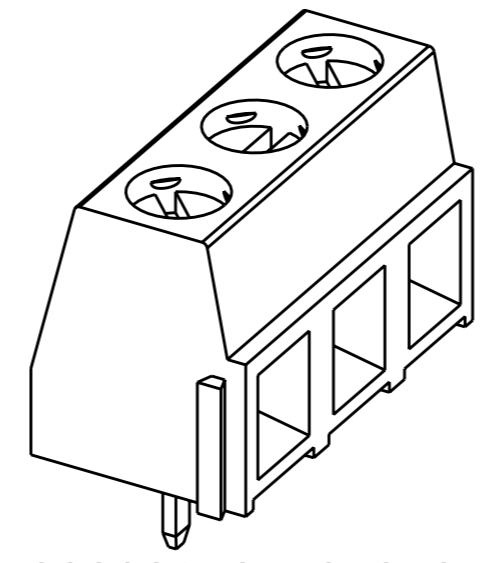
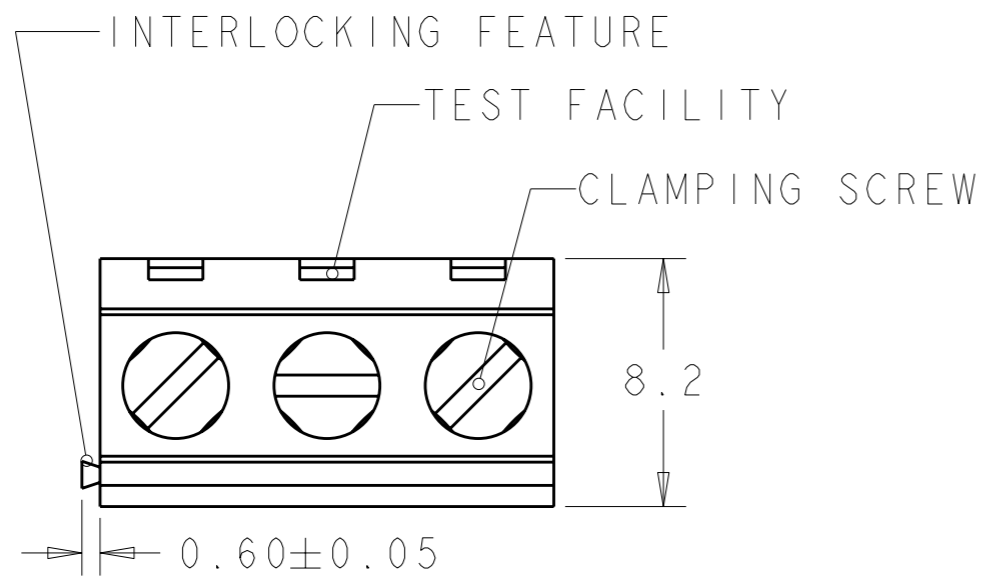


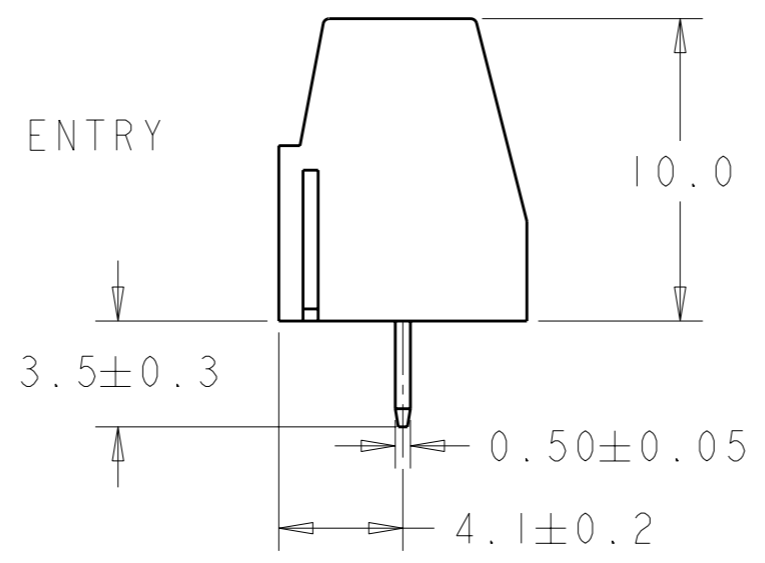
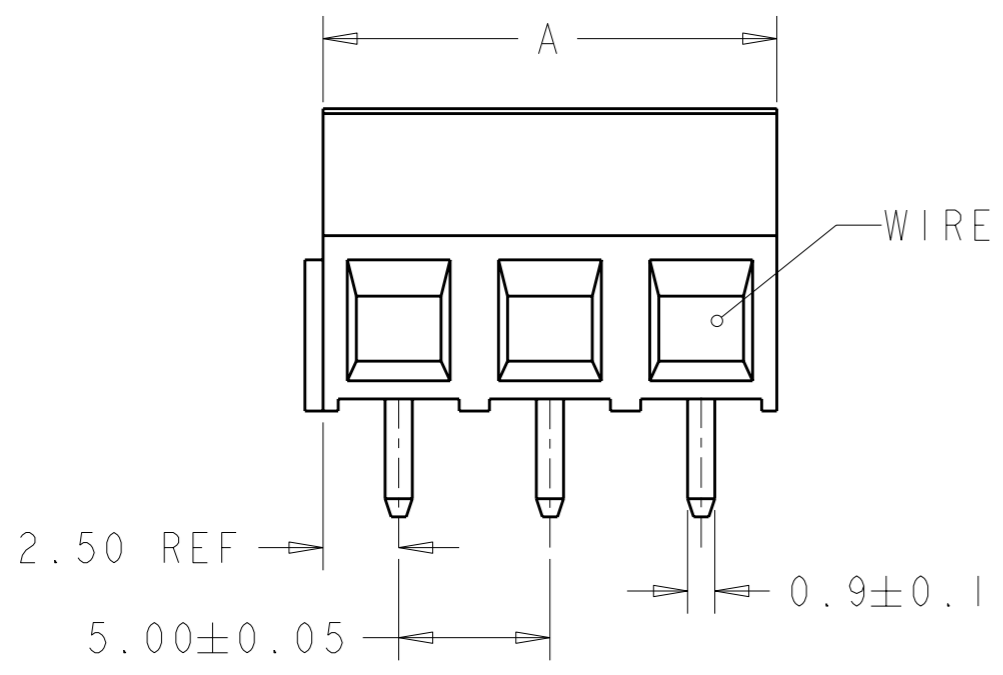
THIS DRAWING IS UNPUBLISHED. RELEASED FOR PUBLICATION 20
 © COPYRIGHT 20 BY TYCO ELECTRONICS CORPORATION. ALL RIGHTS RESERVED.

| LOC | DIST | REVISIONS | | | |
|-----|------|------------------------------|-----------|-----|------|
| P | LTR | DESCRIPTION | DATE | DWN | APVD |
| FT | 0 | | | | |
| | D | REVISED PER 0G3B-0106-01 | 24AUG2001 | EZ | DB |
| | E | REVISED PER 0G3B-0119-01 | 24AUG2001 | EZ | DB |
| | F | ADDED 2-7, EC 0G3B-0236-01 | 05DEC2002 | SW | CR |
| | G | REACTIVATE -1, ECO-06-013873 | 14JUN2006 | SW | CR |

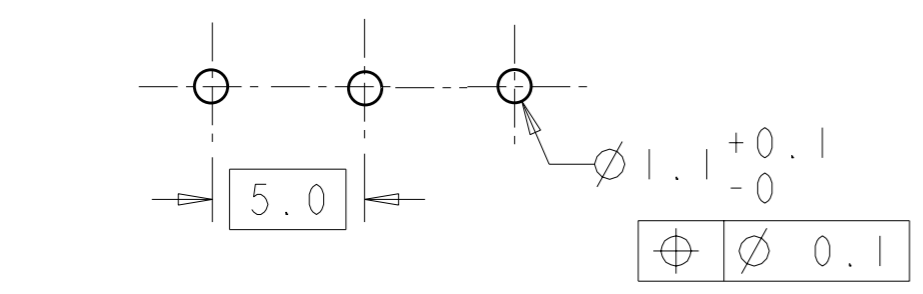


282836-3 AS SHOWN

| | | | |
|-------------|-----|----|------------|
| SEE SHEET 3 | 30 | 6 | 2-282836-7 |
| | 125 | 25 | 2-282836-6 |
| | 120 | 24 | 2-282836-5 |
| | 115 | 23 | 2-282836-4 |
| | 110 | 22 | 2-282836-3 |
| | 105 | 21 | 2-282836-2 |
| | 100 | 20 | 2-282836-1 |
| | 95 | 19 | 2-282836-0 |
| | 90 | 18 | 1-282836-9 |
| | 85 | 17 | 1-282836-8 |
| | 80 | 16 | 1-282836-7 |
| | 75 | 15 | 1-282836-6 |
| | 70 | 14 | 1-282836-5 |
| | 65 | 13 | 1-282836-4 |
| SEE SHEET 3 | 10 | 2 | 1-282836-3 |
| | 60 | 12 | 1-282836-2 |
| | 55 | 11 | 1-282836-1 |
| | 50 | 10 | 1-282836-0 |
| | 45 | 9 | 282836-9 |
| | 40 | 8 | 282836-8 |
| | 35 | 7 | 282836-7 |
| | 30 | 6 | 282836-6 |
| | 25 | 5 | 282836-5 |
| | 20 | 4 | 282836-4 |
| | 15 | 3 | 282836-3 |
| | 10 | 2 | 282836-2 |
| | 10 | 2 | 282836-1 |



SEE SHEET 2

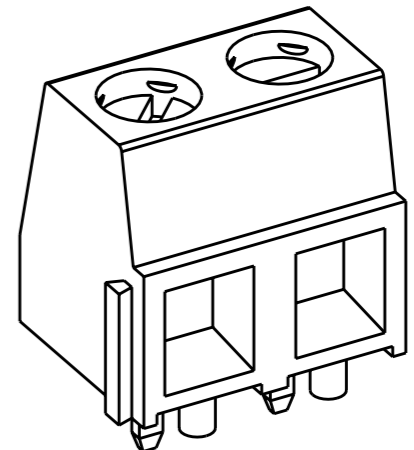
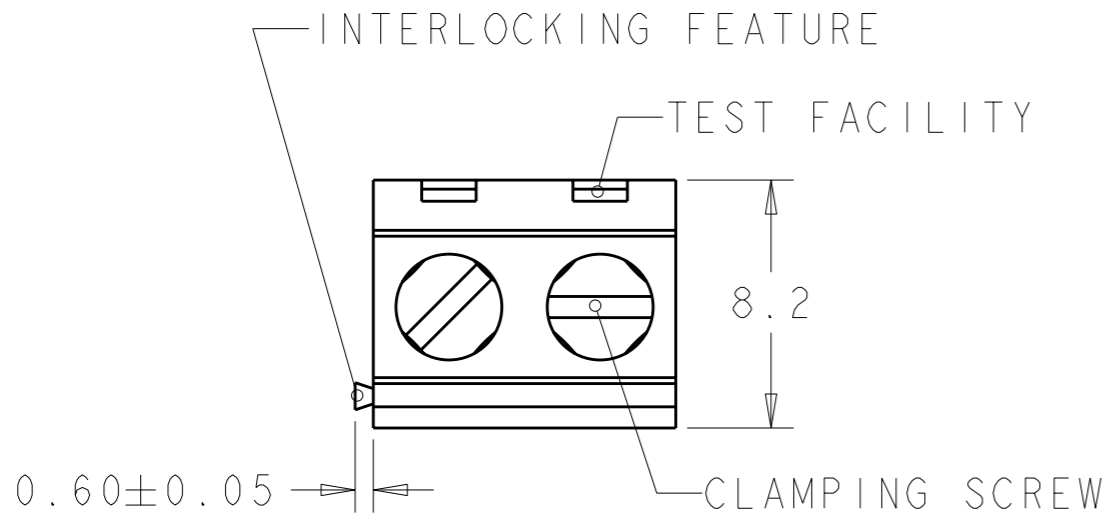


RECOMMENDED PC BOARD LAYOUT

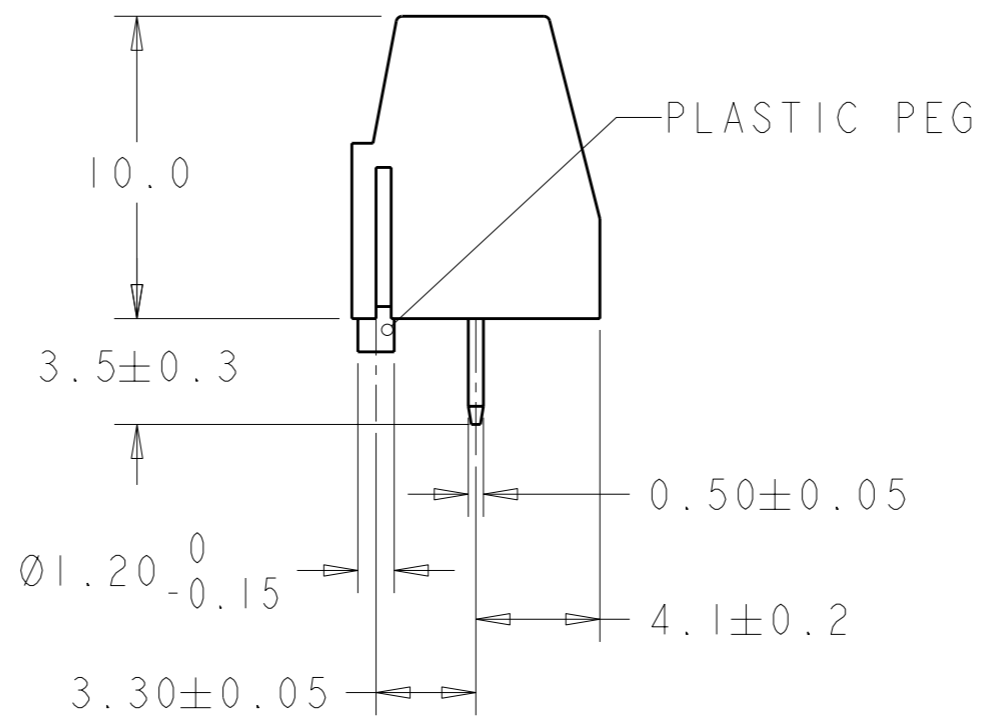
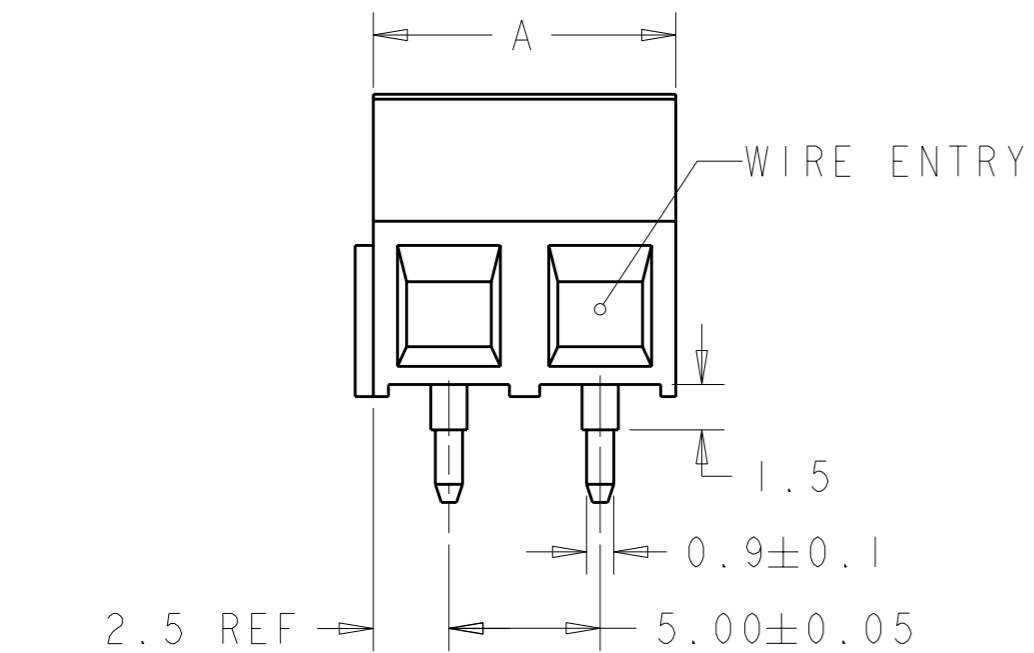
| | | | | | |
|--|--|---|--|---|--|
| <small>THIS DRAWING IS A CONTROLLED DOCUMENT FOR TYCO ELECTRONICS CORPORATION. IT IS SUBJECT TO CHANGE AND THE CONTROLLING ENGINEERING ORGANIZATION SHOULD BE CONTACTED FOR THE LATEST REVISION.</small> | | DWN 24AUG2001 E. ZANOLINI | | BUCHANAN Tyco Electronics Harrisburg, PA 17105-3608 | |
| DIMENSIONS: mm | | TOLERANCES UNLESS OTHERWISE SPECIFIED: 0 PLC ±.2 1 PLC ±.2 2 PLC ±.15 3 PLC ±. 4 PLC ±. ANGLES ±2 | | NAME TERMINAL BLOCK PCB MOUNT SIDE ENTRY WIRE, STACKING W/INTERLOCK, 5mm PITCH | |
| MATERIAL - | | FINISH - | | PRODUCT SPEC 108-20166 APPLICATION SPEC 114-20079 | |
| WEIGHT - | | CUSTOMER DRAWING | | SIZE A3 CAGE CODE 00779 DRAWING NO C-282836 RESTRICTED TO - | |
| SCALE 2:1 | | | | SHEET 1 OF 3 REV G | |

THIS DRAWING IS UNPUBLISHED. RELEASED FOR PUBLICATION 20
 © COPYRIGHT 20 BY TYCO ELECTRONICS CORPORATION. ALL RIGHTS RESERVED.

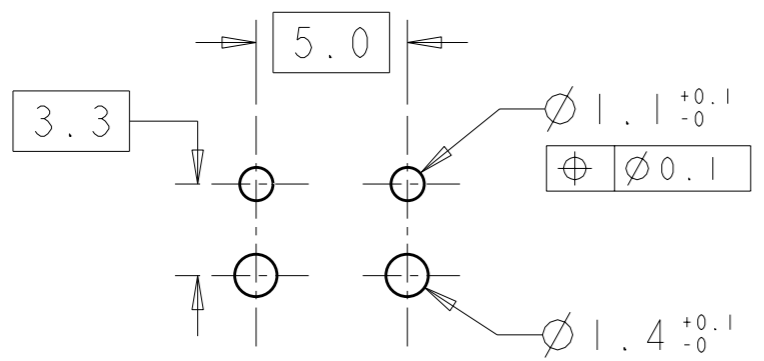
| LOC | DIST | REVISIONS | | | | |
|-----|------|-------------|-------------|-----|------|--|
| P | LTR | DESCRIPTION | DATE | DWN | APVD | |
| FT | 0 | - | SEE SHEET 1 | - | - | |
| | | | | | | |
| | | | | | | |



282836-1 AS SHOWN
 PEG VERSION



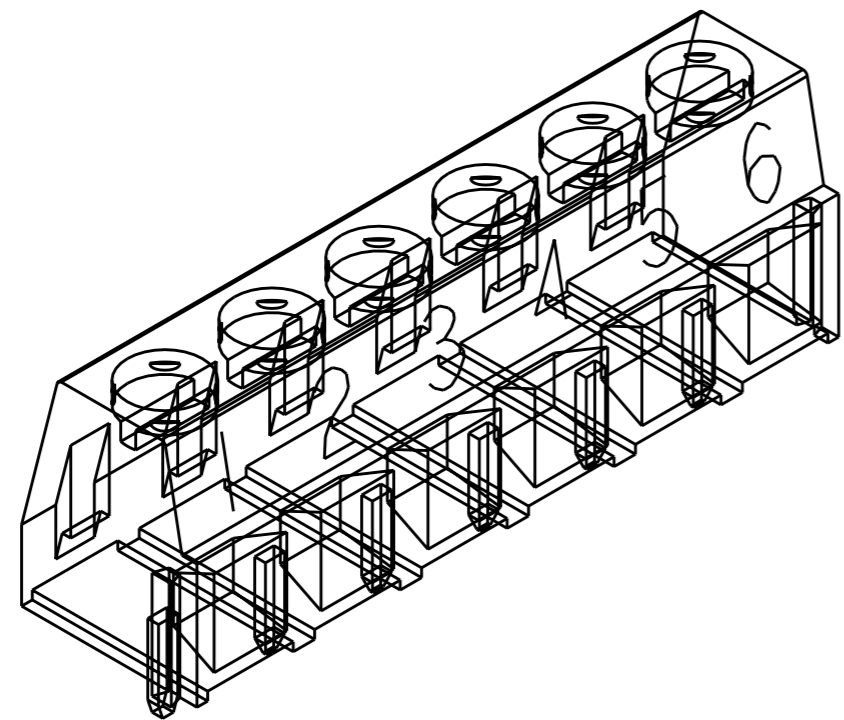
RECOMMENDED PC BOARD LAYOUT



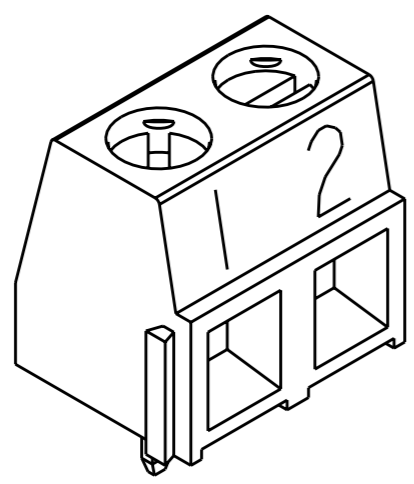
| | | | | |
|--|--------|-----------------------------------|---|--------------------|
| THIS DRAWING IS A CONTROLLED DOCUMENT FOR TYCO ELECTRONICS CORPORATION IT IS SUBJECT TO CHANGE AND THE CONTROLLING ENGINEERING ORGANIZATION SHOULD BE CONTACTED FOR THE LATEST REVISION. | | DWN E. ZANOLINI 24AUG2001 | Tyco Electronics Harrisburg, PA 17105-3608 | |
| DIMENSIONS: mm | | CHK D. BIEVENOUR 24AUG2001 | BUCHANAN | |
| TOLERANCES UNLESS OTHERWISE SPECIFIED: 0 PLC ±. 1 PLC ±.2 2 PLC ±.15 3 PLC ±. 4 PLC ±. ANGLES ±2 | | APVD D. BIEVENOUR 24AUG2001 | NAME TERMINAL BLOCK PCB MOUNT SIDE ENTRY WIRE, STACKING W/INTERLOCK, 5mm PITCH | |
| MATERIAL | FINISH | PRODUCT SPEC | SIZE A3 | CAGE CODE 00779 |
| | | APPLICATION SPEC | DRAWING NO C-282836 | RESTRICTED TO |
| | | WEIGHT | SCALE 2:1 SHEET 2 OF 3 REV G | |
| CUSTOMER DRAWING | | | | |

THIS DRAWING IS UNPUBLISHED. RELEASED FOR PUBLICATION 20
 © COPYRIGHT 20 BY TYCO ELECTRONICS CORPORATION. ALL RIGHTS RESERVED.

| LOC | DIST | REVISIONS | | | |
|-----|------|-------------|------|-----|------|
| P | LTR | DESCRIPTION | DATE | DWN | APVD |
| FT | 0 | SEE SHEET 1 | - | - | - |
| | | | | | |
| | | | | | |



2-282836-7 AS SHOWN



1-282836-3 AS SHOWN

- 1 MATERIALS AND FINISH
 HOUSING: PA 6-6, UL 94-V0, COLOR GREEN.
 CLAMP: BRASS, NICKEL PLATED.
 TERMINAL: BRASS, TIN PLATED.
 CLAMPING SCREW: M3, BRASS, NICKEL PLATED.
- 2 SUITABLE FOR 1,6-2,4mm PC BOARD THICKNESS.
- 3 END-TO-END STACKABLE W/INTERLOCK WITHOUT LOSS OF CENTERLINE SPACING.
- 4 WIRE SIZE RANGE
 SOLID WIRE: 0,03-1,5mm² (15AWG).
 STRANDED WIRE: 0,03-1mm² (17AWG).
- 5 RECOGNIZED UNDER THE COMPONENT PROGRAM OF UNDERWRITERS LABORATORIES INC. FILE N° E60677.
- 6 IMQ CERTIFICATE WITH SURVEILLANCE IN CONFORMITY WITH IEC 998-1/998-2-1.
- 7 NOT CUMULATIVE TOLERANCE.
- 8 INK MARKING, WHITE COLOR, UNLESS OTHERWISE SPECIFIED. NUMERICAL SEQUENCE FROM LEFT TO RIGHT UNLESS OTHERWISE SPECIFIED.

| | | | | | |
|---|--|--|--|---|--|
| <small>THIS DRAWING IS A CONTROLLED DOCUMENT FOR TYCO ELECTRONICS CORPORATION IT IS SUBJECT TO CHANGE AND THE CONTROLLING ENGINEERING ORGANIZATION SHOULD BE CONTACTED FOR THE LATEST REVISION.</small> | | DWN 24AUG2001 E. ZANOLINI | | BUCHANAN Tyco Electronics Harrisburg, PA 17105-3608 | |
| DIMENSIONS: mm | | TOLERANCES UNLESS OTHERWISE SPECIFIED: 0 PLC ±- 1 PLC ±.2 2 PLC ±.15 3 PLC ±- 4 PLC ±- ANGLES ±2 | | NAME TERMINAL BLOCK PCB MOUNT SIDE ENTRY WIRE, STACKING W/INTERLOCK, 5mm PITCH | |
| | | MATERIAL - FINISH - | | SIZE A3 CAGE CODE 00779 DRAWING NO C-282836 RESTRICTED TO - | |
| CUSTOMER DRAWING | | SCALE 4:1 | | SHEET 3 OF 3 REV G | |