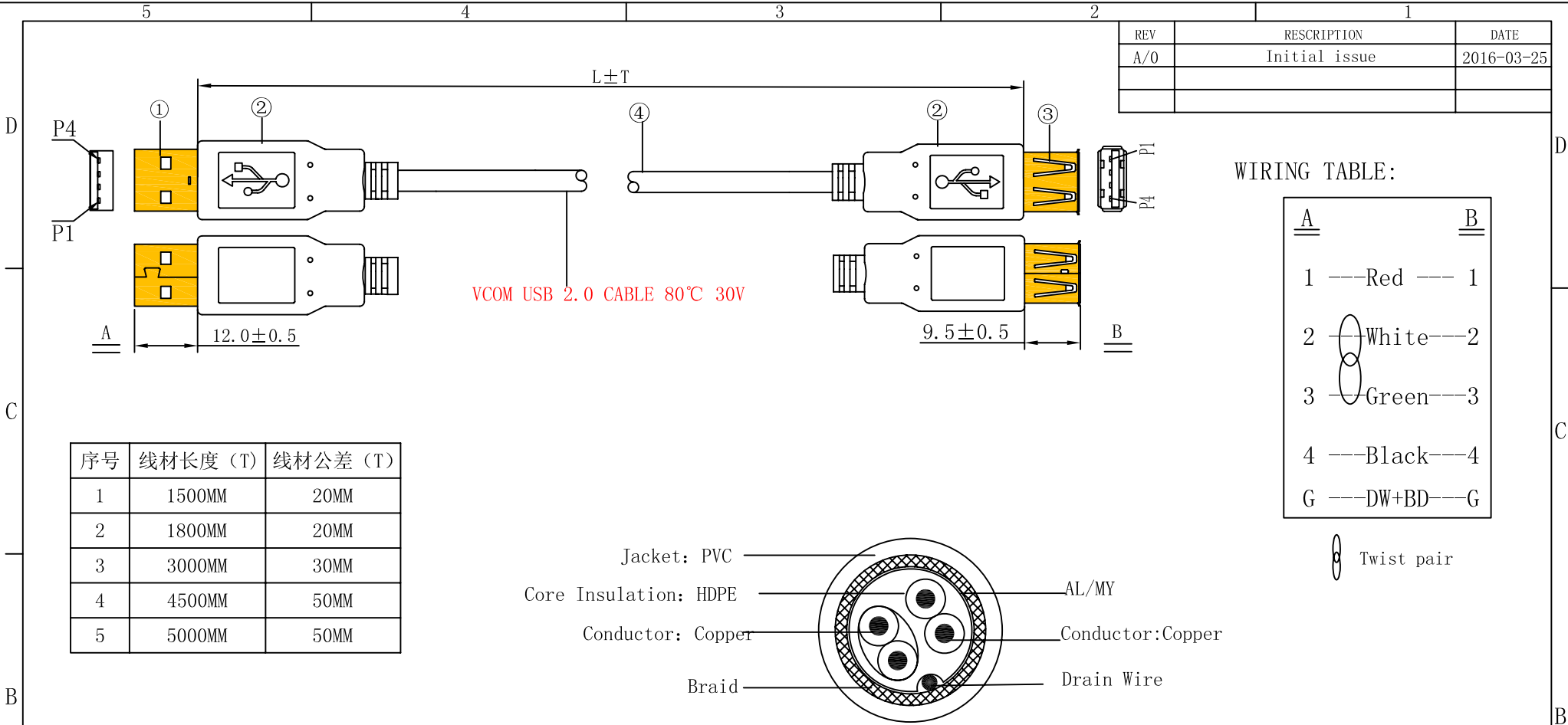


REV	DESCRIPTION	DATE
A/0	Initial issue	2016-03-25



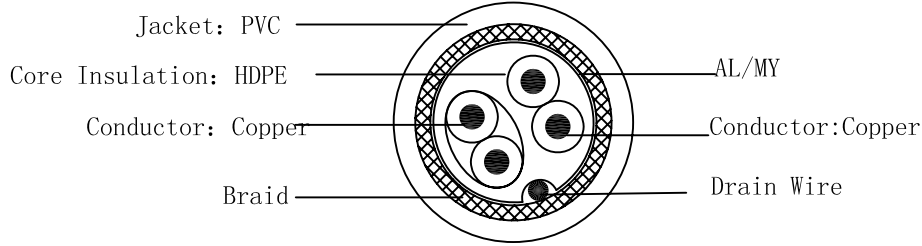
VCOM USB 2.0 CABLE 80°C 30V

WIRING TABLE:

<u>A</u>	<u>B</u>
1 ---Red---	1
2 White---	2
3 Green---	3
4 ---Black---	4
G ---DW+BD---	G

Twist pair

序号	线材长度 (T)	线材公差 (T)
1	1500MM	20MM
2	1800MM	20MM
3	3000MM	30MM
4	4500MM	50MM
5	5000MM	50MM



Test Conditions:

1. 100% open & short circuit test;
2. Insulation Resistance: 2.0Mohm (MIN);
3. Conduction Resistance: 5.0ohm (MAX) at 300V DC/0.01S .

VCOM VCOM INTERNATIONAL LTD.

ITEM	USBAM/AF 2.0V	CUSTOMER	ETE	UNITS	mm	PAGE: 1 of 1
PART NO.	VC-F02-0007	CUSTOMER NO.				
PRODUCT NO.		REV:	A/0	DATE	2016-03-25	
DRAWN BY: CHEN		CHECKED BY:		APPROVED BY:		

④	③	②	①
CABLE: [1P+2C+AL/MY+DW+BD, CONDUCTOR:OFC], OD: 4.5mm, PVC JACKET, BLACK	USB A FEMALE SOLDERING TYPE, GOLD-PLATED PBT WHITE COLOR	OVER MOLDING: PVC-50P BLACK PVC	USB A MALE SOLDERING TYPE, GOLD-PLATED PBT WHITE COLOR
mm 1.5-5	SET 1	g 13.5	SET 1
UNITS	QUANTITY		

编号	材料内容	UNITS	QUANTITY
5			
4			
3			
2			
1			