



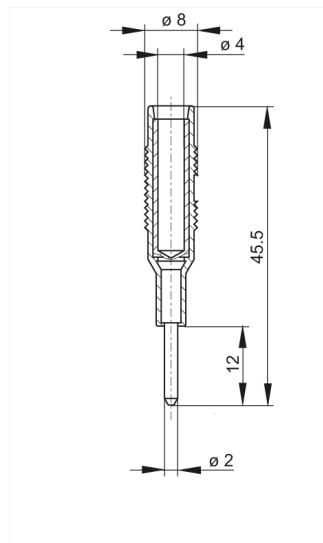
## MZS 2 schwarz/black

Industrial Connectors:Measuring and Testing Equipment:Plugs:2 mm system

### Product description

Description	Injection-moulded adapter plug from 2 mm diameter plug to 4 mm diameter socket. This adapter plug enables the use of 4 mm plugs and 2 mm measuring leads.
Type	MZS 2 schwarz/black
Order No.	973 600-100
System	2 mm system, 4 mm system
Housing Color	black
Other standard types	red color, order no. 973 600-101

### Drawing



### Technical data

Pin dimensions	2 mm pin and 4 mm socket
Type of contact	pin, socket
Type of termination	plug
Rated voltage	DC 60 V
Rated current	6 A
Contact resistance	6 mOhm

### Material

Contact material	brass
Contact surface material	nickel-plated
Housing material	PP

### Environmental conditions

Temperature range	-20 °C to +60 °C
-------------------	------------------

### Inflammability class

Housing	94 HB
---------	-------