

NOTES: UNLESS OTHERWISE SPECIFIED

1. FOR USE WITH RG-59, 59A, 59B, 62 & 62A CABLES
2. FOR CABLE INSTRUCTIONS SEE CP-441
3. FOR CRIMPING USE DIE KTH-2061
4. FOR TRIMMING USE KTJ-72 & KTD-136
5. INTERFACE PER MIL-STD-348, SERIES SHV, SOCKET CONTACT
6. MATERIALS:

INSULATOR: PTFE PER ASTM D4894
 GASKET: SILICONE RUBBER PER A-A-59588
 K-GRIP SLEEVE: COMMERCIAL BRONZE TUBE PER ASTM B135
 SPRING WASHER & CONTACTS: BERYLLIUM COPPER PER ASTM B196
 ALL OTHERPARTS: BRASS PER ASTM B16

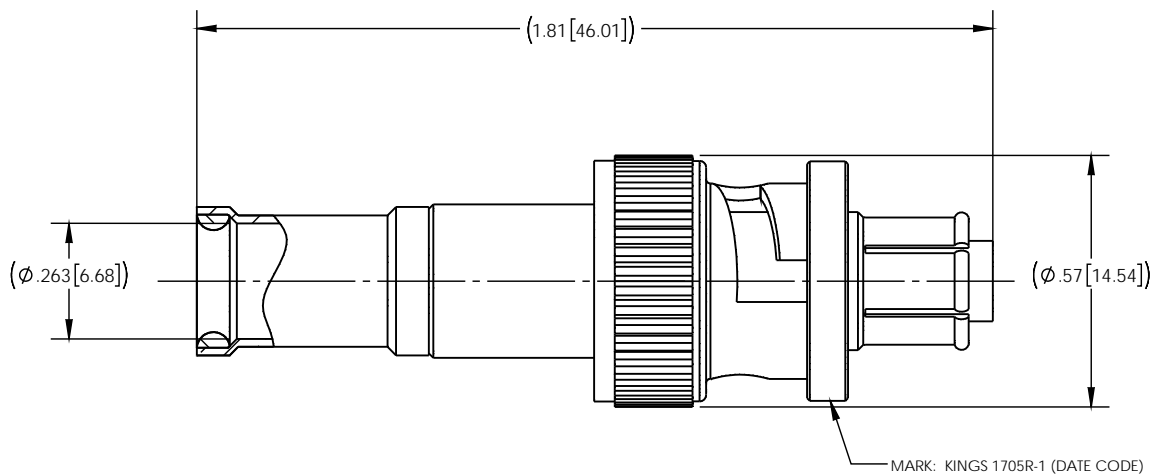
7. FINISHES:

CENTER CONTACT: .000050 MIN GOLD PER ASTM B488 OVER .000050 MIN NICKEL PER ASTM-QQ-N-290
 SPRING WASHER: .000200 SILVER PER ASTM B700 OVER .000020 MIN COPPER PER ASTM B734
 ALL OTHER METAL PARTS: .000050 MIN NICKEL PER AMS-QQ-N-290 OVER .000050 MIN COPPER PER ASTM B734

8. ELECTRICAL CHARACTERISTICS:

OPERATING VOLTAGE: 3500 VOLTS AC
 5000 VOLTS DC

REV	DESCRIPTION	BY DATE	APPD
A	UPDATED CABLES ER069326	DCam 7/28/17	DCam



CATALOG P/N: 1705R-1

PER ASME Y14.5M-1994 UNLESS OTHERWISE SPECIFIED: DIMENSIONS ARE IN INCHES TOLERANCES: DECIMAL: XX ± .01 XXX ± .005 XXXX ± .000X ANGLES: ± 1°				Winchester Electronics Corporation by WINCHESTER 199 Park Road Ext Suite 104 Middlebury, Connecticut 06762	
CUSTOMER SALES DRAWING			THIRD ANGLE		
PLUG, SHV (ROHS COMPLIANT)			SCALE: 3:1		
DRAWN	DATE	APPROVED	DATE	REV	APPD
KTH	08/17/11	XXX	XX/XX/XX		
APPROVED	DATE	APPROVED	DATE		
DCam	08/17/11	XXX	XX/XX/XX	A	
SD1705R-1				SHT	OF
				1	1
				REV	A

Mouser Electronics

Authorized Distributor

Click to View Pricing, Inventory, Delivery & Lifecycle Information:

[Winchester Interconnect:](#)

[1705R-1](#)