

NOTES:

1. ALL PARTS TO BE BULK PACKED UNLESS NOTED.
2. INSTA CLICK CABLE-END ASSEMBLY IS SUPPLIED AS A KIT. COUPLING RING, ORINGS CONTACTS (3-4), HEX SCREWS ARE ALL ASSEMBLED.
3. ALL DIMENSIONS ARE REFERENCED IN INCHES [MM], WITHIN ± 0.015 UNLESS NOTED.

PART NUMBER SYSTEM

W3Z85-XSG-P-3XX

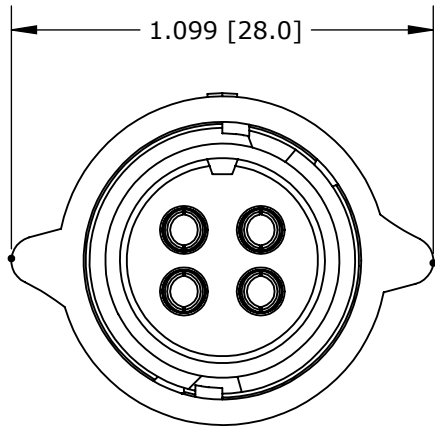
SCREW TERMINAL CONTACT
SIZE #14

CONTACTS POSITION
[3 & 4]

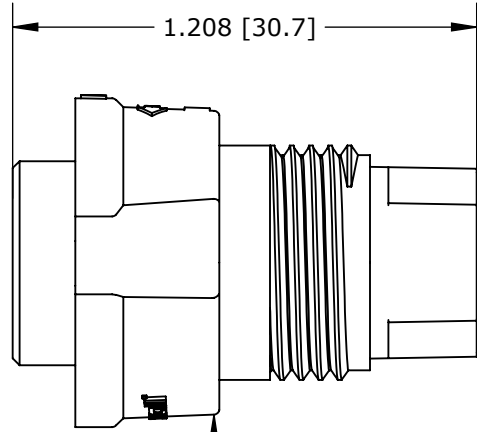
GROMMET SIZE & CABLE OD RANGE (LARGER TO SMALLER)
35 - .375 GROMMET I.D FOR CABLE OD .35-.40 [8.9 - 10.2]
30- .312 GROMMET I.D FOR CABLE OD .30-.32 [7.6 - 8.1]
28- .285 GROMMET I.D FOR CABLE OD .28-.29 [7.1 - 7.4]

ASSEMBLY PART NUMBERS	CABLE OD RANGE
W3Z85-3SG-P-328	0.28 - 0.29
W3Z85-3SG-P-330	0.30 - 0.32
W3Z85-3SG-P-335	0.35 - 0.40
W3Z85-4SG-P-328	0.28 - 0.29
W3Z85-4SG-P-330	0.30 - 0.32
W3Z85-4SG-P-335	0.35 - 0.40

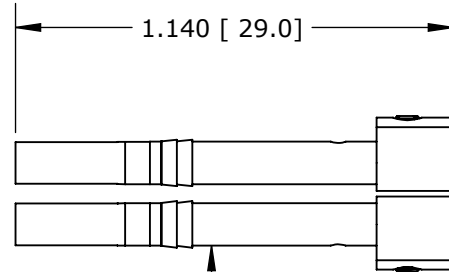
CUSTOMER PRINT



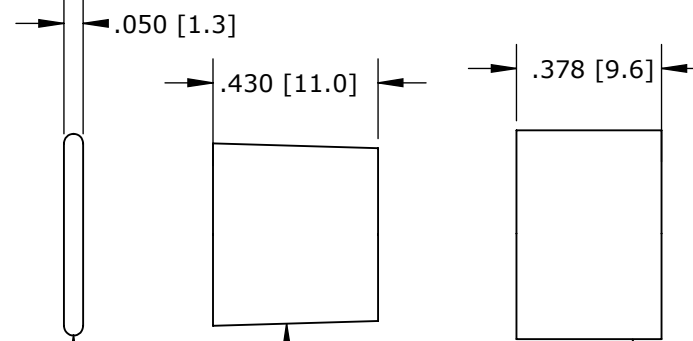
MATING FACE
ASSY: W3Z85-4SG-P-3XX SHOWN



(3-4) #14 SOCKET CONTACT
(SHIPPED ASSEMBLED)
MATL: COPPER ALLOY, GOLD PLATED



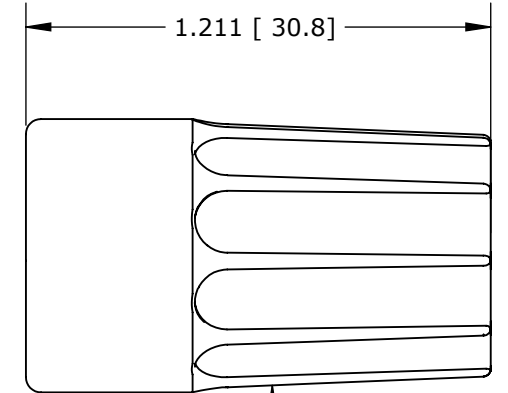
(3-4) SET SCREW
(SHIPPED ASSEMBLED)
MATL: 18-8 STAINLESS STEEL



O-RING
MATL: RUBBER, BLK

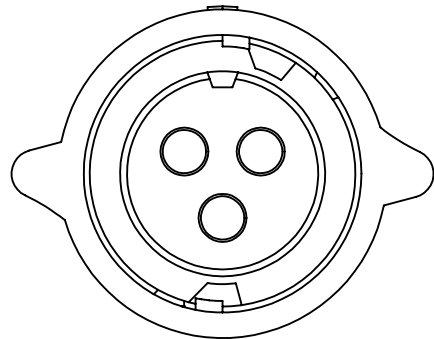
SINGLE, GROMMET
MATL: SANTOPRENE BLK
(DIFFERENT SIZES AVAILABLE)

SLEEVE, LARGE
MATL: THERMOPLASTIC, BLK

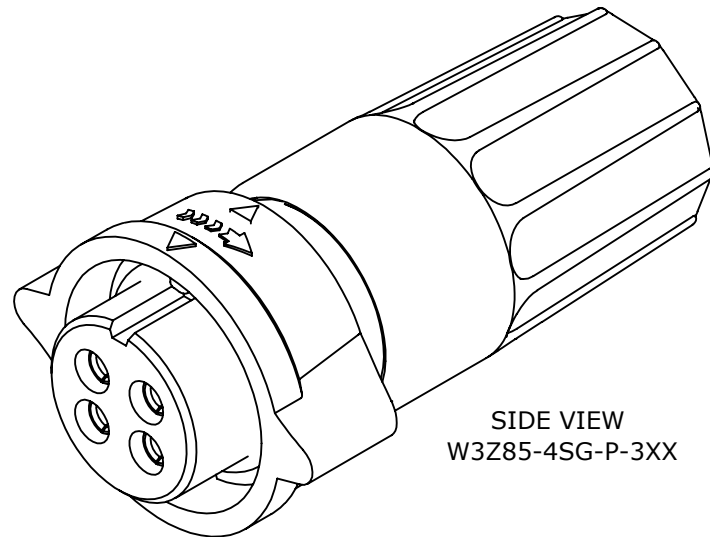


BACKSHELL
MATL: THERMOPLASTIC, BLACK

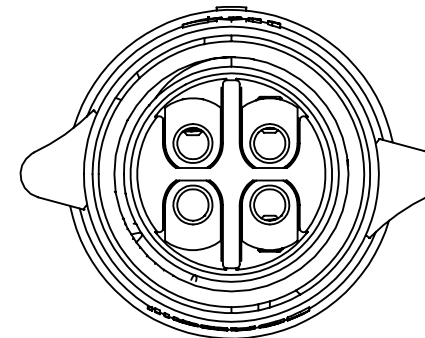
CABLE END CONN KIT
MATERIAL:
HOUSING-BLK THERMOPLASTIC
COUPLING RING-BLK THERMOPLASTIC
O-RING: RED SILICONE
INTERNAL SPRING: STAINLESS STEEL



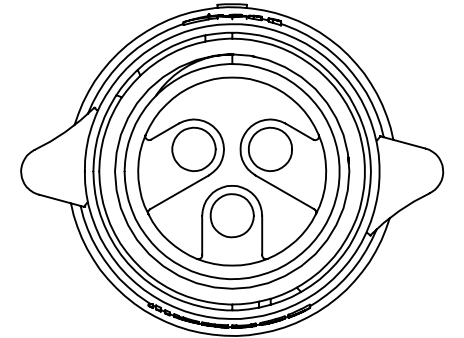
MATING FACE
ASSY: W3Z85-3SG-P-3XX SHOWN



SIDE VIEW
W3Z85-4SG-P-3XX



WIRING END VIEW (4 POS)
WITHOUT REAR END HARDWARE



WIRING END VIEW (3 POS)
WITHOUT REAR END HARDWARE

CUSTOMER APPROVAL

THIS DOCUMENT CONTAINS CONFIDENTIAL INFORMATION PROPRIETARY TO CONXALL CORPORATION. ANY REPRODUCTION, DISCLOSURE, OR USE OF THIS DOCUMENT /INFORMATION IS EXPRESSLY PROHIBITED UNLESS AUTHORIZED IN WRITING BY CONXALL CORPORATION.

APPROVED BY: _____
DATE: _____

(RoHS COMPLIANT)

0A	AM	02/18/22	FIRST DRAWN
REV.	INIT.	DATE	DESCRIPTION
	AM	02/18/22	
<small>ALL INFORMATION ILLUSTRATED IS THE PROPERTY OF CONXALL CORPORATION. UNAUTHORIZED DUPLICATION OR DISTRIBUTION OF THIS DOCUMENT IS PROHIBITED.</small>			<p>601 E. WILDWOOD VILLA PARK, IL 60181</p>
<small>ALL UNITS ARE IN FEET, INCHES, FRACTION OF INCHES AND DECIMALS. UNLESS OTHERWISE SPECIFIED TOLERANCES: 3 PLACE DECIMALS ±.005 ANGLES ±1° FRACTIONS ±1/16 - CRITICAL CHARACTERISTIC FLAG PER SPEC. XXXX</small>			
APPROVED BY:		SCALE	TITLE
DATE:		NTS	CABLE END CONNECTOR
		SIZE	(3-4) #14 SOCKET CONTACTS
		B	MULTI CONX INSTA-CLICK SCREW TERM
		SHEET	STANDARD PRODUCT
		1 OF 1	
FILE:	DIRECTORY:	PART NUMBER:	REV
FILE NAME	SLW	W3Z85-XSG-P-3XX	0A

PART NUMBER: W3Z85-XSG-P-3XX

Mouser Electronics

Authorized Distributor

Click to View Pricing, Inventory, Delivery & Lifecycle Information:

Switchcraft:

[W3Z85-3SG-P-328](#) [W3Z85-3SG-P-330](#) [W3Z85-3SG-P-335](#) [W3Z85-4SG-P-328](#) [W3Z85-4SG-P-330](#) [W3Z85-4SG-P-335](#)