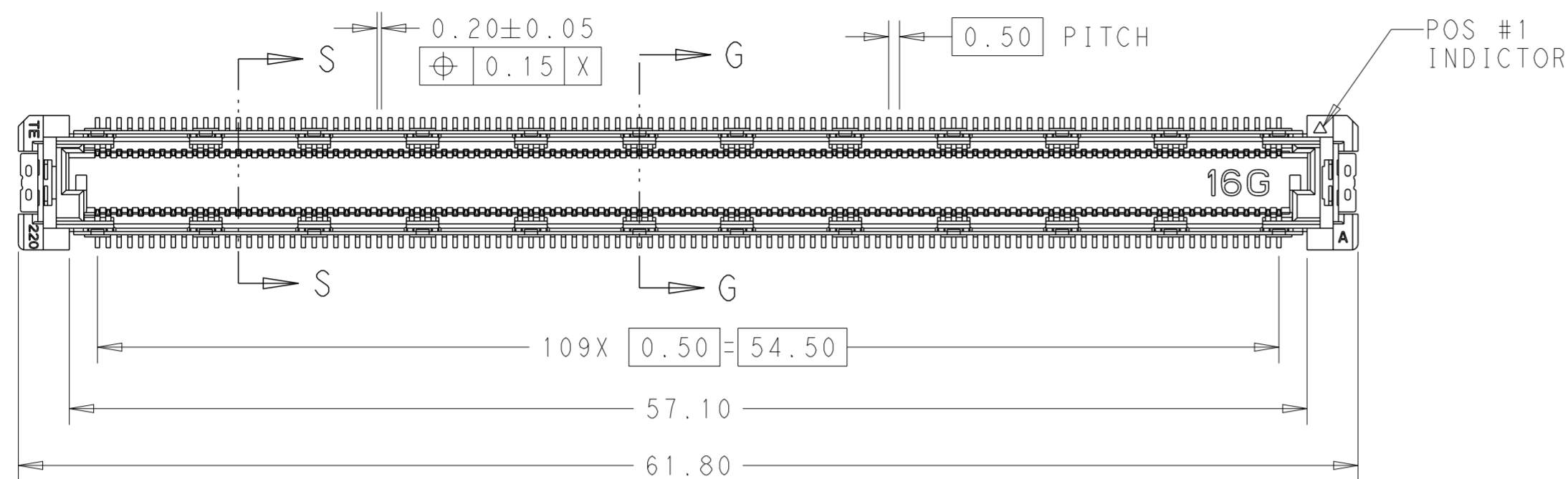
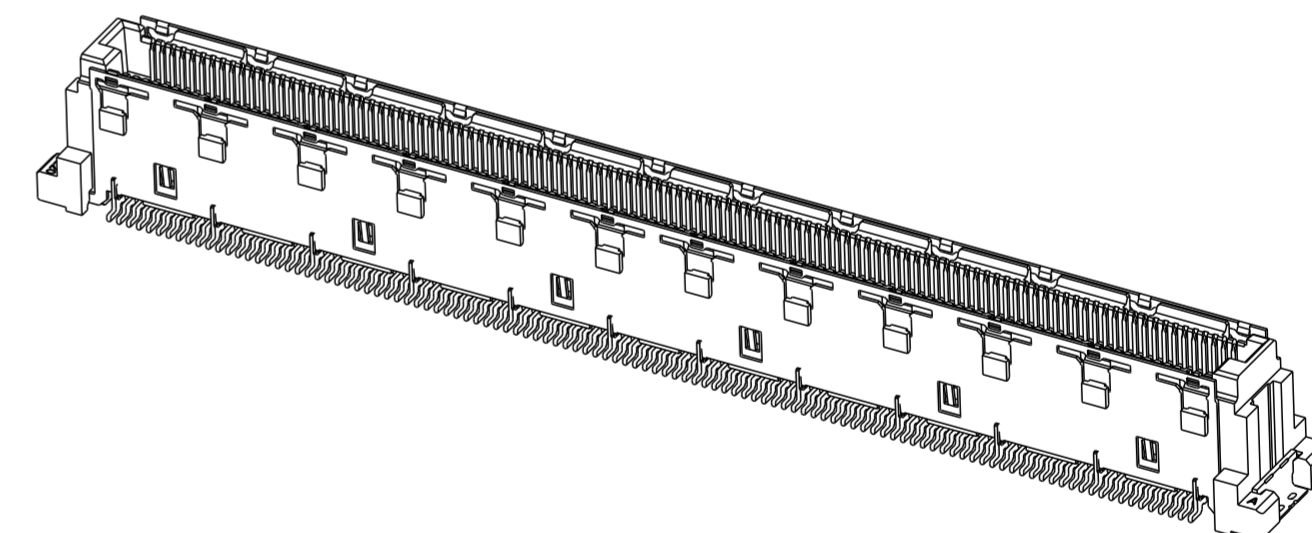
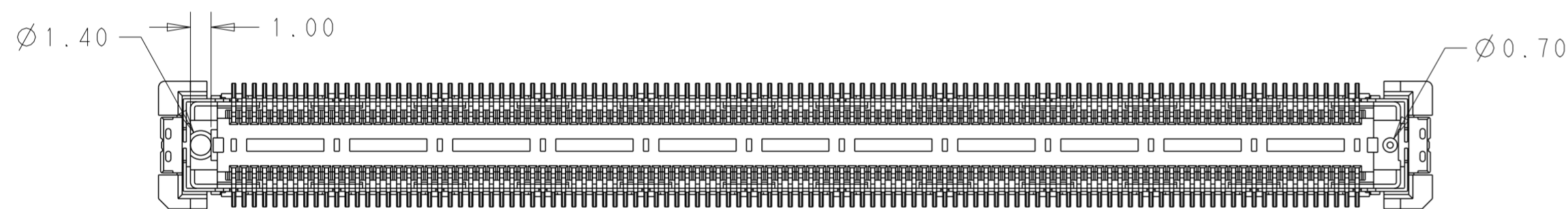
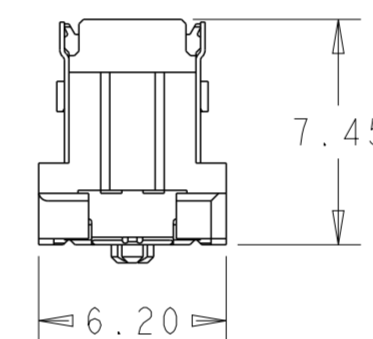
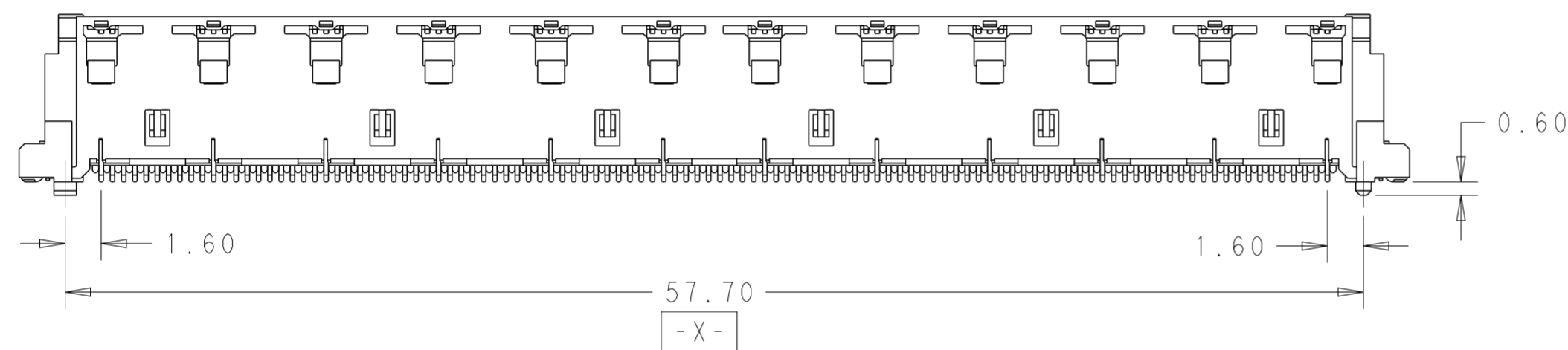


P	LTR	DESCRIPTION	DATE	DWN	APVD
1		INITIAL RELEASE	25JUN2019	AL	HL
2		SOLDER AREA MATTE TIN	12OCT2019	AL	HL
3		CORRECT NOTE DESCRIPTION	01APR2020	A.L	H.L
A		FORMAL RELEASE	13OCT2020	A.L	H.L

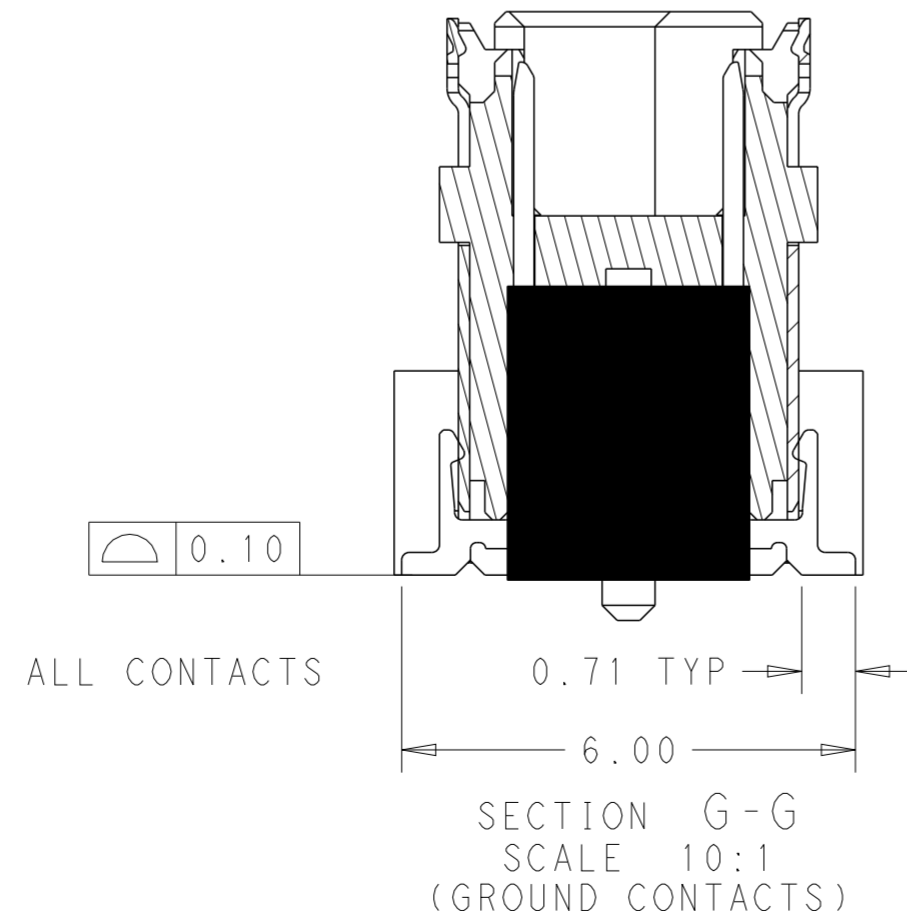
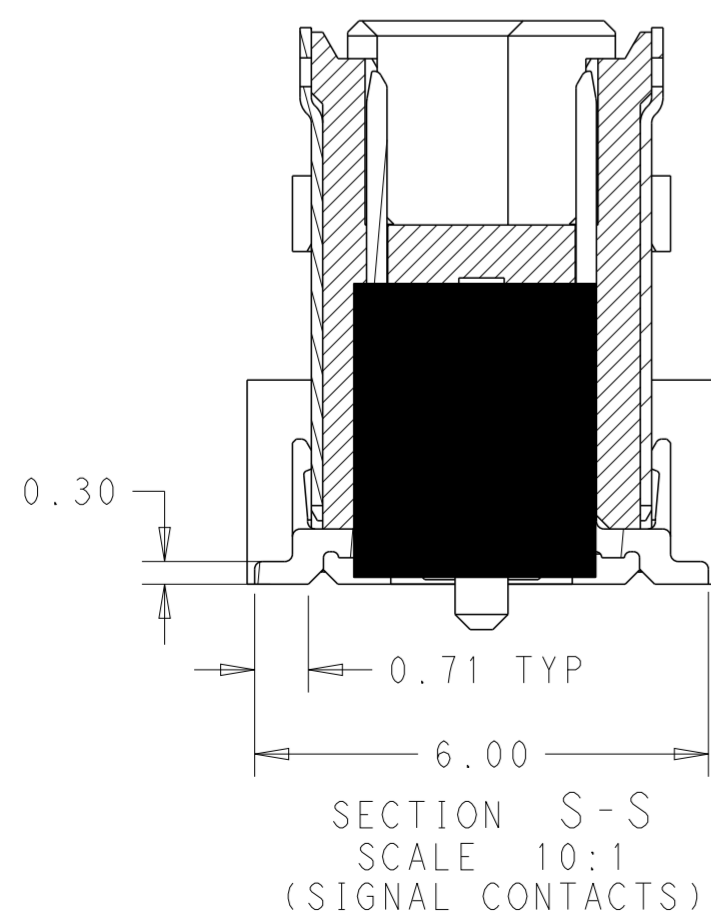


NOTES:

- MATERIAL  
 HOUSING : HIGH TEMP THERMO PLASTIC UL94V-0  
 CONTACT : COPPER ALLOY  
 SOLDER PEG : COPPER ALLOY  
 GROUND PLATE : COPPER ALLOY
- FINISH  
 UNDERPLATED : 1.27um MIN. NICKEL ALL OVER  
 CONTACT MATING AREA : MEETS THE PERFORMANCE REQUIREMENTS OF TE CONNECTIVITY PRODUCT SPECIFICATION 108-32658.  
 SOLDER AREA : MATTE TIN



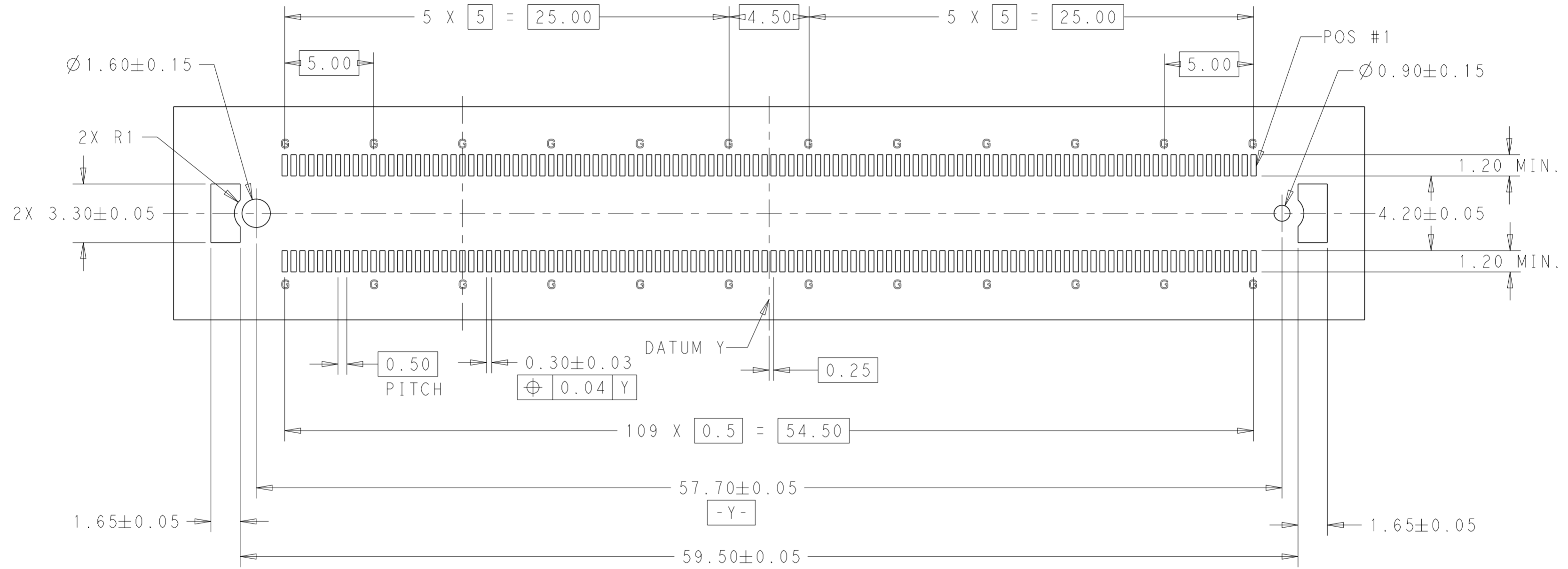
SCALE 3:1




TAPE & REEL	WITHOUT	2357798-4
TAPE & REEL	WITH	2357798-3
HARD TRAY	WITH	2357798-2
HARD TRAY	WITHOUT	2357798-1
PACKAGE	CAP	P/N

THIS DRAWING IS A CONTROLLED DOCUMENT.		DWN	ART LIN	24JUN2019	TE Connectivity					
		CHK	HOPE LU	10OCT2019						
		APVD	HOPE LU	10OCT2019						
		PRODUCT SPEC	108-32658	NAME		8H PLUG ASSY 220POS FH 0.5MM BTB 16Gbps WITH G-PLATE				
DIMENSIONS: mm		TOLERANCES UNLESS OTHERWISE SPECIFIED:		APPLICATION SPEC	114-115003					
		0 PLC	±1	114-115003	SIZE	A200779	CAGE CODE	C-2357798	DRAWING NO	RESTRICTED TO
SEE NOTE 1		1 PLC	±0.3	WEIGHT	-	SCALE		2:1	SHEET	1 OF 6
		2 PLC	±0.15	CUSTOMER DRAWING					REV	A
		3 PLC	±0.050							
		4 PLC	±0.0250							
		ANGLES	±3°							
		FINISH	-							

P	LTR	DESCRIPTION	DATE	DWN	APVD
-	-	SEE SHEET 1	-	-	-

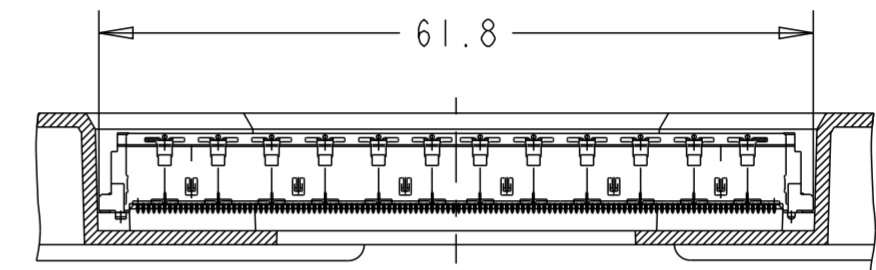
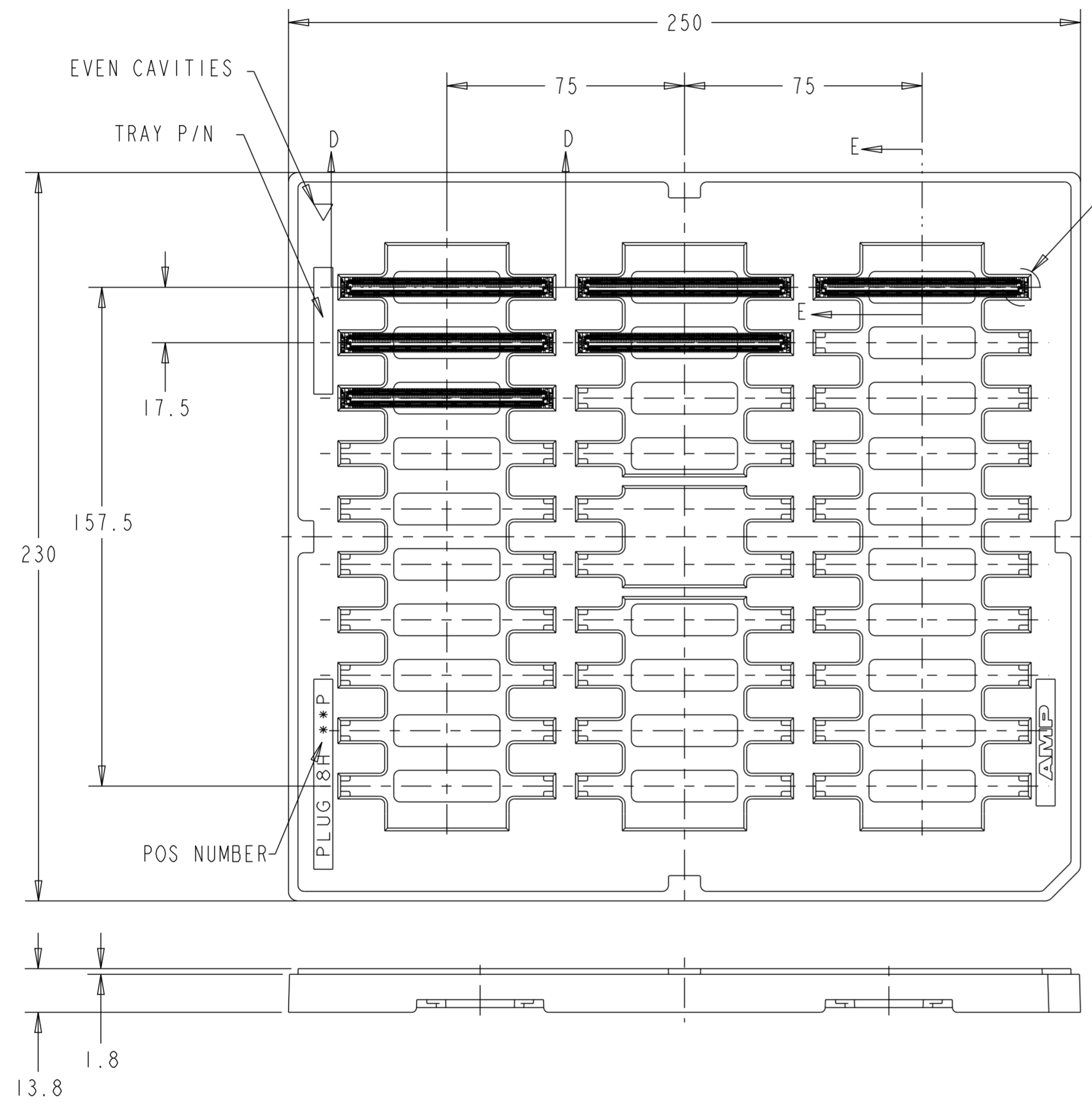


REFERENCE P.C. BOARD LAYOUT  
G: GROUND

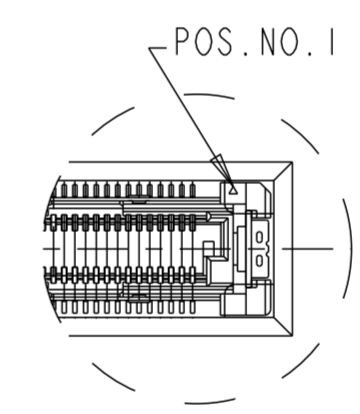
THIS DRAWING IS A CONTROLLED DOCUMENT.		DWN ART LIN 24JUN2019	 TE Connectivity	
DIMENSIONS: mm		CHK HOPE LU 10OCT2019		
TOLERANCES UNLESS OTHERWISE SPECIFIED:		APVD HOPE LU 10OCT2019	NAME 8H PLUG ASSY 220POS FH 0.5MM BTB 16Gbps WITH G-PLATE	
0 PLC ±1 1 PLC ±0.3 2 PLC ±0.15 3 PLC ±0.050 4 PLC ±0.0250 ANGLES ±3°		PRODUCT SPEC 108-32658	SIZE A200779	
MATERIAL - SEE NOTE 1		APPLICATION SPEC 114-115003	DRAWING NO C-2357798	
FINISH -		WEIGHT -	RESTRICTED TO -	
CUSTOMER DRAWING		SCALE 2:1	SHEET 2 OF 6 REV A	

WITHOUT PICK UP CAP  
2357798-1

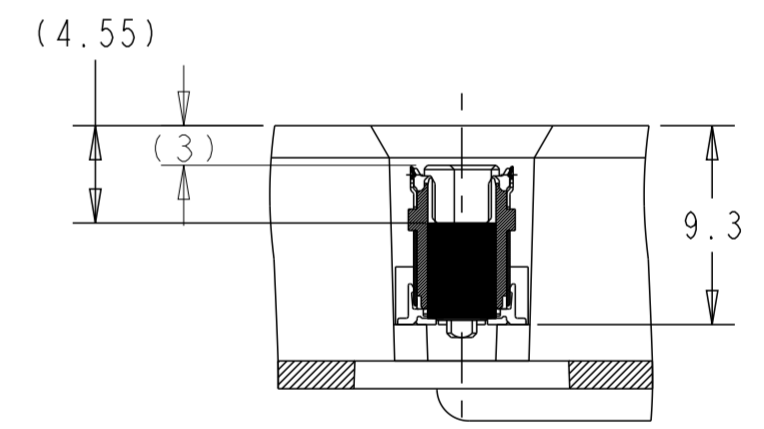
REVISIONS				
P	LTR	DESCRIPTION	DATE	APVD
-		SEE SHEET 1	-	-



SECT. D-D  
(SCALE 2:1)  
(CONNECTOR NOT SECTION)



DETAIL C  
(SCALE 2:1)

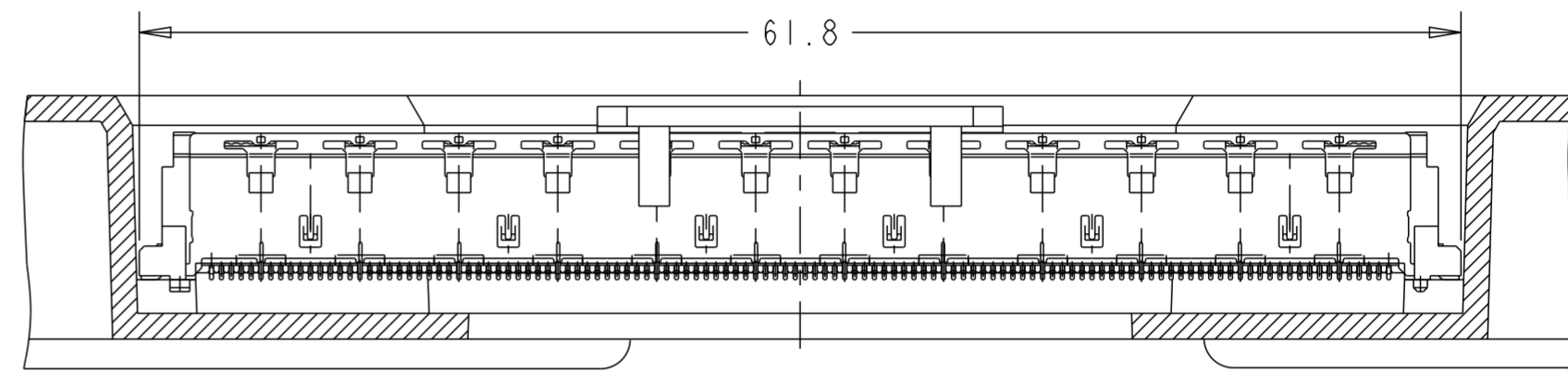
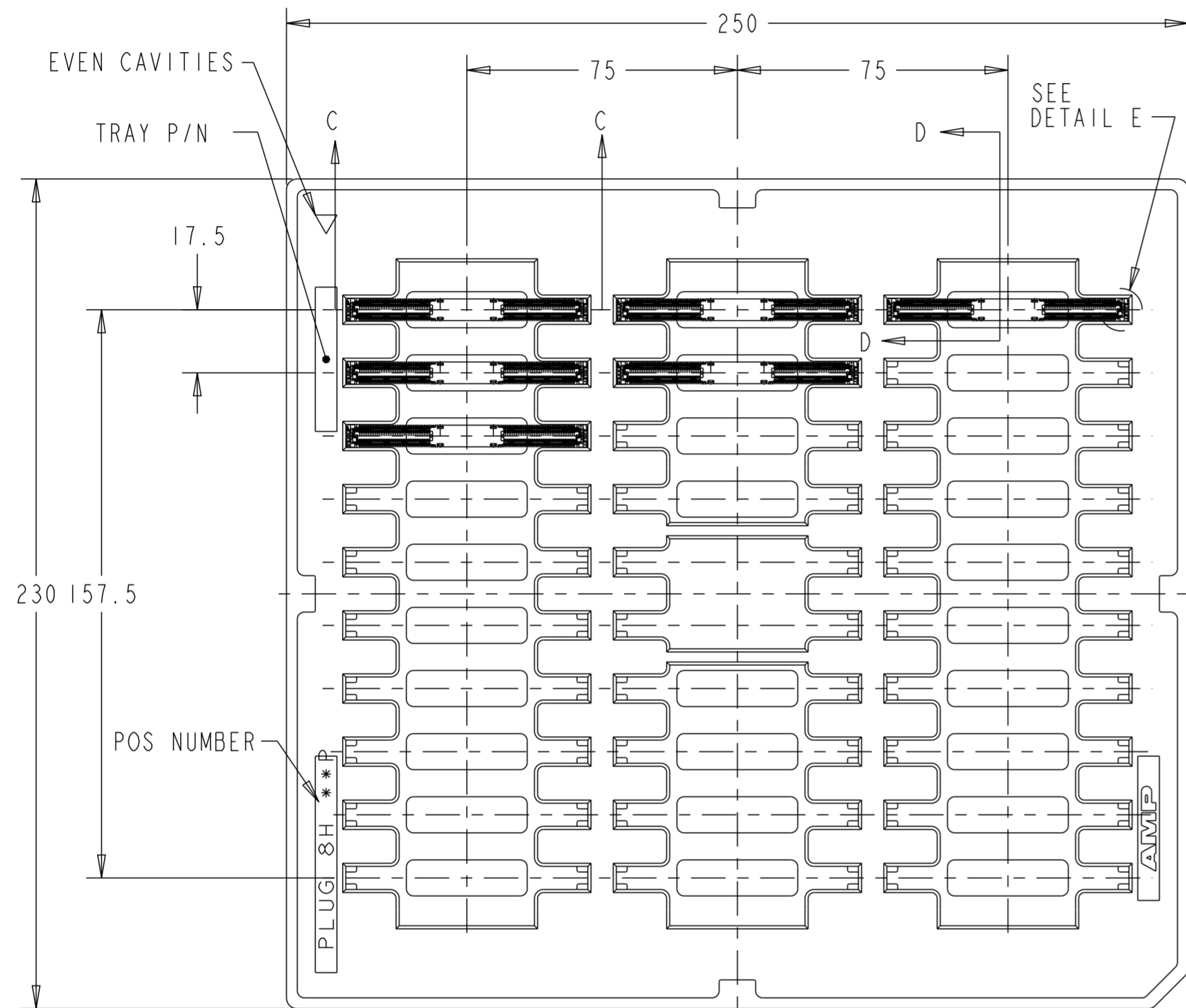


SECT. E-E  
(SCALE 2:1)

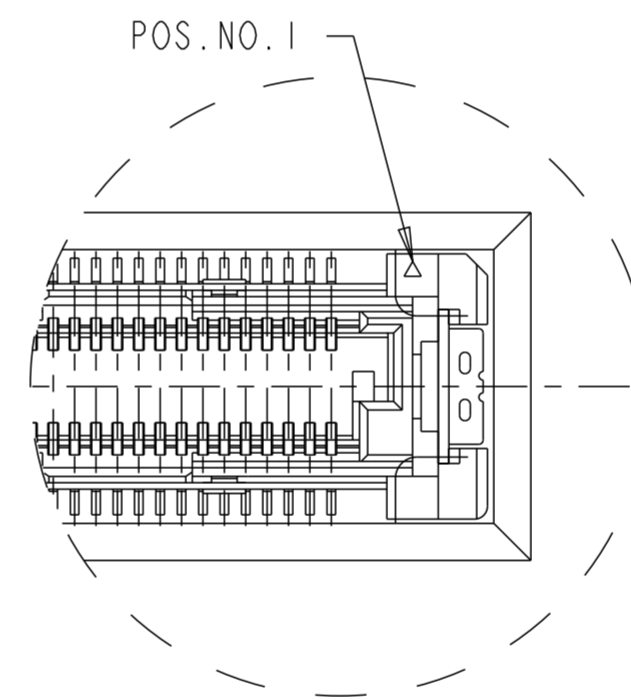
THIS DRAWING IS A CONTROLLED DOCUMENT.		DWN ART LIN 24JUN2019	TE Connectivity	
DIMENSIONS: mm		CHK HOPE LU 10OCT2019		
TOLERANCES UNLESS OTHERWISE SPECIFIED:		APVD HOPE LU 10OCT2019	NAME 8H PLUG ASSY 220POS FH 0.5MM BTB 16Gbps WITH G-PLATE	
0 PLC ±1		PRODUCT SPEC 108-32658	SIZE A2	
1 PLC ±0.3		APPLICATION SPEC 114-115003	CAGE CODE A200779	
2 PLC ±0.15		WEIGHT -	DRAWING NO C-2357798	
3 PLC ±0.050		RESTRICTED TO -		
4 PLC ±0.0250		SCALE 2:1 SHEET 3 OF 6 REV A		
ANGLES ±3°		CUSTOMER DRAWING		
FINISH -				
MATERIAL -				
SEE NOTE 1				
SEE NOTE 2				

WITH PICK UP CAP  
2357798-2

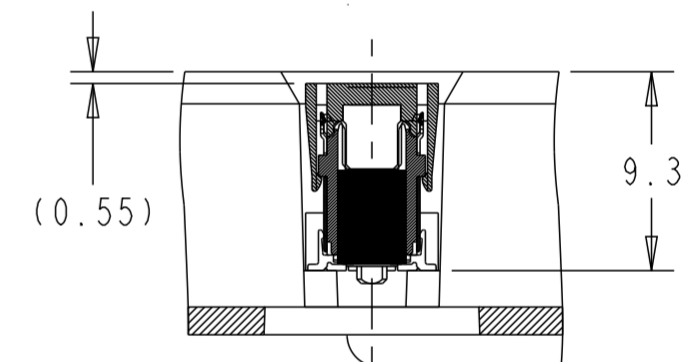
REVISIONS				
P	LTR	DESCRIPTION	DATE	APVD
-		SEE SHEET 1	-	-



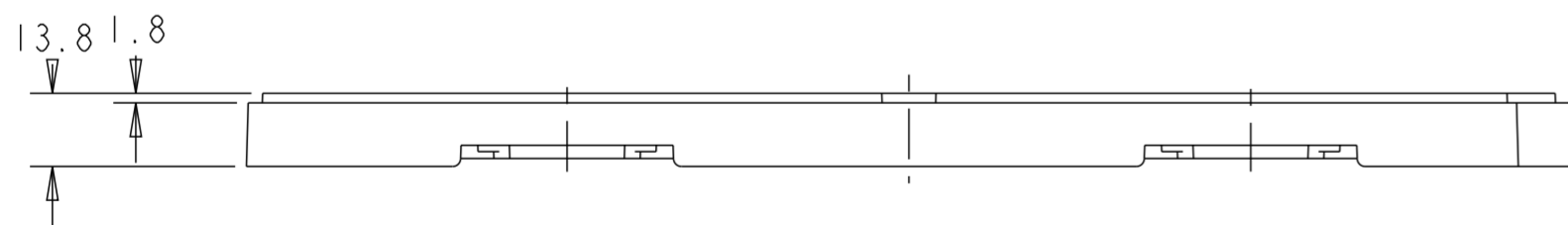
SECT. C-C  
(SCALE 2:1)



DETAIL E  
(SCALE 4:1)



SECT. D-D  
(SCALE 2:1)

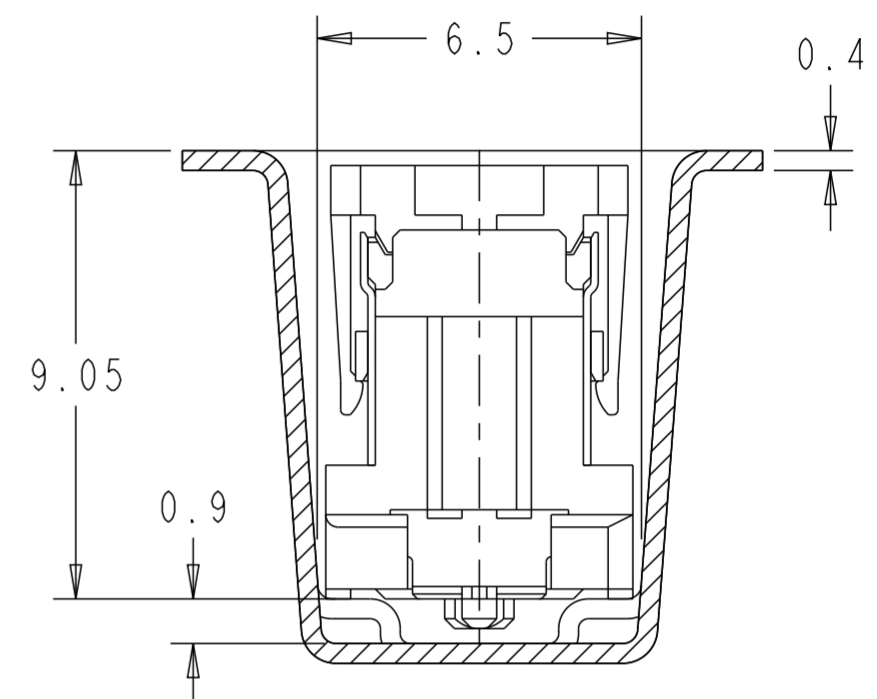
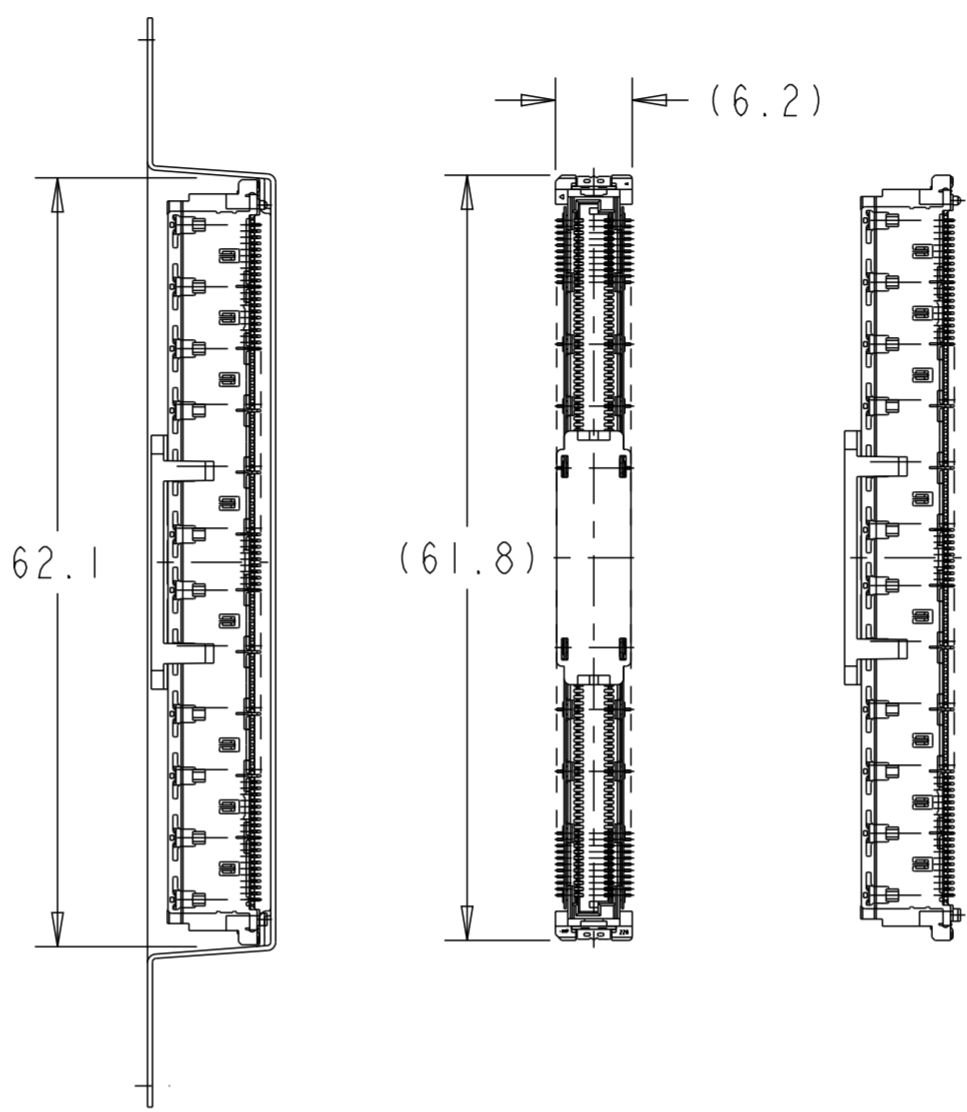
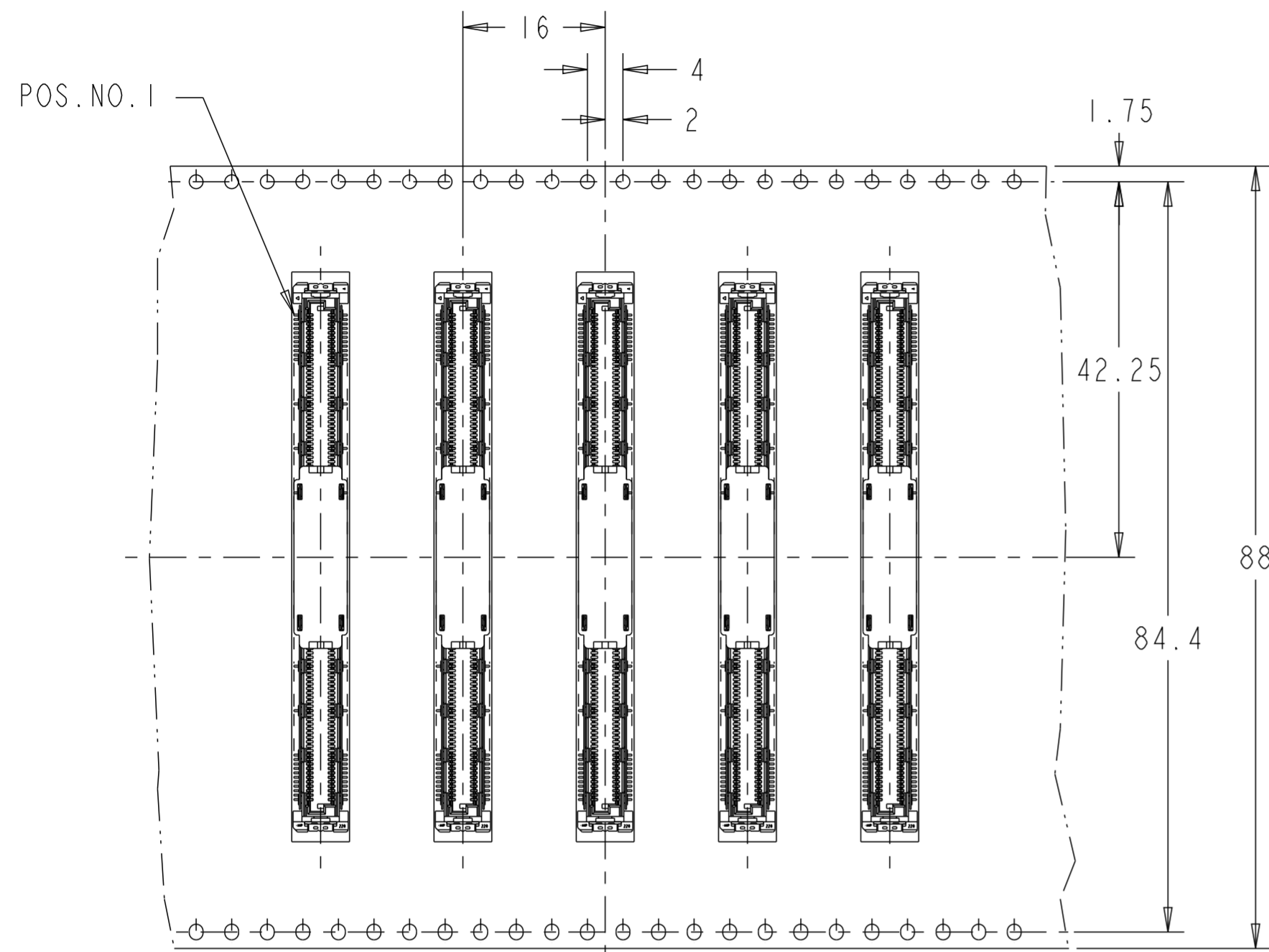


THIS DRAWING IS A CONTROLLED DOCUMENT.		DWN ART LIN 24JUN2019	TE Connectivity	
DIMENSIONS: mm		CHK HOPE LU 10OCT2019		
TOLERANCES UNLESS OTHERWISE SPECIFIED:		APVD HOPE LU 10OCT2019	NAME 8H PLUG ASSY 220POS FH 0.5MM BTB 16Gbps WITH G-PLATE	
0 PLC ±1	1 PLC ±0.3	PRODUCT SPEC 108-32658	SIZE	RESTRICTED TO
2 PLC ±0.15	3 PLC ±0.050	APPLICATION SPEC 114-115003	CAGE CODE	
4 PLC ±0.0250	ANGLES ±3°	WEIGHT	DRAWING NO	
MATERIAL	FINISH	CUSTOMER DRAWING	A200779	
SEE NOTE 1	SEE NOTE 2	SCALE 2:1	C-2357798	
			SHEET 4 OF 6	REV A

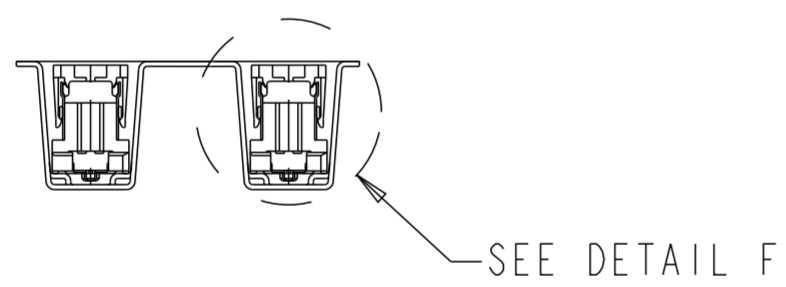
DIRECTION OFF TOP OF REEL →

REEL WITH PICK UP CAP  
2357798-3

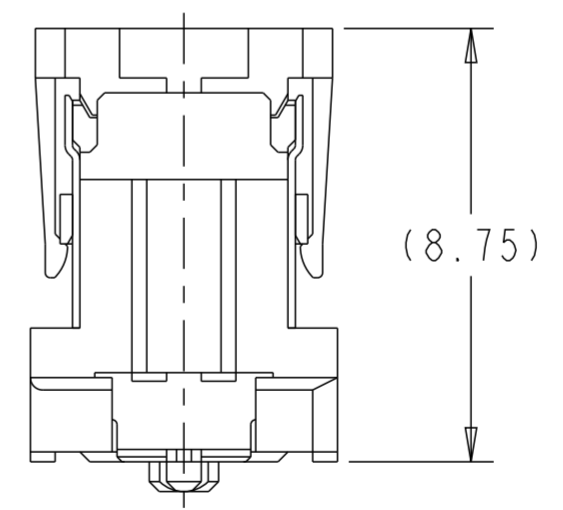
REVISIONS				
P	LTR	DESCRIPTION	DATE	APVD
-	-	SEE SHEET 1	-	-



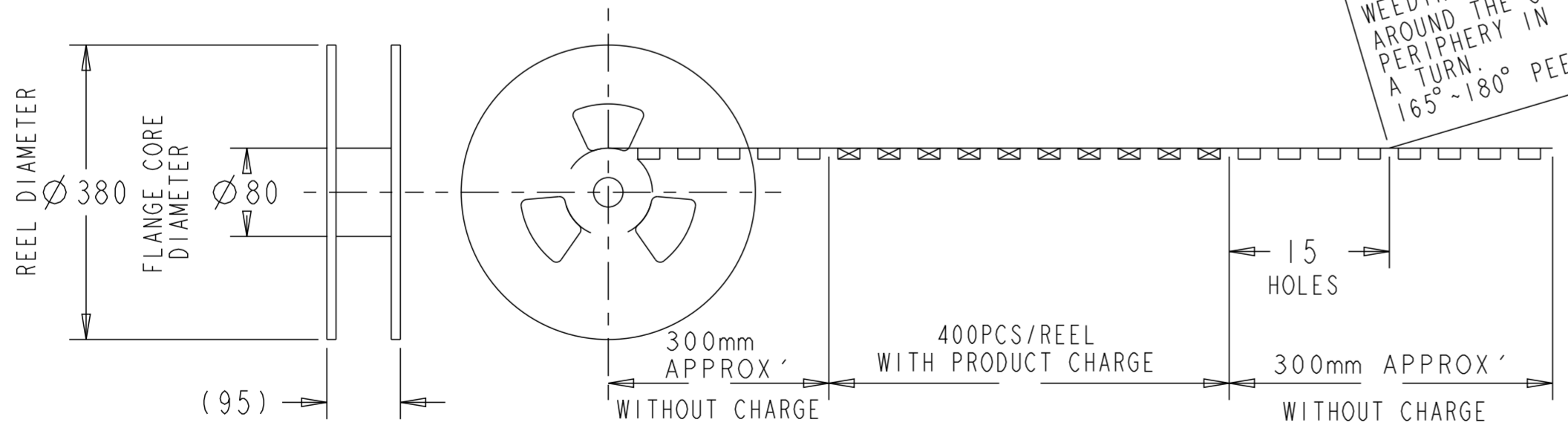
DETAIL F  
(SCALE 4:1)



WEEDING THE COVER TAPE  
AROUND THE OUTER  
PERIPHERY IN  
A TURN.  
165°-180° PEELING ANGLE



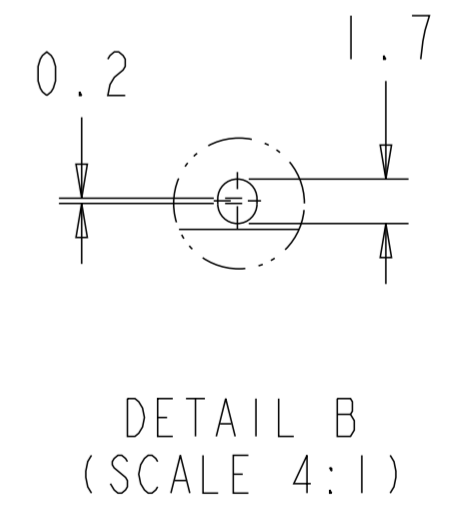
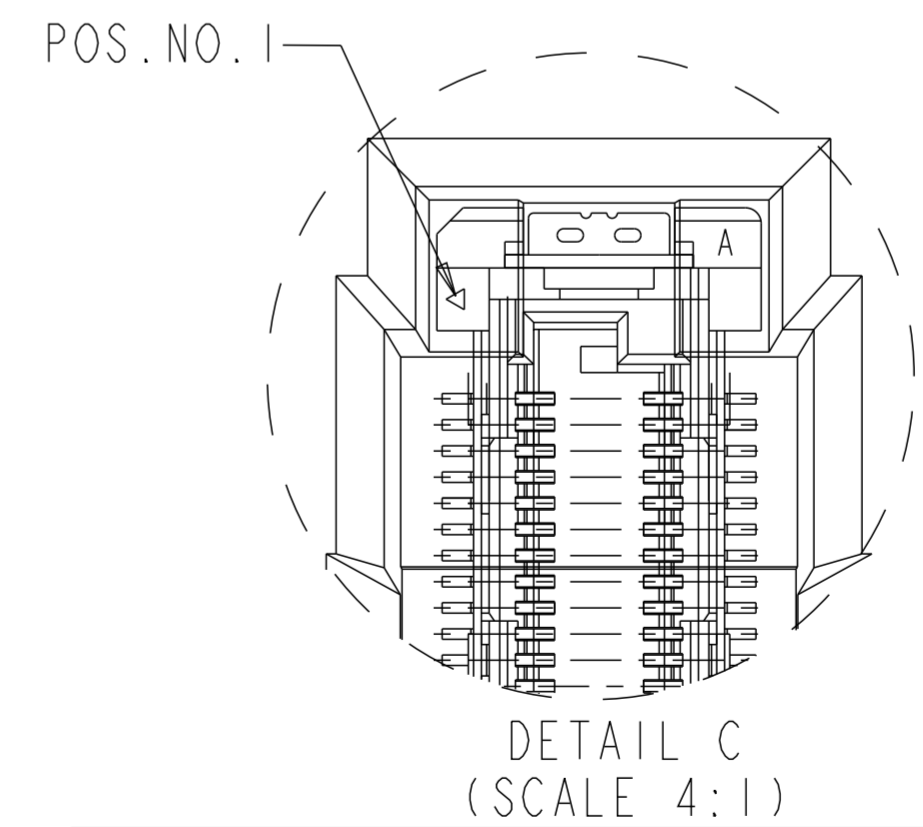
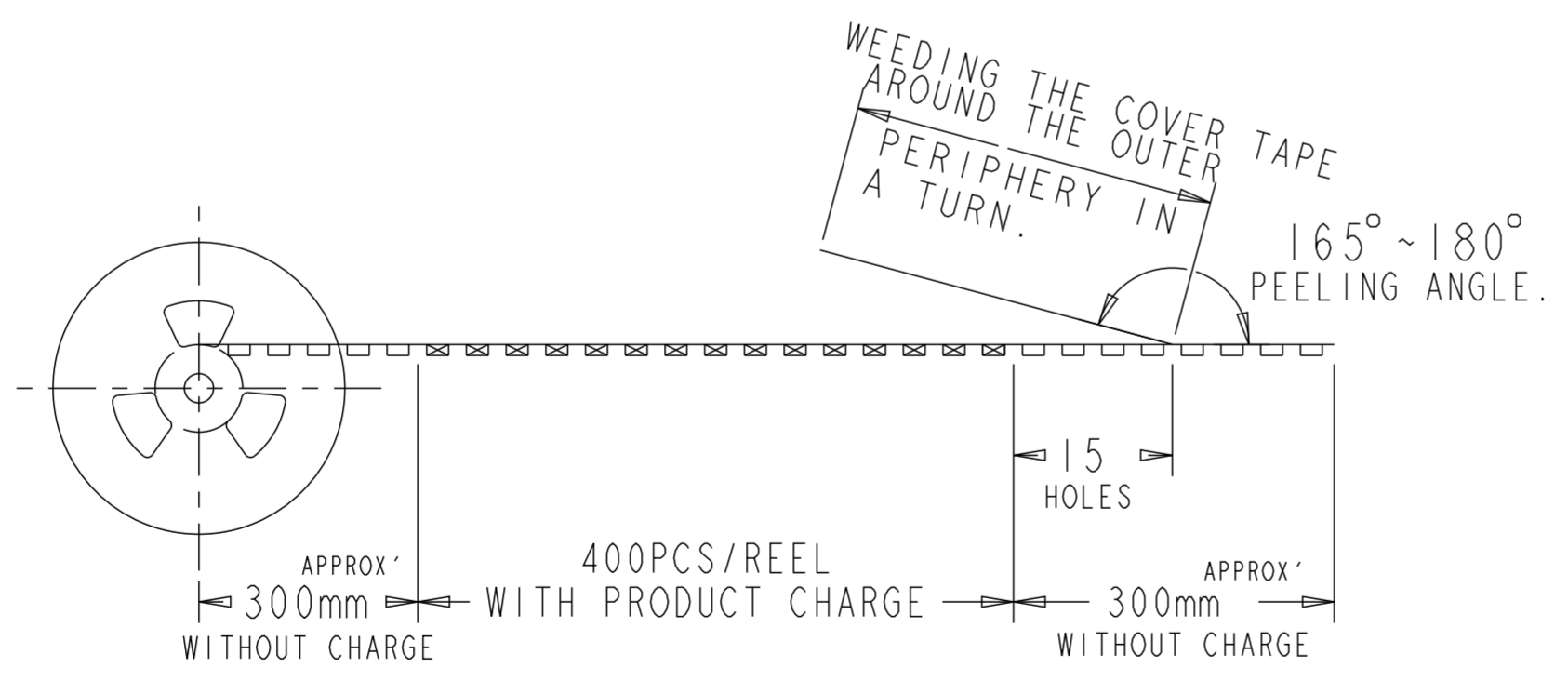
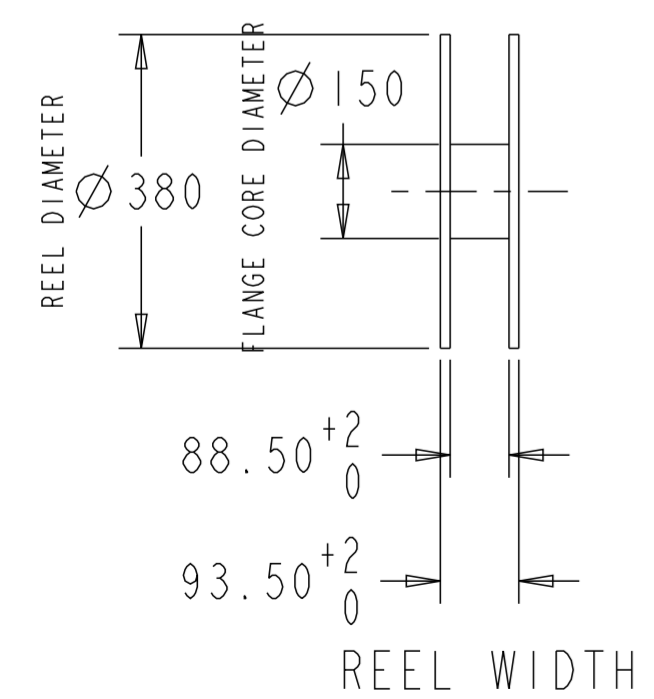
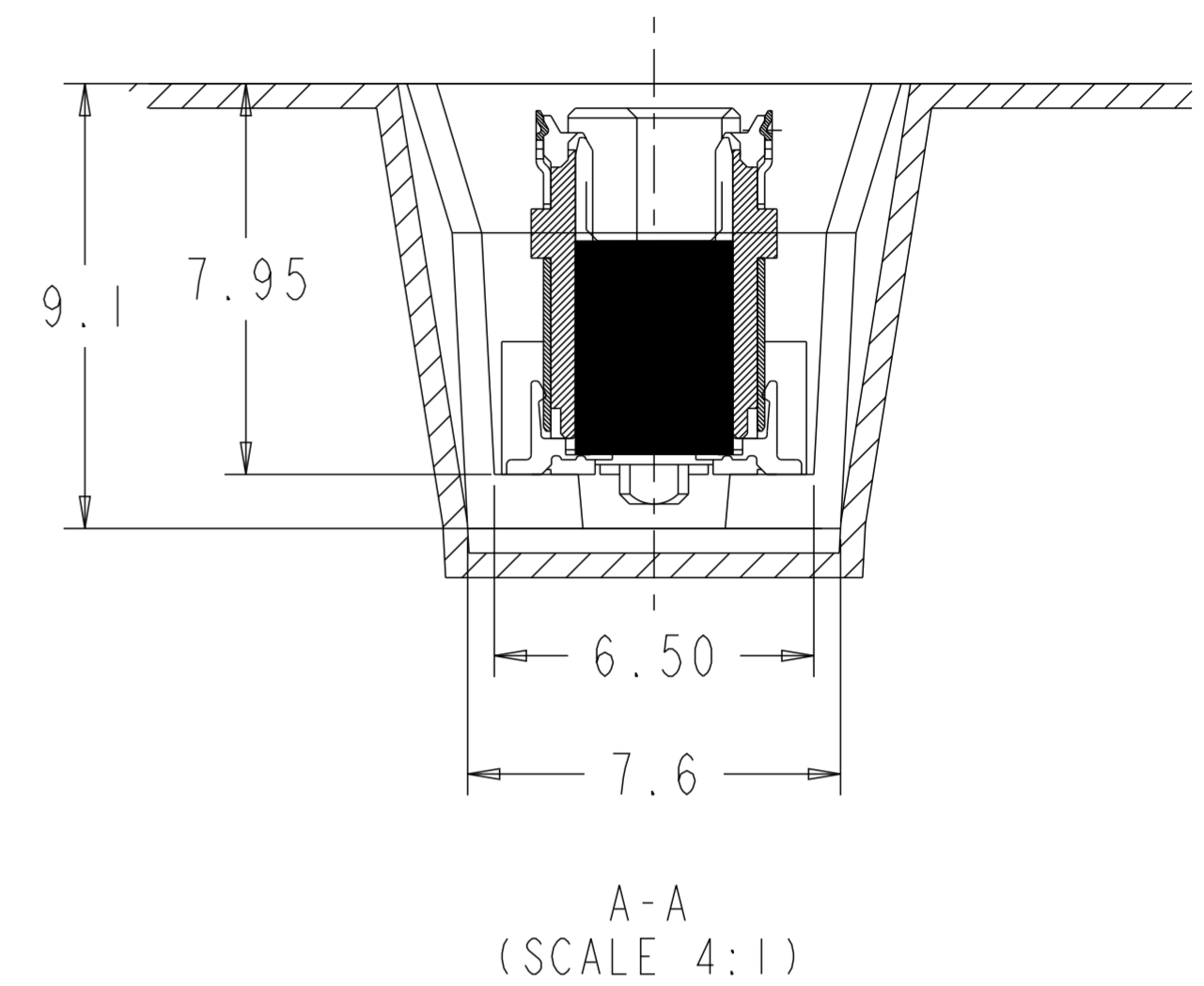
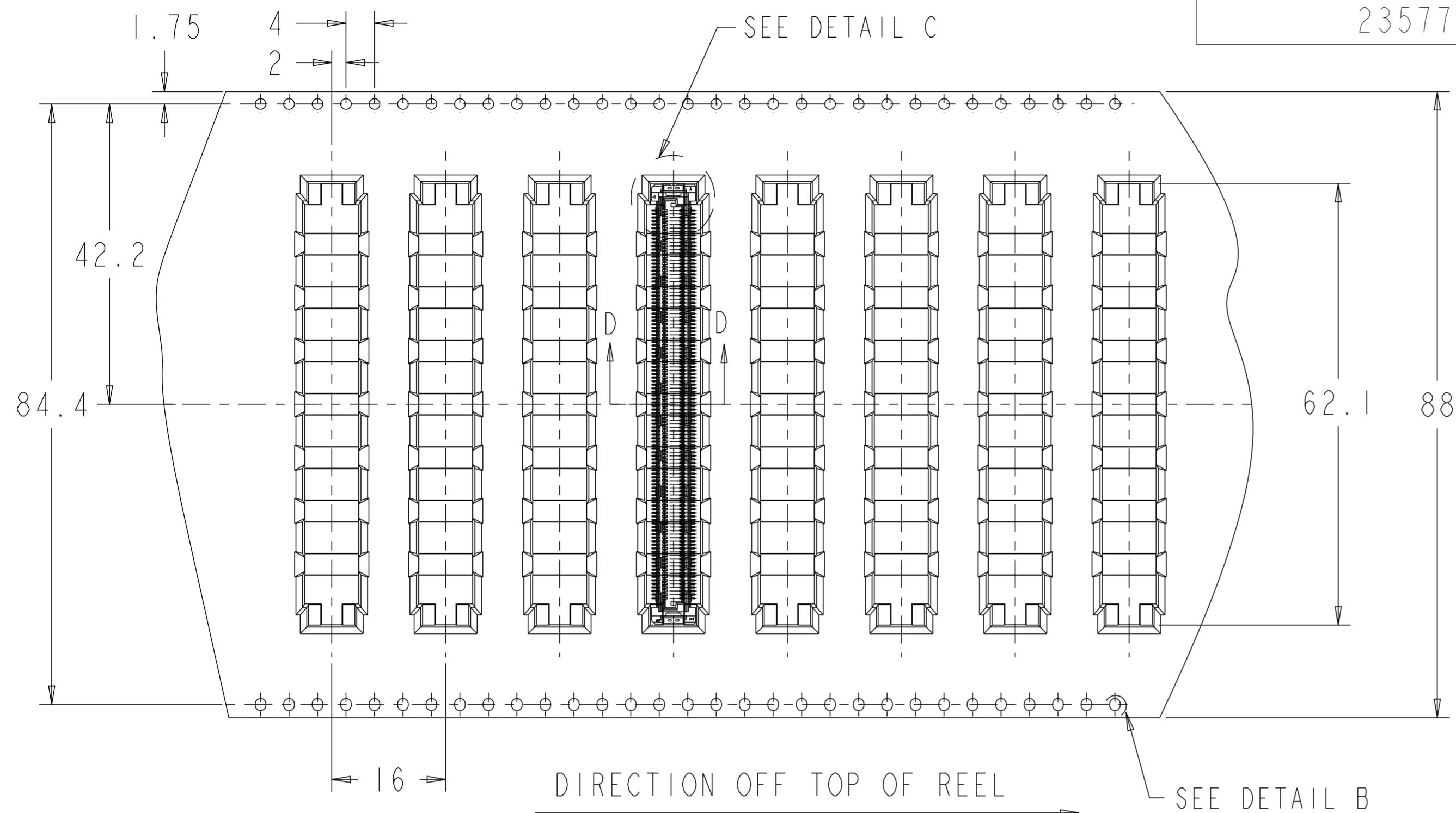
CONNECTOR DETAIL



THIS DRAWING IS A CONTROLLED DOCUMENT.		DWN ART LIN 24JUN2019	TE Connectivity
DIMENSIONS: mm		CHK HOPE LU 10OCT2019	
TOLERANCES UNLESS OTHERWISE SPECIFIED:		APVD HOPE LU 10OCT2019	NAME 8H PLUG ASSY 220POS FH 0.5MM BTB 16Gbps WITH G-PLATE
0 PLC ±1	1 PLC ±0.3	PRODUCT SPEC 108-32658	SIZE A200779
2 PLC ±0.15	3 PLC ±0.050	APPLICATION SPEC 114-115003	CAGE CODE C-2357798
4 PLC ±0.0250	ANGLES ±3°	WEIGHT -	DRAWING NO C-2357798
MATERIAL SEE NOTE 1	FINISH SEE NOTE 2	CUSTOMER DRAWING	RESTRICTED TO -
		SCALE 2:1	SHEET 5 OF 6
		REV A	

REEL WITHOUT PICK UP CAP  
2357798-4

REVISIONS				
P	LTR	DESCRIPTION	DATE	APVD
-		SEE SHEET 1	-	-



THIS DRAWING IS A CONTROLLED DOCUMENT.		DWN ART LIN 24JUN2019	TE Connectivity	
DIMENSIONS: mm		CHK HOPE LU 10OCT2019		
TOLERANCES UNLESS OTHERWISE SPECIFIED:		APVD HOPE LU 10OCT2019	NAME 8H PLUG ASSY 220POS FH 0.5MM BTB 16Gbps WITH G-PLATE	
0 PLC ±1		PRODUCT SPEC 108-32658	SIZE A200779	
1 PLC ±0.3		APPLICATION SPEC 114-115003	CAGE CODE C-2357798	
2 PLC ±0.15		WEIGHT -	DRAWING NO -	
3 PLC ±0.050		MATERIAL SEE NOTE 1	RESTRICTED TO -	
4 PLC ±0.0250		FINISH -	SCALE 2:1	
ANGLES ±3°		CUSTOMER DRAWING	SHEET 6 OF 6	
SEE NOTE 2			REV A	

# Mouser Electronics

Authorized Distributor

Click to View Pricing, Inventory, Delivery & Lifecycle Information:

[TE Connectivity:](#)

[2357798-1](#)