

# Series 44 Banding Backshells

for MIL-DTL-38999 Series I and II Connectors

## 447F\*531 Banding Backshell, Shrink Boot, Spanner Nut

**Self-Locking**



**Adapter Code F**

This accessory fits these connectors:  
MIL-DTL-38999 Series I and Series II

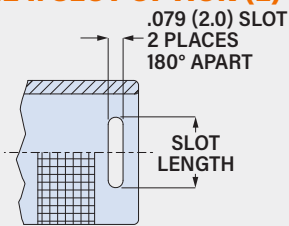
**TABLE 1: ENTRY SIZE**

| Entry Size | øE    |      | øF    |      | øG    |      | Shell Sizes |
|------------|-------|------|-------|------|-------|------|-------------|
|            | in    | mm   | in    | mm   | in    | mm   |             |
| 03         | .185  | 4.7  | .303  | 7.7  | .480  | 12.2 | 08-14       |
| 04         | .252  | 6.4  | .370  | 9.4  | .551  | 14.0 | 08-16       |
| 05         | .311  | 7.9  | .433  | 11.0 | .610  | 15.5 | 08-20       |
| 06         | .374  | 9.5  | .496  | 12.6 | .673  | 17.1 | 10-22       |
| 07         | .437  | 11.1 | .555  | 14.1 | .736  | 18.7 | 10-24       |
| 08         | .500  | 12.7 | .618  | 15.7 | .800  | 20.3 | 12-24       |
| 10         | .626  | 15.9 | .744  | 18.9 | .925  | 23.5 | 14-24       |
| 12         | .752  | 19.1 | .866  | 22.0 | 1.051 | 26.7 | 16-24       |
| 14         | .874  | 22.2 | .992  | 25.2 | 1.173 | 29.8 | 20-24       |
| 16         | 1.004 | 25.5 | 1.118 | 28.4 | 1.300 | 33.0 | 22-24       |
| 18         | 1.126 | 28.6 | 1.240 | 31.5 | 1.425 | 36.2 | 24          |
| 20         | 1.252 | 31.8 | 1.366 | 34.7 | 1.551 | 39.4 | 24          |

**TABLE 2: LENGTH CODE**

| Length Code | J     |      | K Max |      | L Max |      |
|-------------|-------|------|-------|------|-------|------|
|             | in    | mm   | in    | mm   | in    | mm   |
| A           | .291  | 7.4  | 1.035 | 26.3 | 1.362 | 34.6 |
| B           | .606  | 15.4 | 1.350 | 34.3 | 1.677 | 42.6 |
| C           | .803  | 20.4 | 1.547 | 39.3 | 1.874 | 47.6 |
| D           | 1.197 | 30.4 | 1.941 | 49.3 | 2.768 | 57.6 |
| E           | .394  | 10.0 | 1.199 | 30.5 | 1.473 | 37.4 |

**FIGURE 1: SLOT OPTION (L)**

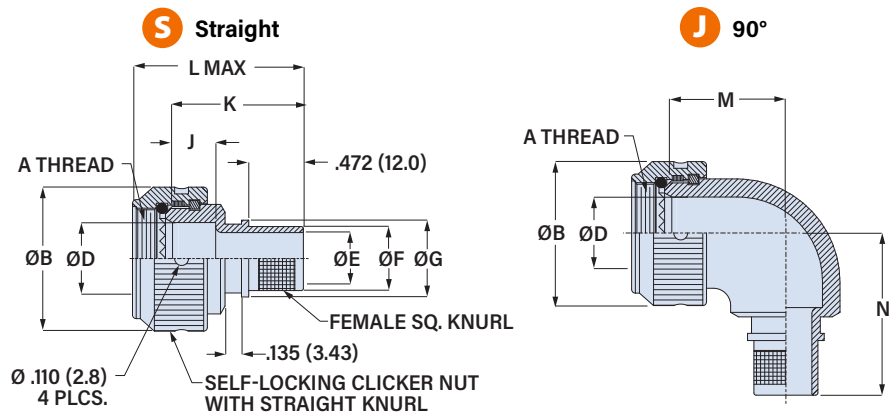


| Entry Size | Slot Length in | Slot Length mm |
|------------|----------------|----------------|
| 03, 04, 05 | .157           | 4.0            |
| 06, 07, 08 | .276           | 7.0            |
| 10, 12     | .433           | 11.0           |
| 14, 16     | .472           | 12.0           |
| 18, 20     | .551           | 14.0           |

**Self-locking. Impact resistant coupling nut.** 447F\*531 banding backshell fits MIL-DTL-38999 Series I/II connectors. Impact resistant coupling nut has 2.8 mm spanner wrench holes. Anti-decoupling mechanism provides audible detented coupling and prevents backoff under high vibration. Attach shielding and overbraid sleeving to backshell with band strap (not supplied). Shrink boot (not supplied) adds strain relief and environmental protection. Aluminum or stainless steel with thermoplastic anti-decoupling spring and SST retainer ring.

**PART NUMBER**

|                 |  |                          |           |           |           |           |           |             |           |           |
|-----------------|--|--------------------------|-----------|-----------|-----------|-----------|-----------|-------------|-----------|-----------|
|                 |  | <b>447FS531</b>          | <b>ZI</b> | <b>18</b> | <b>10</b> | <b>B</b>  | <b>L</b>  | <b>-157</b> |           |           |
| Base P/N        | Base Part No.  | <b>447FS531</b>          | <b>S</b>  | Straight  |           |           |           |             |           |           |
|                 |  | <b>447FJ531</b>          | <b>J</b>  | 90°       |           |           |           |             |           |           |
| Material/Finish | <b>M</b>   | Alum/ Electroless Nickel |           |           |           |           |           |             |           |           |
|                 | <b>MT</b>  | Alum/ Nickel-PTFE        |           |           |           |           |           |             |           |           |
|                 | <b>NF</b>  | Alum/ Olive Drab Cadmium |           |           |           |           |           |             |           |           |
|                 | <b>ZR</b>  | Alum/ Black Zinc-Nickel  |           |           |           |           |           |             |           |           |
|                 | <b>TZ</b>  | Alum/ Tin-Zinc           |           |           |           |           |           |             |           |           |
|                 | <b>ZI</b>  | SST/ Passivated          |           |           |           |           |           |             |           |           |
| Shell Size      | Shell Size   |                          |           |           |           |           |           |             |           |           |
|                 | 38999 Series I   | 9                        | 11        | 13        | 15        | 17        | 19        | 21          | 23        | 25        |
|                 | 38999 Series II  | 8                        | 10        | 12        | 14        | 16        | 18        | 20          | 22        | 24        |
|                 | Size Code  | <b>08</b>                | <b>10</b> | <b>12</b> | <b>14</b> | <b>16</b> | <b>18</b> | <b>20</b>   | <b>22</b> | <b>24</b> |
| Entry Size      | See Table 1  |                          |           |           |           |           |           |             |           |           |
| Length          | Applies to Profile <b>S</b> only. See Table 2.<br><b>A B C D E</b>           |                          |           |           |           |           |           |             |           |           |
| Slot            | Omit if not required. See Figure 1.<br><b>L</b> Slots for Individual Shields |                          |           |           |           |           |           |             |           |           |
| Teflon Coating  | Omit if not required.<br><b>-157</b> Teflon Coating on Inside Surface        |                          |           |           |           |           |           |             |           |           |



| Shell Size | A Thread UNEF-2B | øB Max in | øB Max mm | øD Min in | øD Min mm | M Max in | M Max mm | N Max in | N Max mm | Max Entry Size |
|------------|------------------|-----------|-----------|-----------|-----------|----------|----------|----------|----------|----------------|
| 8/9        | 0.4375-28        | .858      | 21.8      | .264      | 6.7       | .553     | 14.1     | 1.222    | 31.1     | 05             |
| 10/11      | 0.5625-24        | .984      | 25.0      | .380      | 9.7       | .622     | 15.8     | 1.347    | 34.2     | 07             |
| 12/13      | 0.6875-24        | 1.157     | 29.4      | .494      | 12.6      | .683     | 17.4     | 1.494    | 38.0     | 08             |
| 14/15      | 0.8125-20        | 1.280     | 32.5      | .620      | 15.6      | .744     | 18.9     | 1.561    | 40.0     | 10             |
| 16/17      | 0.9375-20        | 1.406     | 35.7      | .746      | 19.0      | .799     | 20.3     | 1.624    | 41.3     | 12             |
| 18/19      | 1.0625-18        | 1.516     | 38.5      | .833      | 21.1      | .846     | 21.5     | 1.722    | 43.8     | 12             |
| 20/21      | 1.1875-18        | 1.642     | 41.7      | .959      | 24.4      | 1.047    | 26.6     | 1.847    | 46.9     | 14             |
| 22/23      | 1.3125-18        | 1.768     | 44.9      | 1.081     | 27.5      | .969     | 24.6     | 1.972    | 50.1     | 16             |
| 24/25      | 1.4375-18        | 1.890     | 48.0      | 1.207     | 30.7      | 1.047    | 26.6     | 2.098    | 53.3     | 20             |

# Mouser Electronics

Authorized Distributor

Click to View Pricing, Inventory, Delivery & Lifecycle Information:

## Glenair:

[447FS531M0803B](#) [447FS531NF0803A](#) [447FS531NF0805C](#) [447FS531NF0805E](#) [447FS531NF0806B](#)  
[447FS531NF0808B](#) [447FS531NF1206C](#) [447FS531NF1208A](#) [447FS531NF1403C](#) [447FS531NF1405B](#)  
[447FS531NF1412C](#) [447FS531NF1608C](#) [447FS531NF1812B](#) [447FS531NF2007C](#) [447FS531M1003C](#)  
[447HH531NF1510](#)