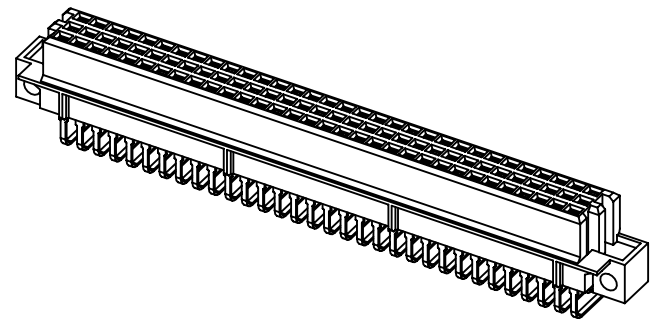


A
board drillings

B
contact arrangement

96 signal contacts
 ☒ = position with contact
 ☐ = position without contact

C (2:1)



09 73 296 7801	3
09 73 296 6801	2
09 73 296 2801	1
part no.	performance level

further information see product data sheet

HARTING D-32339 Espelkamp	All rights reserved Department EL PD	Created by STORCK	Inspected by LEHNERT	Standardisation 302077	Date 2021-06-02	State Final Release	Ref. Sub.
	Title DIN Signal type R female solder angled 96-pole						Doc-Key / ECM-Nr. 100104712/UGD/067/C 500000195862
		Type TB	Number 0973296X801		Rev. C	Page 1/1	