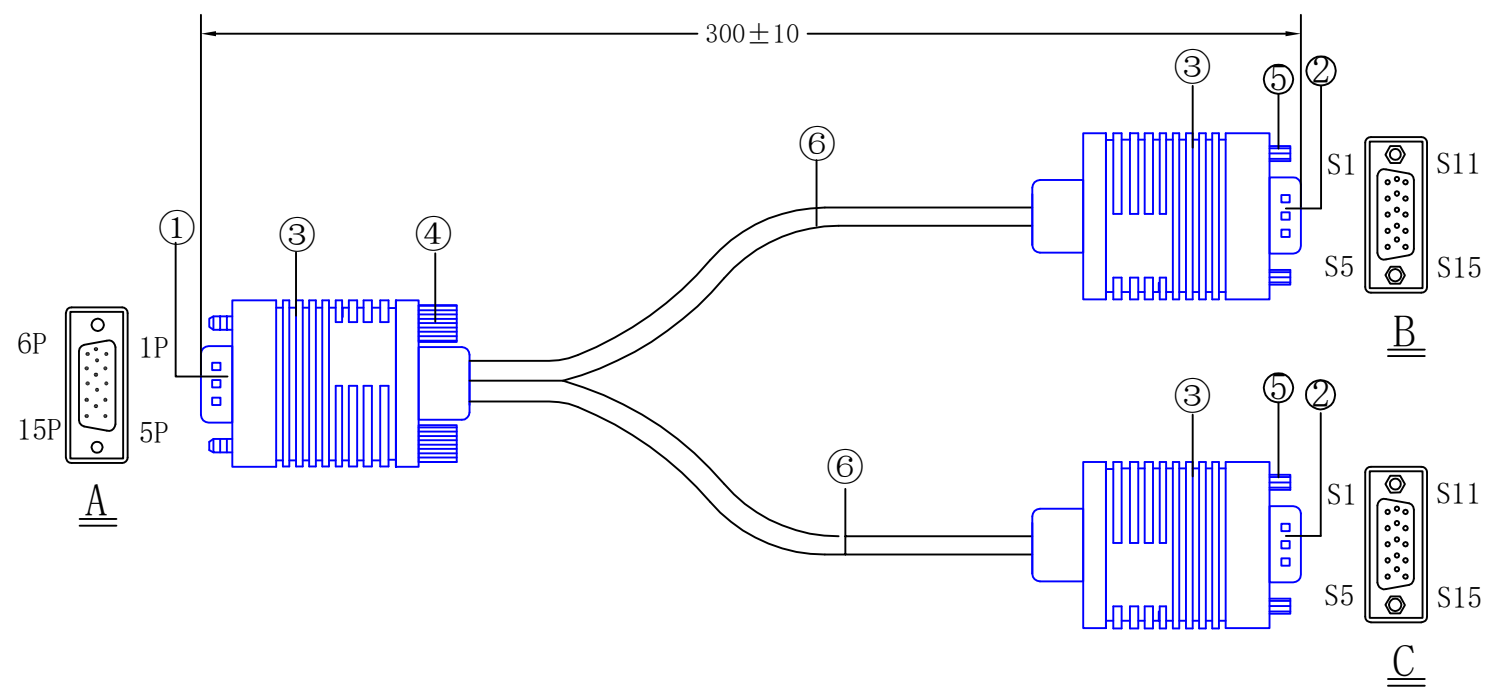


| | | |
|-----|---------------|-----------------|
| REV | Change record | Change the date |
| A/0 | Initial issue | 2021-09-22 |




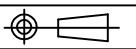
Test Conditions:

1. 100% open & short circuit test;
2. Insulation Resistance: 10Mohm (MIN);
3. Conduction Resistance: 5ohm (MAX) at 300V DC/0.01S .

| <u>A</u> | <u>B</u> | <u>C</u> |
|---------------------------------|----------|----------|
| 1-----1-----1 | | |
| 2-----2-----2 | | |
| 3-----3-----3 | | |
| 12-----12-----12 | | |
| 13-----13-----13 | | |
| 14-----14-----14 | | |
| 6+7+8+G-----6+7+8+G-----6+7+8+G | | |

| | | | |
|-----|--|------|----------|
| ⑥ | CABLE:30AWG*6C+DW+AL FOIL+PVC JACKET, BEIGE, 0.3m | PCS | 2 |
| ⑤ | HEX NUTS: Φ2.3*4.7*5.0 NICKLE PLATED | PCS | 2 |
| ④ | SCREW: Φ2.3*45 NICKLE PLATED | PCS | 2 |
| ③ | OVER MOLDING:45P PVC(Polyvinyl chloride),BLUE | g | N/A |
| ② | CONN2:HD15PIN,FEMALE SOLDERING TYPE, Nickel-PLATED | PCS | 2 |
| ① | CONN1:HD15PIN,MALE SOLDERING TYPE, Nickel-PLATED | PCS | 1 |
| NO. | The material content | unit | quantity |


VCOM INTERNATIONAL LTD.

| | | | | | | |
|--------------|------------------------------|--------------|-----|-----------|---|--------------|
| TITLE | HD15PM/HD15PF+UNT/HD15PF+UNT | CUSTOMER | | UNIT | mm | PAGE: 1 of 1 |
| PART NO. | SAM-AC-138 | CUSTOMER NO. | | SCALE |  | |
| PRODUCT NO. | CG021 | REV: | A/0 | DATE | 2021-09-22 | |
| APPROVED BY: | XGS | CHECKED BY: | | DRAWN BY: | CT | |