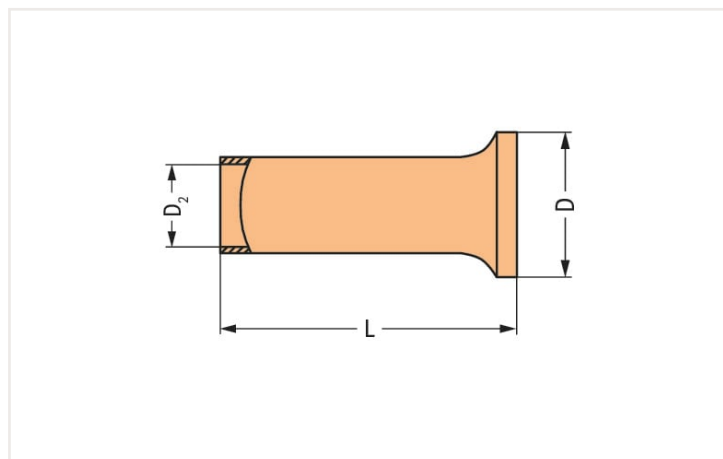


<https://www.wago.com/216-109>



Dimensions in mm

Technical data

Main product function	Ferrule
Sleeve cross-section (AWG)	8 AWG
Sleeve for	10 mm ²

Connection data

Strip length	12 mm / 0.47 inches
--------------	---------------------

Physical data

Length	12 mm
Diameter	5.8 mm
Diameter 2	4.5 mm

Material Data

Fire load	0 MJ
Weight	0.3 g

Commercial data

Product Group	2 (Terminal Block Accessories)
eCl@ss 10.0	27-40-02-01
eCl@ss 9.0	27-40-02-01
ETIM 8.0	EC000005
ETIM 7.0	EC000005
PU (SPU)	1000 (250) pcs
Packaging type	Box
Country of origin	DE
GTIN	4017332277716
Customs tariff number	85369010000

Downloads

Environmental Product Compliance


Compliance Search

Environmental Product
Compliance 216-109



Documentation

Bid Text

216-109	11.09.2017	doc 24.00 KB	
216-109	19.02.2019	xml 2.77 KB	

Installation notes

A perfect gas-tight crimp – both electrical-
ly and mechanically reliable