

FEATURES

- 4, 5 and 8-way Variants
- Insulation Resistance $\geq 100 \text{ M}\Omega$
- Neoprene O-Ring
- Brass nickel plated coupling nut

RS PRO M12 FEMALE RIGHT ANGLE USER-WIRE 8 PIN PG9 WITH PLASTIC BODY SCREW TERMINALS

RS Stock No.: 2080555



RS Professionally Approved Products bring to you professional quality parts across all product categories. Our product range has been tested by engineers and provides a comparable quality to the leading brands without paying a premium price.

Product Description

ATTRIBUTE 1

M12 female cable connector

The re-wireable circular connectors have a threaded mating mechanism with A coding, preventing incorrect mating. Along with IP67 ingress rating. These connectors are best suited to environments that demand a more rugged connector solution.

Features and Benefits:

- 4, 5 and 8-way Variants
- Insulation Resistance $\geq 100 \text{ M}\Omega$
- Neoprene O-Ring
- Robust and reliable connection
- Re-Wireable –no special tooling required
- Brass nickel plated coupling nut

General Specifications

| | |
|---------------------------|----------------------------|
| Rated Operational Voltage | 30 V |
| Current Rating | 2A |
| Insulation Resistance | $\geq 100 \text{ M}\Omega$ |
| Temperature Range | -25°C ... +75°C |
| Coding | A-Coded |

Material Specifications

| | |
|-----------------|---------------------|
| Grip Material | Nylon 66 |
| Contact | Cu-Zn |
| Contact Plating | Gold Flash |
| Contact Carrier | Nylon 66 |
| O-Ring | Neoprene + NBR |
| Grip Color | Black |
| Termination | Screw |
| Pole | 8 |
| Cable Gland | 6 - 8 mm (PG9) |
| Coupling Nut | Brass Nickel-Plated |

Protection Category

| | |
|----------------------|------|
| Degree of Protection | IP67 |
|----------------------|------|

Additional Information

Custom Tariff Number 85369090

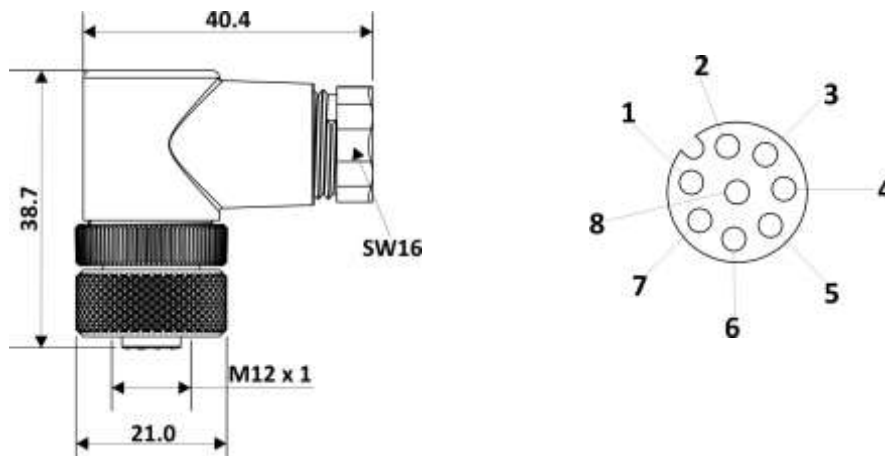
Approvals

Standards Met IEC 61076-2-101

Similar Products

| Stock No. | Brand | Product Name | Attribute 1 | Attribute 2 |
|-----------|--------|---|--|-----------------------|
| xxx-xxxx | RS PRO | RS Pro User Wire Connector 8 Pin Straight Screw Termination | Industrial Automation Cable Assemblies | Actuator/Sensor Cable |
| 144-7631 | RS PRO | RS Pro Pane Rear Mount Connector M16X1.5mm threads | Industrial Automation Cable Assemblies | Actuator/Sensor Cable |

Connection Diagrams / Assembly Diagrams / Illustrations / Accessories



All Dimensions are in mm.