

Data Sheet | Item Number: 216-288

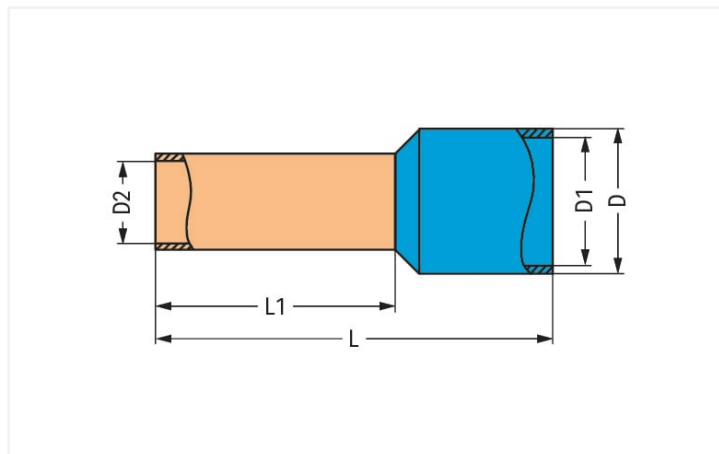
Ferrule; Sleeve for 6 mm² / AWG 10; insulated; electro-tin plated; electrolytic copper; gastight crimped; acc. to DIN 46228, Part 4/09.90; yellow

<https://www.wago.com/216-288>



Color: yellow

Similar to illustration



Dimensions in mm

Technical data

Main product function	Ferrule
Sleeve cross-section (AWG)	10 AWG
Sleeve for	6 mm ²

Connection data

Strip length	20 mm / 0.79 inches
--------------	---------------------

Physical data

Length	26 mm
Length 1	18 mm
Diameter	6.9 mm
Diameter 1	6.3 mm
Diameter 2	3.5 mm

Mechanical Data

Suitable	2010 to 2016 Series
----------	---------------------

Material Data

Color	yellow
Fire load	0.016 MJ
Weight	0.5 g

Commercial data

PU (SPU)	500 pcs
Packaging type	Box
Country of origin	DE
GTIN	4044918363372
Customs tariff number	85369010000

Downloads

Environmental Product Compliance

Compliance Search

Environmental Product
Compliance 216-288

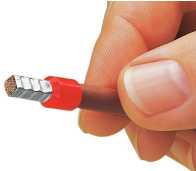


Documentation

Bid Text

216-288	11.09.2017	doc 24.50 KB	
216-288	19.02.2019	xml 2.80 KB	

Installation Notes



Subject to changes. Please also observe the further product documentation!

Current addresses can be found at: www.wago.com