

FTTH Termination Box 4 x SC/APC with Installation Cable

Technical Features

Fiber to the home termination box, fully assembled

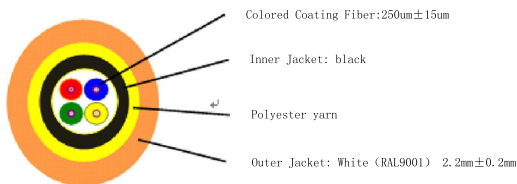
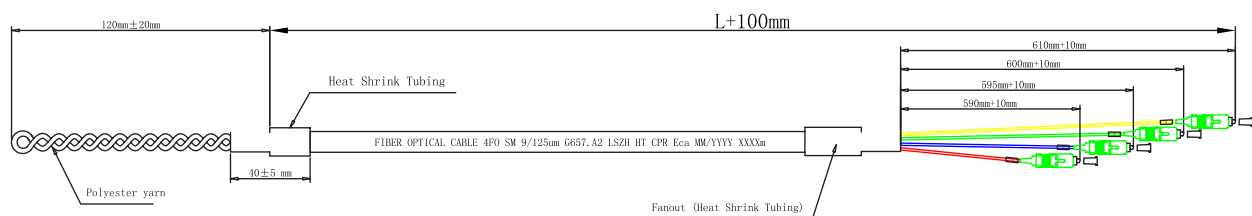
With 4-core breakout cable (easy to strip + easy to push out)

Prefabricated on one side with 4x SC/APC connector and adapter

Length	Art No.	EAN Code
20 m	FB4SC20	4052792066531
30 m	FB4SC30	4052792066548
40 m	FB4SC40	4052792066555
50 m	FB4SC50	4052792066562



Technical Drawings



Test Grade Designation: Each to Each		
Grade IL/RL	Grade B/1	
Insertion Loss (IL)	97% ≤ 0.25dB mean ≤ 0.12dB	IEC 61300-3-4
Return Loss (RL)	≥ 60dB	IEC 61300-3-6
Test Wavelength	1310nm	Single-Mode
End face inspection	× 400	

Cable

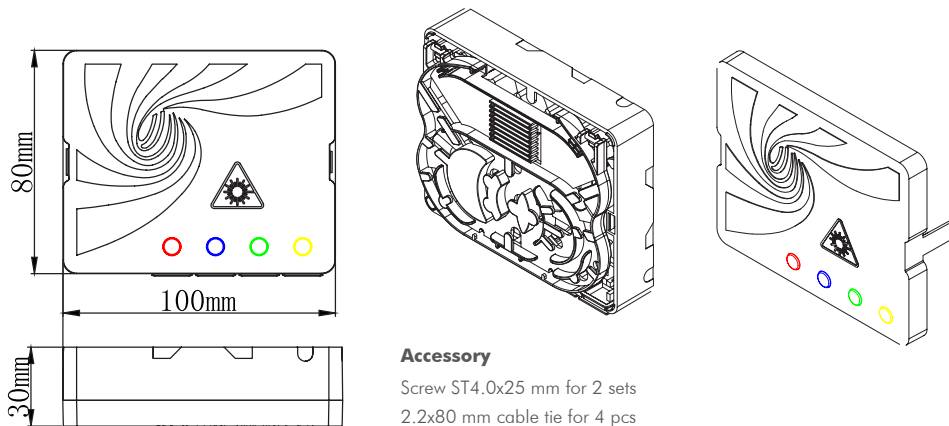
1. Single-mode fibre OS2 9/125 G657.A2, LSZH, 4 cores, 2.2 mm cable
2. Flame Retardant IEC 603321-2, Halogenfree IEC 60754-2, Smoke density IEC 61034
3. Reaction to fire: CPR Class Eca certified
4. Color: White (RAL 9001)

www.2direct.de



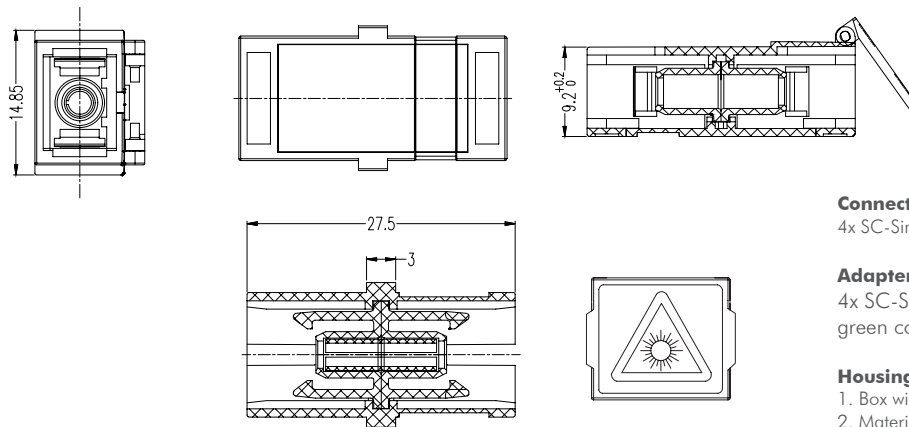
Made in China

*The specifications and pictures are subject to change without prior notice.
*All trade names referenced are the registered trademarks of their respective owners.



Accessory

Screw ST4.0x25 mm for 2 sets
2.2x80 mm cable tie for 4 pcs



Connector

4x SC-Simplex Connector APC 8°, with pigtail, green color

Adapter

4x SC-Simplex Adapter without flange, APC 8°, Grade B/1, green color

Housing

1. Box with swivelling splice tray including crimping splice holder
2. Material: ABS+PC (UL94-V0), for indoor use (IP20)
3. Suitable for wall mounting or Din-rail mounting (35 mm)
4. Color: White (RAL 9001)

Package Content

1x FTTH Termination Box 4 x SC/APC

Packaging Information

Cable Length	Packing Dimension	Packing Weight	Carton Q'ty	Packing Dimension	Packing Weight
20 m	250 x 235 x 50 mm	0,29 kg	10 pcs	480 x 265 x 260 mm	3,64 kg
30 m	250 x 235 x 50 mm	0,34 kg	10 pcs	480 x 265 x 260 mm	4,14 kg
40 m	250 x 235 x 50 mm	0,38 kg	10 pcs	480 x 265 x 260 mm	4,54 kg
50 m	250 x 235 x 50 mm	0,43 kg	10 pcs	480 x 265 x 260 mm	5,04 kg