
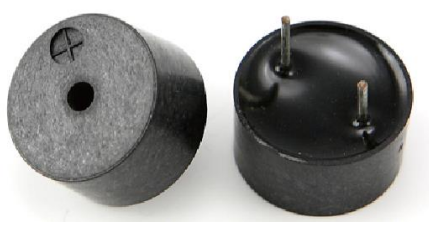

	DATE	17-02-2022	SPECIFICATION	ChangZhou Cre-Sound Electronics Co.,Ltd.
	PAGE	1/6		www.cre-soundbuzzer.com
	Rev.	A/0		www.wj-Lianhua.com
<i>MODEL NAME: LPB1475H-TO-03-4.0-7.6-R</i>				

SPECIFICATION FOR APPROVAL PIEZO BUZZER


Model Name	LPB1475H-TO-03-4.0-7.6-R
Note	

Product Photo	Cre-Sound
	DRAWING: 吴义涛
	CHECKED: 韦娟
	APPROVED: 宋雪琪
Customer Confirmation:	

ChangZhou Cre-Sound Electronics Co.,Ltd.
Tel: +86-519-86321175 Fax: +86-519-86702455
E-mail:sales3@wj-lianhua.com

	DATE	17-02-2022	SPECIFICATION	ChangZhou Cre-Sound Electronics Co.,Ltd.	
	PAGE	2/6		www.cre-soundbuzzer.com	
	Rev.	A/0		www.wj-Lianhua.com	
MODEL NAME: LPB1475H-TO-03-4.0-7.6-R					

Alteration History						
Change NO.	Note	Before of changes	After of changes	Reason	Revision by	Rev.

	DATE	17-02-2022	SPECIFICATION	ChangZhou Cre-Sound Electronics Co.,Ltd.
	PAGE	3/6		www.cre-soundbuzzer.com
	Rev.	A/0		www.wj-Lianhua.com
MODEL NAME: LPB1475H-TO-03-4.0-7.6-R				

Technical Terms:

No.	Technical terms	Value
1	Rated Voltage (VDC)	3
2	Operating Voltage(VDC)	2.0-5.5
3	*Rated Current (mA)	≤3
4	*Sound Output at 10cm(dB)	≥83
5	*Resonance Frequency(kHz)	4.0±0.5
6	Tone	Continuous
7	Operating Temperature(°C)	-40~+85
8	Storage Temperature(°C)	-40~+90
9	Weight (g)	0.96
10	Housing Material	PPO
11	RoHS	Yes

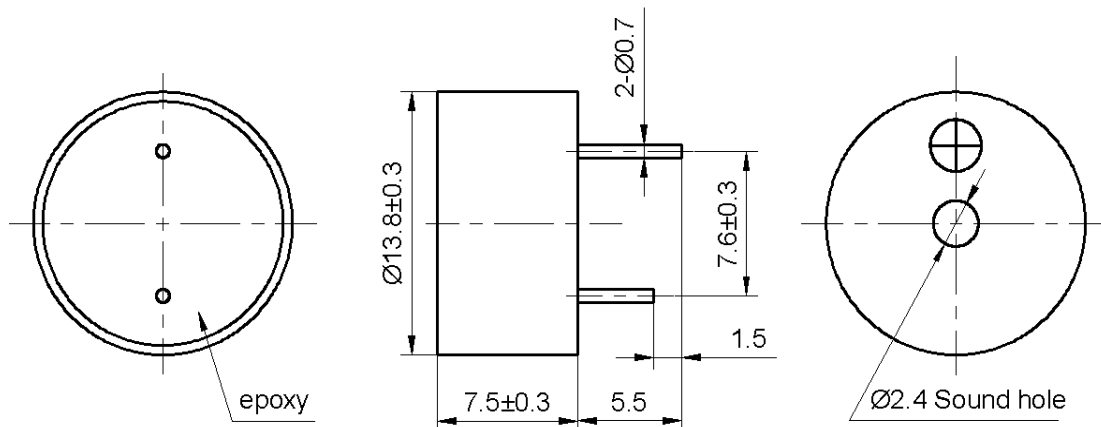
Remark: The special requirements in the test for no anti reverse connection.

*Value applying at rated voltage.


Test basic state: Temp(20±2°C) , Humidity(40~70%RH) , Air pressure(860~1060hPa).

Dimensions (UNIT: mm):

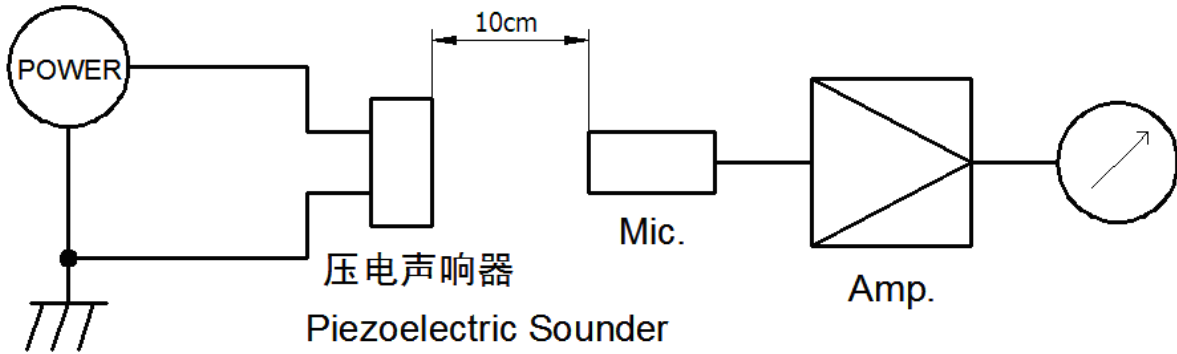
Tolerance: ±0.5mm Except Specified



ChangZhou Cre-Sound Electronics Co.,Ltd.
Tel: +86-519-86321175 Fax: +86-519-86702455
E-mail: sales3@wj-lianhua.com

	DATE	17-02-2022	SPECIFICATION	ChangZhou Cre-Sound Electronics Co.,Ltd.
	PAGE	4/6		www.cre-soundbuzzer.com
	Rev.	A/0		www.wj-Lianhua.com
<i>MODEL NAME: LPB1475H-TO-03-4.0-7.6-R</i>				

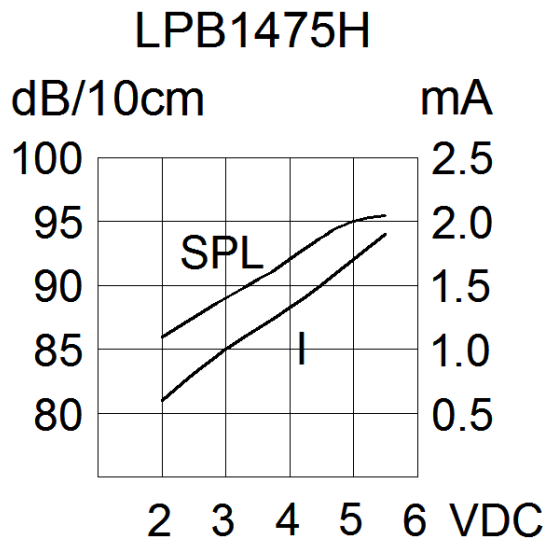
Test Method:




MIC: ND10 普通声级计或等同品
MIC: ND10 Sound Meter or equivalent

稳压电源: QJ6003S或等同品
DC Power Supply: QJ6003S or equivalent

SPL & Current Consumption vs. Input Voltage:



ChangZhou Cre-Sound Electronics Co.,Ltd.
Tel: +86-519-86321175 Fax: +86-519-86702455
E-mail: sales3@wj-lianhua.com

	DATE	17-02-2022	SPECIFICATION	ChangZhou Cre-Sound Electronics Co.,Ltd.
	PAGE	5/6		www.cre-soundbuzzer.com
	Rev.	A/0		www.wj-Lianhua.com
	<i>MODEL NAME: LPB1475H-TO-03-4.0-7.6-R</i>			

Reliability Test:


● Environment Test:

No.	Item	Test condition	Evaluation standard
1	High temp. test	+90±2℃, 96Hrs	After being placed for 2 to 4hrs at room temp, the product shall meet specifications, except the SPL should be in ±10dB compared with initial one.
2	Low temp. test	-40±2℃, 96Hrs	
3	Humidity test	40±2℃, 93(+2/-3)%RH for 96Hrs	
4	Temp. cycle test	-40±2℃, 30minutes +20±2℃, 15 minutes +90±2℃, 30 minutes +20±2℃, 15 minutes 5 cycles	

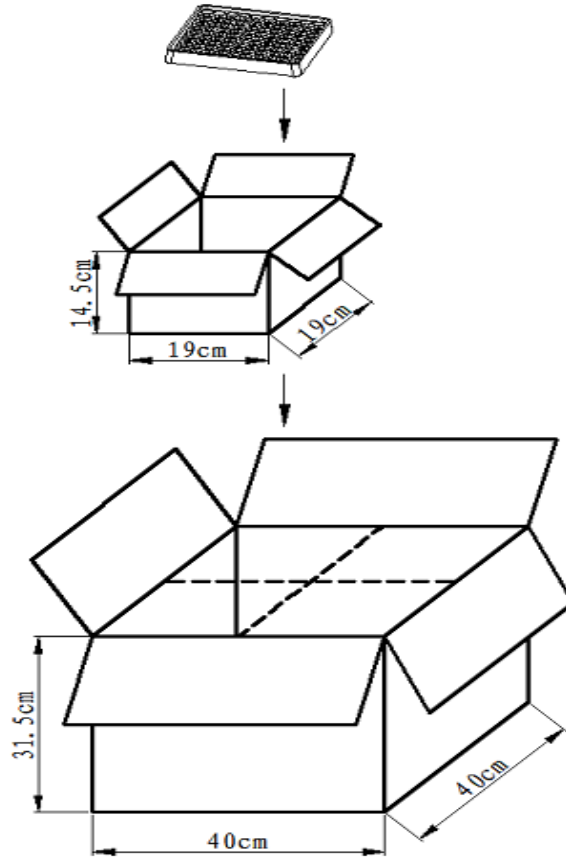
● Mechanical Characteristics:

No.	Item	Test condition	Evaluation standard
1	Solder ability	Pin terminals are immersed in rosin for 5 seconds and then immersed in solder bath of 270±5℃ for 3±1s.	90% min. lead terminals shall be wet with solder.(Except the edge of terminal)
2	Soldering heat resistance	Pin terminals are immersed up to 1.5mm from part's body in solder bath of 260±5℃ for 10±1s. Refer to GB2423.28.	No interference in operation
3	Vibration	1.5 mm with 10 to 55Hz band of vibration frequency to each of 3 perpendicular directions for 2 hrs.	After the test part shall meet specifications, except the SPL should be in ±10dB compared with initial one.
4	Drop test	The part only shall be dropped from the height of 70cm onto 10mm thick wooden board each 3 times in 3 axial directions(x,y&z) (a total of 9 times).	

ChangZhou Cre-Sound Electronics Co.,Ltd.
Tel: +86-519-86321175 Fax: +86-519-86702455
E-mail:sales3@wj-lianhua.com

	DATE	17-02-2022	SPECIFICATION	ChangZhou Cre-Sound Electronics Co.,Ltd.
	PAGE	6/6		www.cre-soundbuzzer.com
	Rev.	A/0		www.wj-Lianhua.com
<i>MODEL NAME: LPB1475H-TO-03-4.0-7.6-R</i>				

Packing:



NOTES:

1. 100 PCS per box
2. 10 boxes per inner carton
3. 1000pcs per inner carton
4. Inner carton volume: 19*19*14.5cm
5. 8 pcs inner cartons per carton
6. Total 8000 PCS carton
7. Volume:40*40*31.5cm

ChangZhou Cre-Sound Electronics Co.,Ltd.
Tel: +86-519-86321175 Fax: +86-519-86702455
E-mail:sales3@wj-lianhua.com