



Datasheet

RS PRO HDMI to DVI-D Adapter - Black

Stock number: 182-8558

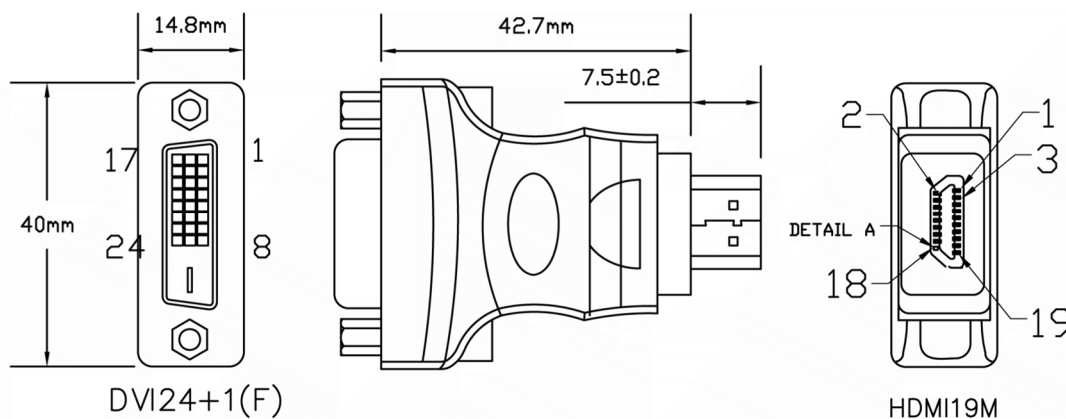
EN

The RSPRO Male HDMI to Female DVI-D adapter which has a black PVC jack and connectors have a gold flash covering to prevent corrosion.

There are three different types of DVI cables which all share a common connector, DVI-A(analogue), DVI-D(digital) and DVI-I(integrated).

This cable will passively convert a HDMI signal to DVI-D

DVI-D and DVI-I are also split into two types of cable, dual link and single link. Dual link has all the pins connected to achieve higher resolutions where as single link may have the physical pins present but some will not be connected inside the cable.



HDMI19M	1	3	2	4	6	5	7	9	8	10	12	11	17	18	15	16	19	64
DVI24+1(F)	2	1	3	10	9	11	18	17	19	23	24	22	15	14	6	7	16	64
	SHELL																	

1. CABLE:28AWG,UL1007,WIRE,8C,BLUE*8C,PVC JACKET
2. LENGTH: 15MM*8C
3. CONNECTOR:DVI24+1F*1PCS,HDMI19M*1PCS
4. CONTACTS

RoHS / REACH / CE

rspro.com