

Compact limit switch conforming to NFC 63 145

→ Series 83 880 with cable output

- IP 66/67
- Metal case
- cUL approval

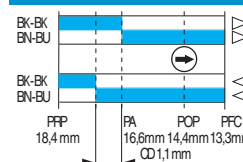


Main specifications

| Characteristics | Type of output | Metal plunger |
|-------------------------|------------------|-------------------|
| Standard | Cable length 1 m | 83 880 101 |
| Standard | Cable length 2 m | 83 880 102 |
| Standard | Cable length 3 m | 83 880 103 |
| Standard | Cable length 6 m | 83 880 106 |
| Plunger with 90° roller | Cable length 1 m | - |
| Plunger with 90° roller | Cable length 2 m | - |
| Plunger with 90° roller | Cable length 3 m | - |
| Plunger with 90° roller | Cable length 6 m | - |

Mechanical characteristics

Sequence
Snap action



| | |
|--|--------------------|
| Minimum operating force (N) | 10 |
| Minimum operating force (Nm) | - |
| Minimum total travel force (N) | 30 |
| Minimum total travel force (Nm) | - |
| Min. positive opening travel (N) | 28 |
| Min. positive opening travel (Nm) | - |
| Mechanical life millions of operations | 10 |
| Vertical approach speed | 1 mm/min → 0.5 m/s |
| Horizontal approach speed (30° cam) | - |
| Weight (g) | 190 |

General characteristics

| | |
|--|---|
| Assigned impulse voltage (Uimp) - V | 2500 |
| Assigned insulation voltage (Ui) V | 500 |
| Thermal current (Ith) A | 10 |
| Low-load switching - Minimum voltage (V) | 10 |
| Low-load switching - Minimum current (mA) | 100 |
| Assigned working characteristics (EN 60 947.5.1, UL 508) | A300 = AC15 250 V 6 A Q150 = DC13 24 V 8 A |
| Use category according to IEC 947.5.1 | AC15=250 V/6 A DC13=24 V/8 A |
| Use category according to UL 508 | A300 - Q150 |
| Electrical protection | Integral earth wire Short-circuit protection device : IEC/EN 60947.5.1 Fuse 6 AgC |
| Approvals | UL 508, UL 50 |

Product adaptations



- Contact type
- Rear output
- Protective scraper seal
- Length of cable/connector/stripping
- Connector output
- Low level contact



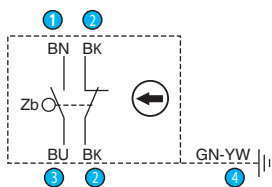
| Metal roller plunger | Metal plunger with threaded barrel | Roller plunger - metal with threaded barrel | Steel metal roller lever (2 directions of attack) |
|----------------------|------------------------------------|---|---|
| 83 881 101 | 83 884 101 | 83 882 101 | 83 883 101 |
| 83 881 102 | 83 884 102 | 83 882 102 | 83 883 102 |
| 83 881 103 | 83 884 103 | 83 882 103 | 83 883 103 |
| 83 881 106 | 83 884 106 | 83 882 106 | 83 883 106 |
| 83 885 101 | - | 83 886 101 | - |
| 83 885 102 | - | 83 886 102 | - |
| 83 885 103 | - | 83 886 103 | - |
| 83 885 106 | - | 83 886 106 | - |
| | | | |
| 10 | 10 | 10 | - |
| - | - | - | 0.15 |
| 30 | 30 | 30 | - |
| - | - | - | 0.35 |
| 28 | 28 | 28 | - |
| - | - | - | 0.15 |
| 10 | 10 | 10 | 10 |
| 1 mm/min → 0.5 m/s | - | 1 mm/min → 0.5 m/s | 1 mm/min → 0.5 m/s |
| 1 mm/min → 0.3 m/s | 1 mm/min → 0.3 m/s | 1 mm/min → 0.3 m/s | - |
| 200 | 220 | 220 | 230 |

Principles

Function

Four-terminal double break two-way contact element (form Zb) with positive opening NC contacts. The 2 moving contacts are electrically isolated from one another.

Snap-action contact

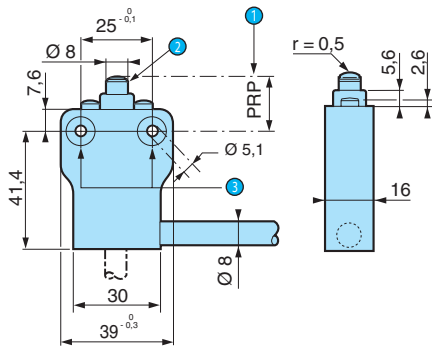


- ① Brown
- ② Black
- ③ Blue
- ④ Green-yellow

Dimensions

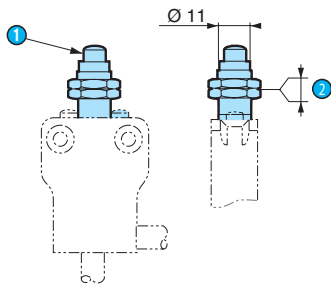
→ Product

83 880 1



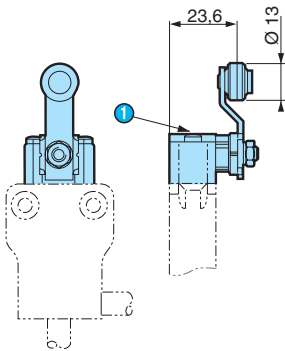
- 1 See sequence diagram
- 2 POP marking
- 3 $\varnothing 10 \times 5.1$ - 4 counterbores

83 884 1



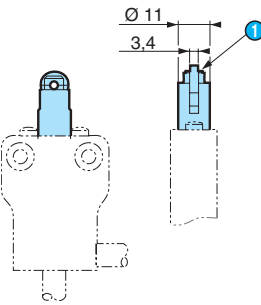
- 1 POP marking
- 2 Max.tightening thickness 8.5

83 883 1



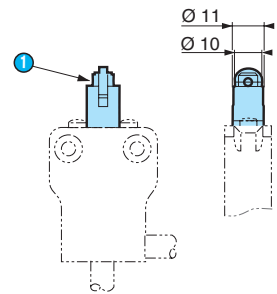
- 1 POP marking

83 881 1



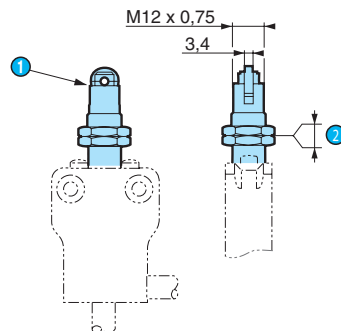
- 1 POP marking

83 885 1



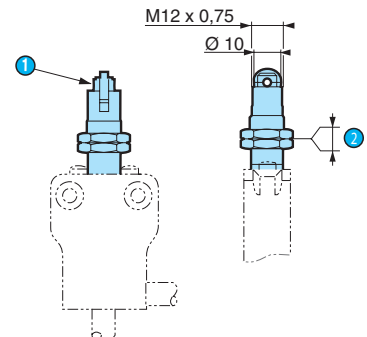
- 1 POP marking

83 882 1



- 1 POP marking
- 2 Max.tightening thickness 10.5

83 886 1



- 1 POP marking
- 2 Max.tightening thickness 10.5

Mouser Electronics

Authorized Distributor

Click to View Pricing, Inventory, Delivery & Lifecycle Information:

Crouzet:

[83881140](#) [83880111](#) [83880113](#) [83881111](#) [83881113](#) [83881120](#) [83882111](#) [83882112](#) [83883111](#) [83883113](#)
[83884111](#) [83884112](#) [83884113](#) [83885111](#) [83885112](#) [83885113](#) [83886111](#) [83886112](#) [83886113](#) [83887901](#)
[83881130](#) [83883114](#) [83883120](#) [83883140](#) [83883150](#) [83887902](#)