

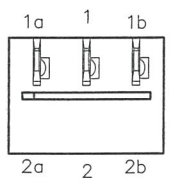
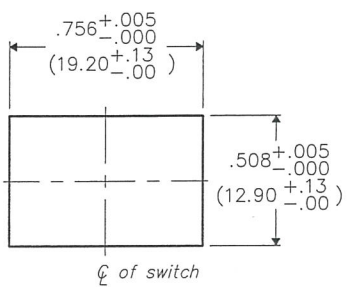
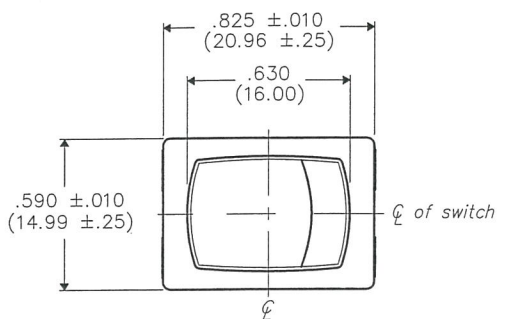
THIS INFORMATION IS CONFIDENTIAL AND PROPRIETARY TO CW INDUSTRIES INCORPORATED AND ITS AFFILIATES. IT MAY NOT BE DISCLOSED TO ANYONE OTHER THAN CW INDUSTRIES PERSONNEL, WITHOUT WRITTEN AUTHORIZATION FROM CW INDUSTRIES INCORPORATED, SOUTHAMPTON, PENNSYLVANIA USA.

F
D
C
B
A

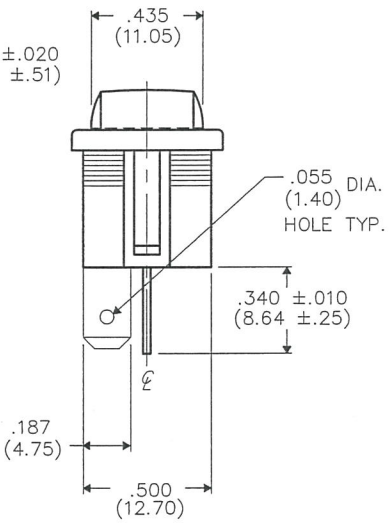
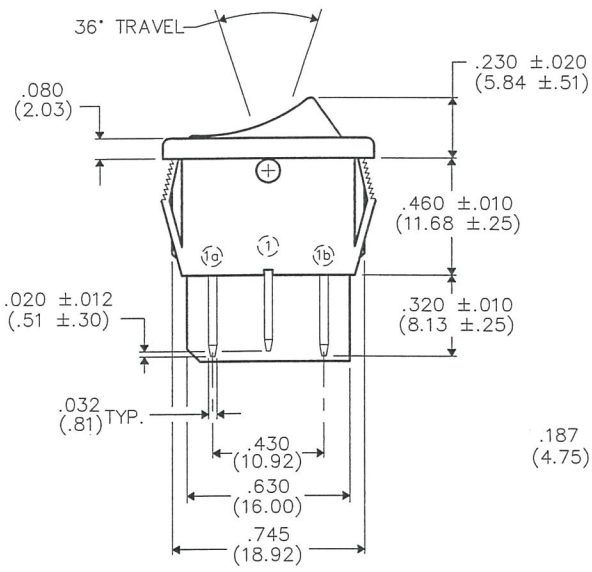
DIMENSIONS IN INCHES (MILLIMETERS)
DO NOT SCALE DRAWING

Dwg. No.
GRS-4012-0026

PANEL PIERCING



BOTTOM VIEW



UL & CSA LISTED:

16A 125-250VAC 10A 14V (T)
3/4 H.P. 125-250VAC 3A 125V L

MATERIALS:

BUTTON - NYLON 6/6 94V-2, COLOR/RED
HOUSING - NYLON 6/6 94V-2, COLOR/BLACK
TERMINAL & MOVING CONTACT - COPPER ALLOY

1 2 3 4 5 6 7 8 9 10

| | | | |
|---------------|--|---|---|
| B-FORMAT 2002 | REVISIONS | 0 | 1 |
| | RELEASED: Dwg 1-17-2002 JAN. 22, 2002 | | |
| | REDRAWN, UPDATED WITH NEW FORMAT AND ADDED UL & CSA LISTED AND MATERIALS. Dwg 2-25-2013 FEB 26 2013 | | |

| | | | | | | | | | |
|--|--|--|--|--|--|--|--|--|--|
| | | | | | | | | | |
|--|--|--|--|--|--|--|--|--|--|

| | | | |
|------------------------------------|--|---|--|
| PDF MADE | CW INDUSTRIES Southampton, Pa. 18966 | Title: ROCKER SWIDGET ASSEMBLY (POP IN) S.P.- D.T. | |
| | TOLERANCES UNLESS OTHERWISE SPECIFIED | | |
| | 2 Place Decimal ±.010 | METRIC | |
| | 3 Place Decimal ±.005 | 1 Place Dec. ±.25mm | |
| | Angles ±1' | 2 Place Dec. ±.13mm | |
| Made for: CW IND. | Division: SWITCH | | |
| Drawn by: DGW 1-17-2002 | Dwg. No. GRS-4012-0026 | | |
| Checked by: <i>G. Guld 2-26-13</i> | | | |
| Approval: <i>C. Hanna 2/26/13</i> | | | |

MASTER

Mouser Electronics

Authorized Distributor

Click to View Pricing, Inventory, Delivery & Lifecycle Information:

[CW Industries:](#)

[GRS-4012-0026](#)