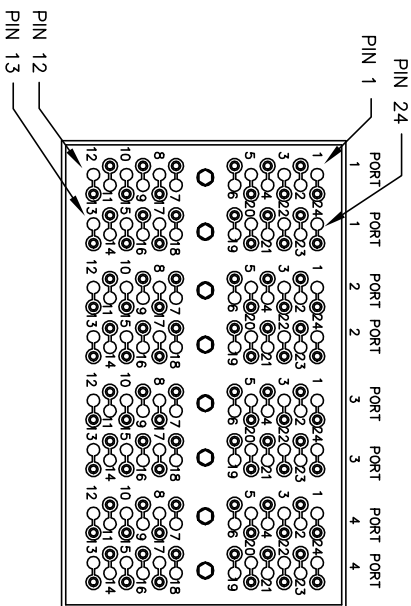
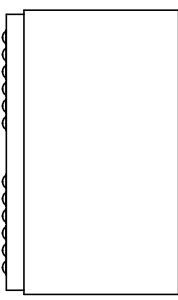
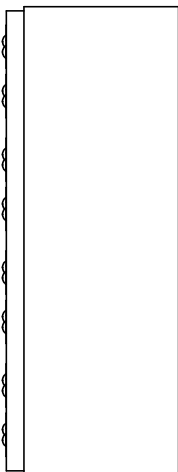
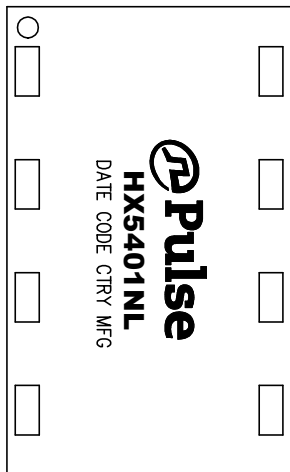


NOTES:

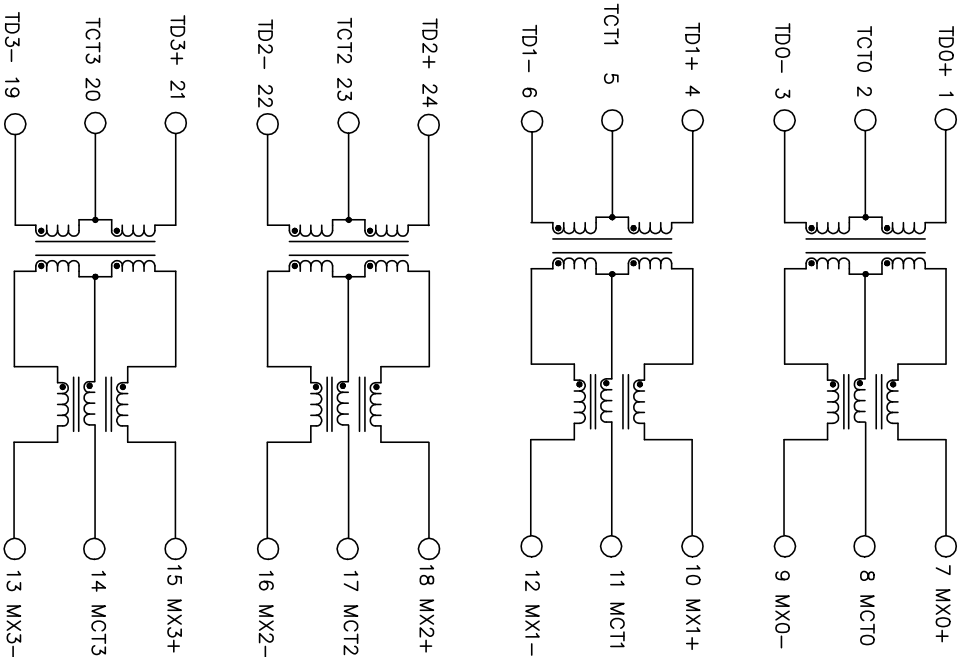
1. ROHS COMPLIANT
2. HEADER: THERMOSET PLASTIC MATERIAL WITH FLAMMABILITY RATING UL 94V-0 OR BETTER.
3. STORAGE TEMPERATURE: -50°C TO +125°C
4. COMPLIANCE TO J-STD:
  - A. J-STD-002: SOLDERABILITY AT 245°C REFLOW PROFILE
  - B. J-STD-020: LEVEL 1, NO MOISTURE SENSITIVE
  - C. J-STD-075: R4, 260°C MAXIMUM THROUGH REFLOW SOLDER
5. TO ORDER TAPE & REEL PACKAGING ADD A "T" SUFFIX TO THE PART NUMBER(i.e HX5401NL BECOMES HX5401NLT).



FINAL OUTLINE

@ Copyright, 2018, Pulse Electronics Corp. All rights reserved. Pulse confidential & proprietary. (08/28/18)

PRODUCT DESCRIPTION	TLA DRAWING	PS DRAWING	SHEET	PART NO.	DATASHEET REV.
MDL,SIN,1GP,1:1,SM,TU	HX5401NL-14	PS-2435.001-D	1 OF 3	HX5401NL	B



SCHEMATIC  
EACH PORT

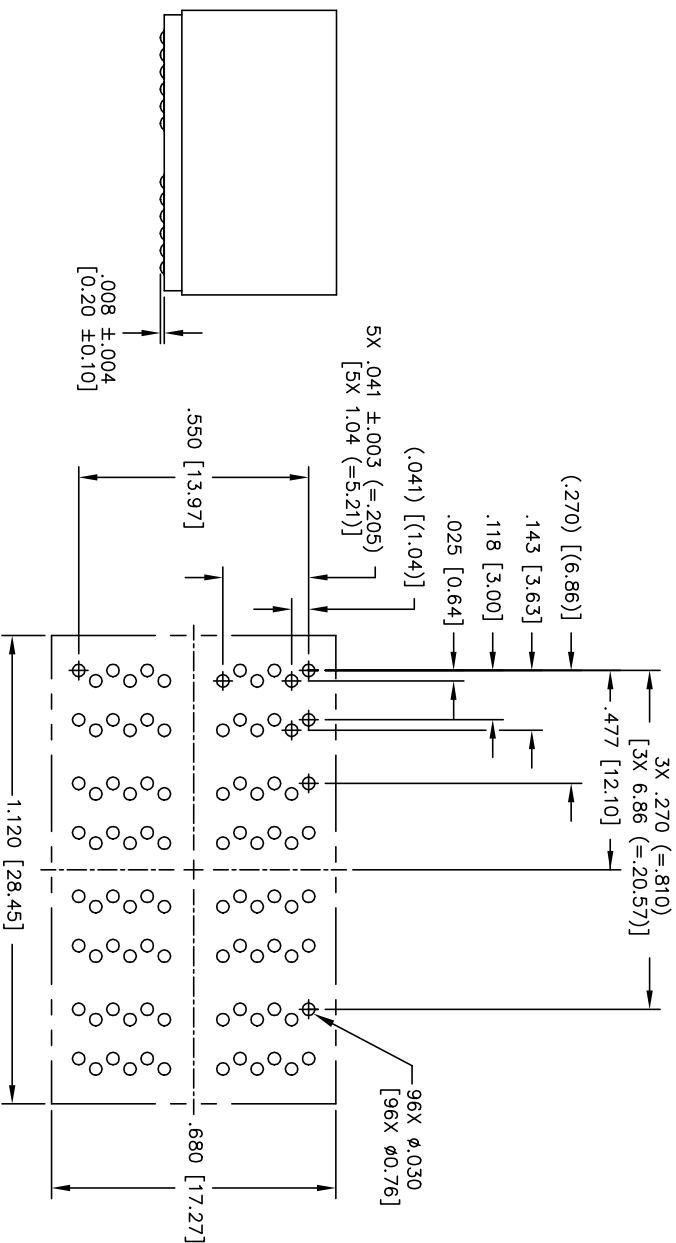
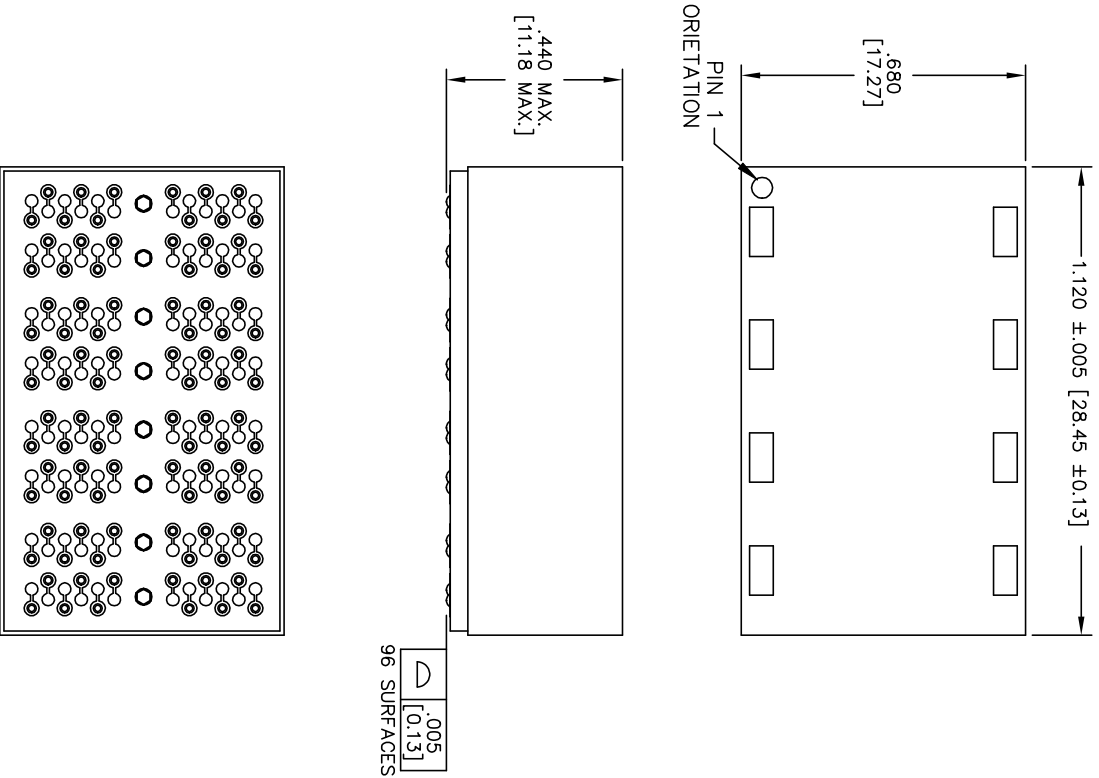
ELECTRICAL CHARACTERISTICS AT +25°C UNLESS OTHER SPECIFIED  
(FOR REFERENCE ONLY. USED FOR CUSTOMER INFORMATION.)

PARAMETER	SPECIFICATIONS	
OPERATING TEMP	-40°C TO +85°C	
TURNS RATIO	1 : 1 ±2%	
POLARITY	PER SCHEMATIC	
INSERTION LOSS	100 KHZ	1-125 MHZ
	-1.2 DB MAX	-0.2-0.002*f <sup>1.4</sup> DB MAXIMUM
RETURN LOSS	.1-40 MHZ	40-100 MHZ
(Z OUT=100 OHM ±15%)	-16 DB MIN	-10+20*LOG <sub>10</sub> (f/80 MHZ) DB MINIMUM
INDUCTANCE (OCL) (MEDIA SIDE, -40°C~+85°C)	350 UH MIN	(MEASURED AT 100 KHZ, 100 mV <sub>RMS</sub> ) (AND WITH 8 mA DC BIAS)
CROSSTALK, ADJACENT CHANNELS	1 MHZ	10-100 MHZ
	-50 DB MIN	-55+22*LOG <sub>10</sub> (f/10) DB MINIMUM
COMMON MODE REJECTION RATIO	2 MHZ	30-200 MHZ
	-50 DB MIN	-15+20*LOG <sub>10</sub> (f/200) DB MINIMUM
DC RESISTANCE, 1/2 WINDING	.65 OHMS MAXIMUM	
DC RESISTANCE IMBALANCE	±.065 OHMS MAXIMUM (CENTER TAP SYMMETRY)	
DC CURRENT/VOLTAGE RATING	350 mA MAX @ 57 V (CONTINUOUS)	
INPUT - OUTPUT ISOLATION	1500 VRMS MINIMUM AT 60 SECONDS	

NOTE: f IS FREQUENCY IN MHZ.

© Copyright, 2018, Pulse Electronics Corp. All rights reserved. Pulse confidential & proprietary. (08/28/18)

PRODUCT DESCRIPTION	TLA DRAWING	PS DRAWING	SHEET	PART NO.	DATASHEET REV.
MDL,SIN,1GP,1:1,SM,TU	HX5401NL-14	PS-2435.001-D	2 OF 3	HX5401NL	B



DIMENSIONS ARE IN INCHES [MILLIMETERS] WITH THE FOLLOWING TOLERANCES: [MILLIMETERS] ARE FOR REFERENCE ONLY.  
 .XX =  $\pm 0.02$  [ $\pm 0.5$ ]  
 .XXX =  $\pm 0.010$  [ $\pm 0.25$ ]

@ Copyright, 2018, Pulse Electronics Corp. All rights reserved. Pulse confidential & proprietary. (08/28/18)

PRODUCT DESCRIPTION	TLA DRAWING	PS DRAWING	SHEET	PART NO.	DATASHEET REV.
MDL,SIN,1GP,1:1,SM,TU	HX5401NL-14	PS-2435.001-D	3 OF 3	HX5401NL	B