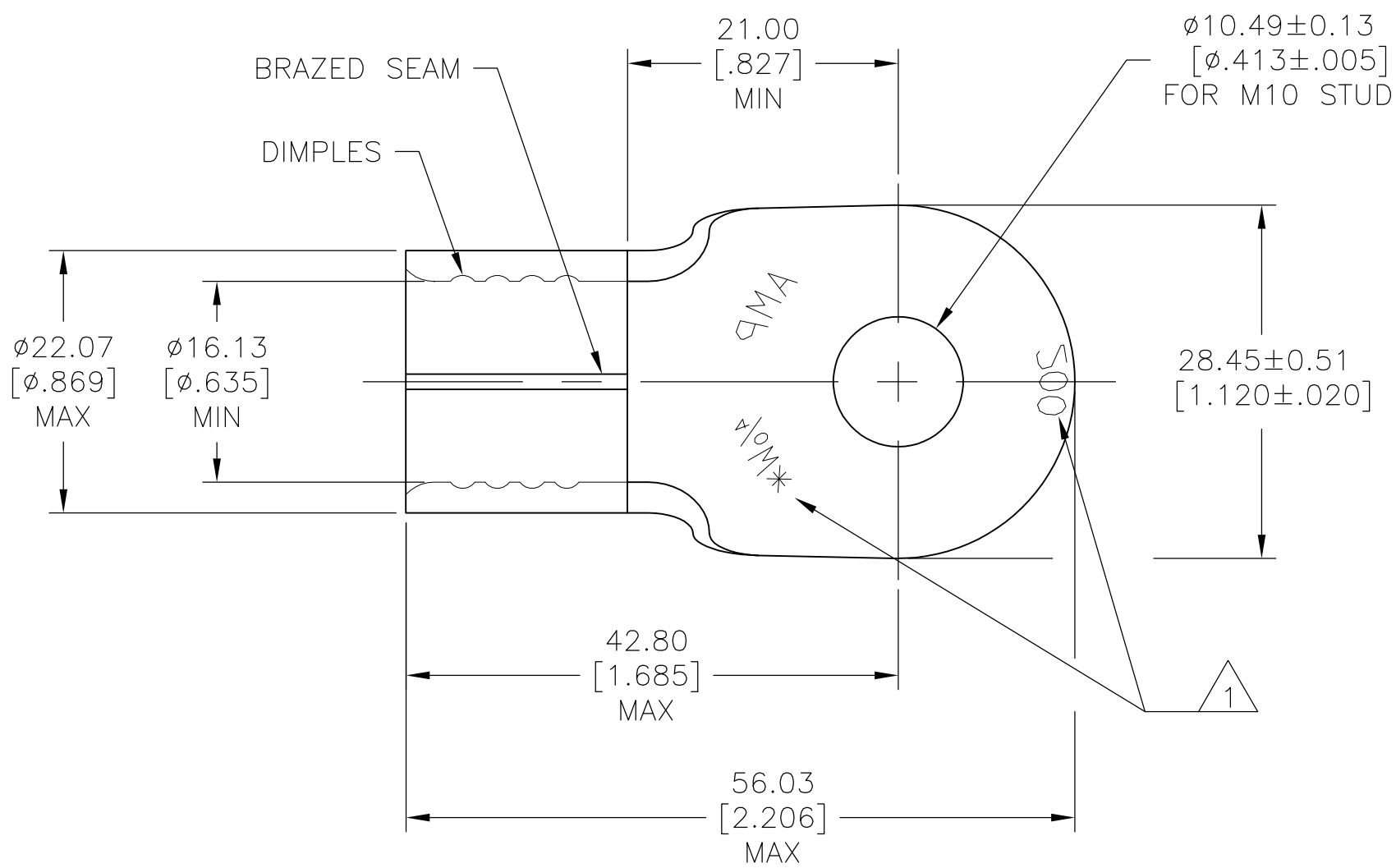


THIS DRAWING IS UNPUBLISHED. RELEASED FOR PUBLICATION  
 © COPYRIGHT - By - ALL RIGHTS RESERVED.

LOC	DIST	REVISIONS					
G	02	P	LTR	DESCRIPTION	DATE	DWN	APVD
		A		REDRAWN PER ECO-12-018155	29JAN13	KH	DR

- △ 1 STAMP AMP 4/0 W\* 200 APPROX AS SHOWN
- 2 MATERIAL THICKNESS 2.59±0.08[.102±.003]
- △ 3 MATERIAL: COPPER PER ASTM B152
- △ 4 FINISH: TIN PLATE PER ASTM B545



25	LOOSE PIECE	160129
QTY	PACKAGING	PART NUMBER

**AMP INCORPORATED**  
**CUSTOMER SERVICE SYSTEMS**

FOR ADDITIONAL PRODUCT INFORMATION OR COPIES OF DRAWINGS AND TECHNICAL DOCUMENTS  
 PRODUCT INFORMATION CENTER  
 1-800-522-6752

FOR APPLICATION TOOLING INFORMATION  
 TOOLING ASSISTANCE CENTER  
 1-800-722-1111

FOR ORDER ENTRY  
 1-800-526-5142

MAX RECOMMENDED OPERATING TEMPERATURE:  
 170°C [338°F] MAX

VOLTAGE RATING:  
 N/A

WIRE:  
 96.3-117.0mm<sup>2</sup>[190,000-231,100]  
 CIR MILLS  
 SOLID OR STRANDED

THIS DRAWING IS A CONTROLLED DOCUMENT.

DIMENSIONS: mm [INCHES]

TOLERANCES UNLESS OTHERWISE SPECIFIED:

0 PLC	± -
1 PLC	± -
2 PLC	± -
3 PLC	± 0.13[.005]
4 PLC	± -
ANGLES	± 5°

MATERIAL △ 3

FINISH △ 4

DWN	KIRAN HOLAL	29JAN13
CHK	ROHDE DANIEL	29JAN13
APVD	ROHDE DANIEL	29JAN13
PRODUCT SPEC	-	
APPLICATION SPEC	-	
WEIGHT	-	

**STE** TE Connectivity

NAME: RING TONGUE, SOLISTRAND WIRE SIZE 4/0

SIZE	CAGE CODE	DRAWING NO	RESTRICTED TO
A3	00779	C-160129	-

CUSTOMER DRAWING SCALE 2:1 SHEET 1 OF 1 REV A