

NX3225GD

For Automotive

■ Features

A small surface-mount type crystal unit, ideal for an engine control CPU clock; delivering the high reliability that is particularly demanded by automotive.

Compatible with low frequency range starting from 8 MHz.

- Ultra compact and thin. (3.2x2.5mm typ., t1.0mm max.)
- High resistance to solder cracking.
- Stable start-up characteristics even under extremely severe environmental conditions.
- Excellent environment-resistant performance, including heat, vibration and shock resistance.
- Meets the requirements for re-flow profiling using lead-free solder.
- Conforms to AEC-Q200.



RoHS Compliant
Directive 2002/95/EC

■ Specifications

Item	Model	NX3225GD
Nominal frequency		8 to 12 MHz
Overtone order		Fundamental
Frequency tolerance (25 ±3 °C)		±50 × 10 ⁻⁶
Frequency versus temperature characteristics (with reference to +25 °C)		±150 × 10 ⁻⁶
Operating temperature range		-40 to +150 °C
Storage temperature range		-40 to +150 °C
Equivalent series resistance		Refer to *1
Level of drive		10 μW (Max. 200 μW)
Load capacitance		8 pF

The above specifications are standard for this NDK product.

Custom-made specifications such as load capacitance and temperature characteristics are also available.

Please contact NDK sales with your enquiries.

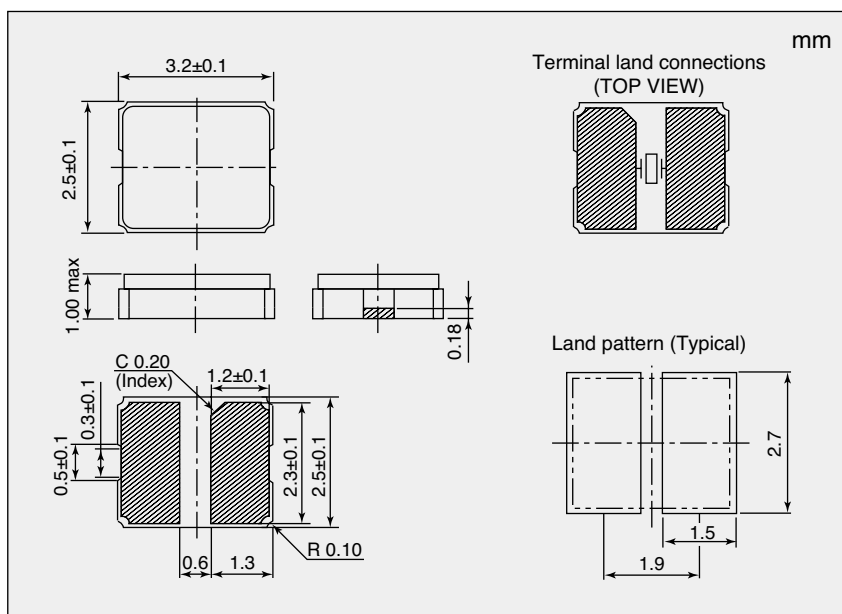
■ How to Specify an Order

When ordering our products, specify them with an "Ordering Code" that consists of the following :

[Model name] - [Frequency (Max : 9 digits)] M - [Number for specifying an order] Example NX3225GD-8.000M-STD-CRA-3

If you have any queries concerning our standard frequencies and numbers for specifying orders, please contact our sales representatives or visit our homepage (<http://www.ndk.com/>).

■ Dimensions



*1 Equivalent Series Resistance

Nominal frequency (MHz)	Equivalent Series Resistance max. [Ω]
8 to 9.8	500
9.8 to 12	300