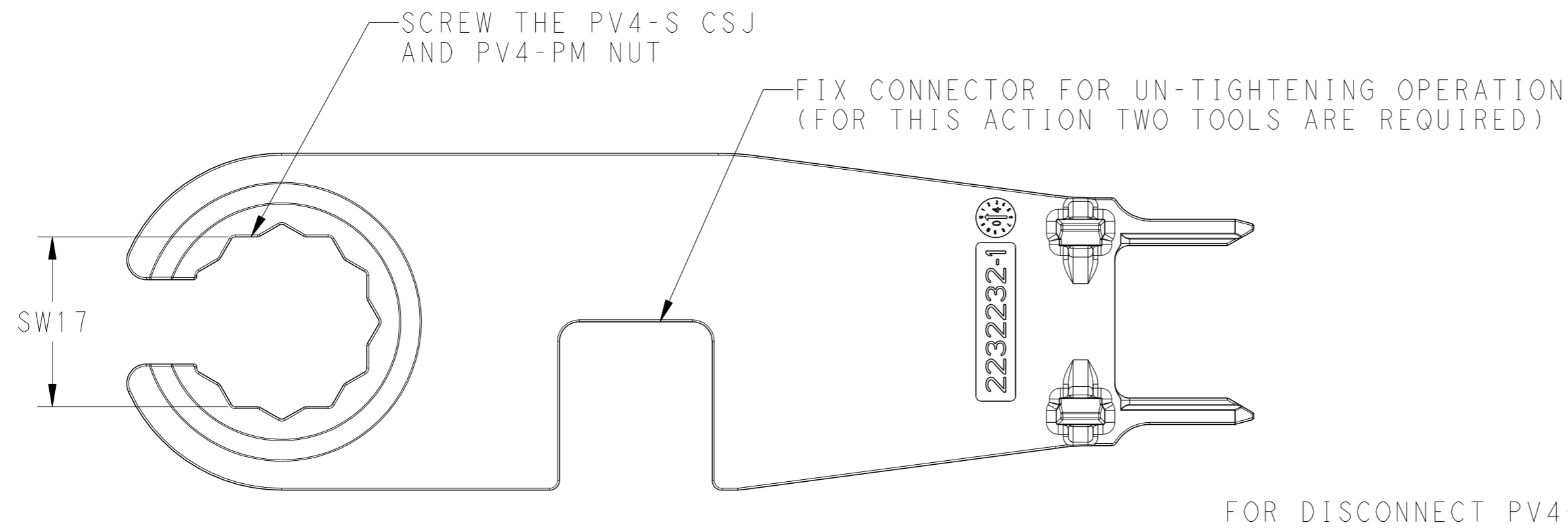
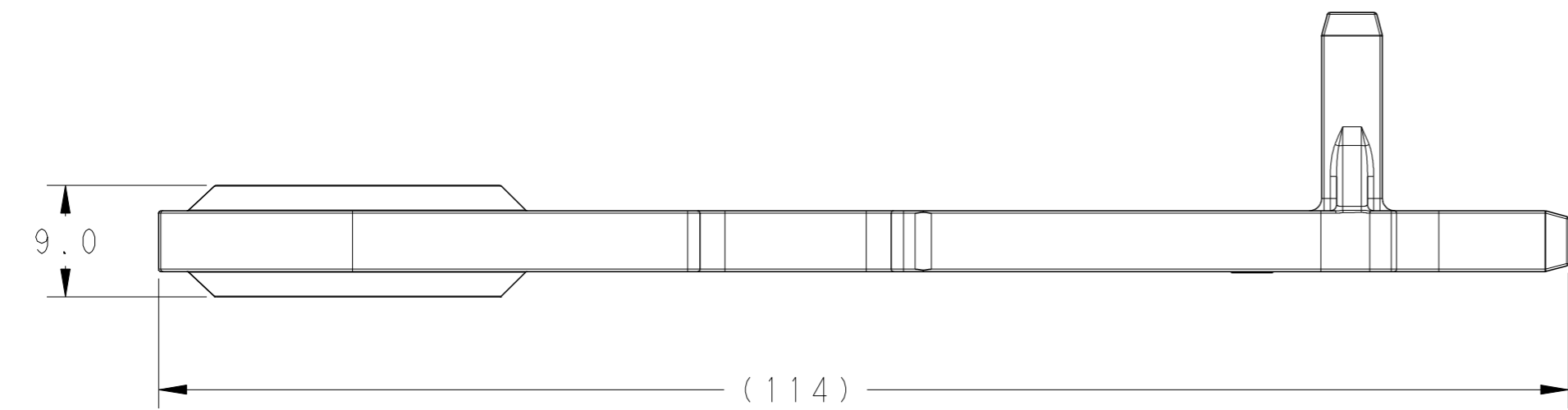


THIS DRAWING IS UNPUBLISHED. RELEASED FOR PUBLICATION 20
 © COPYRIGHT 20 TE CONNECTIVITY ALL RIGHTS RESERVED.

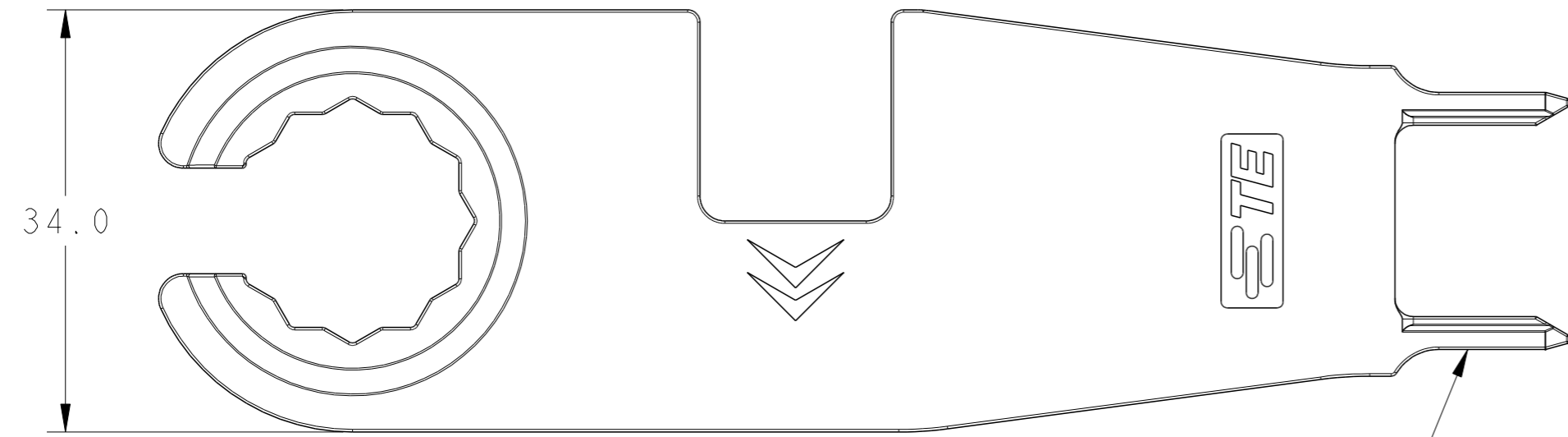
LOC		DIST		REVISIONS			
P	LTR	DESCRIPTION	DATE	DWN	APVD		
	A	INITIAL	09JUN2013	CW	PY		
	B	ADD NEW DISCONNECT PV4-PM FEATURE	2JAN2014	LW	PY		
	C	MODIFY DISCONNECT FUCTURE	08NOV2017	SG	SM		



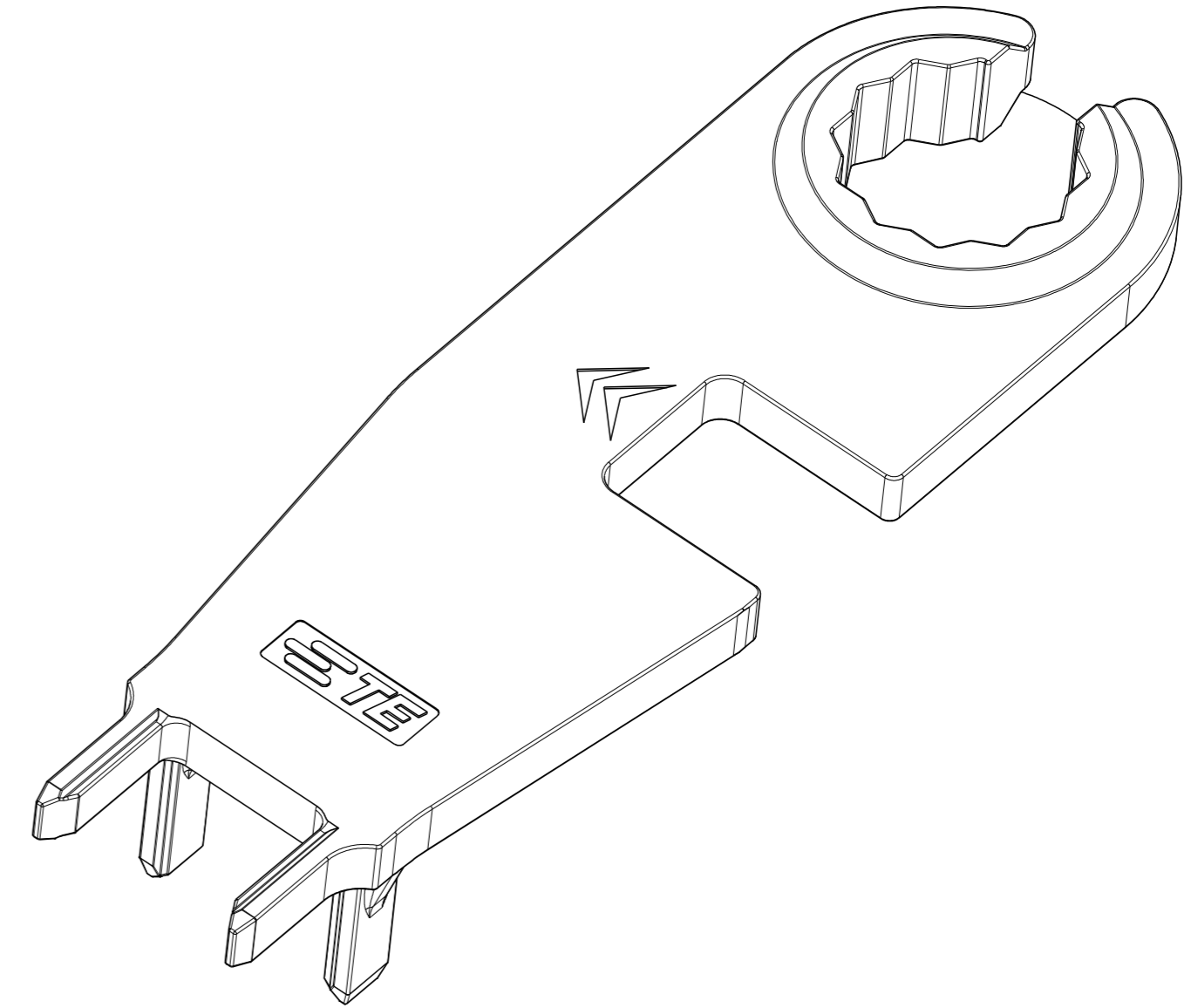
FOR DISCONNECT PV4-PM CONNECTOR



TWELVE RING SPANNER



FOR DISCONNECT PV4-S CONNECTOR



MATERIAL: POLYMER
 COLOUR: ORANGE
 NET WEIGHT: 18.2g

PART NUMBER: 2232232-1

THIS DRAWING IS A CONTROLLED DOCUMENT.		DWN CHRIS WANG 09 JUN 2013	STE TE Connectivity	
DIMENSIONS: mm		CHK DANIEL TAO 09 JUN 2013		
TOLERANCES UNLESS OTHERWISE SPECIFIED: 0 PLC ±0.5 1 PLC ±0.3 2 PLC ± 3 PLC ± 4 PLC ± ANGLES ± FINISH		APVD PETER YIN 09 JUN 2013	NAME OPEN AND TIGHTEN TOOL	
MATERIAL		PRODUCT SPEC -	SIZE A200779	CAGE CODE C-2232232
-		APPLICATION SPEC 114-106122	DRAWING NO -	RESTRICTED TO -
-		WEIGHT -	SCALE 1:1	SHEET 1 OF 1
-		CUSTOMER DRAWING	REV C	

Mouser Electronics

Authorized Distributor

Click to View Pricing, Inventory, Delivery & Lifecycle Information:

[TE Connectivity:](#)

[2232232-1](#)