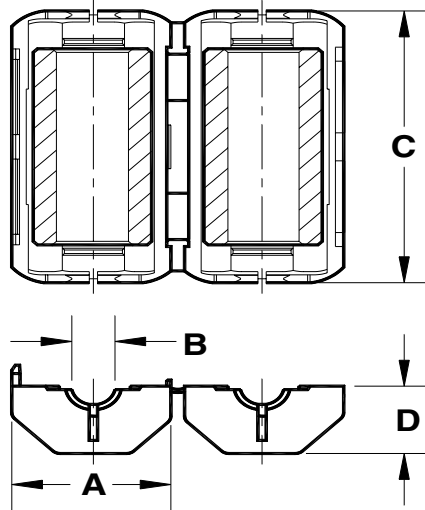


61 Material Round Cable Snap-its

Part Number 0199000033



Part Number	Cable Diameter	A	B*	C	D	Impedance Ω **			Z, R _s , X _L vs. Frequency Curve See back of kit
						100MHz	250MHz	500MHz	
0461164281	7.0 Max .275 Max	20.0 .788	6.6 .260	39.4 1.55	9.78 .385	270	395	430	Figure 1
0461167281	10.5 Max .410 Max	23.7 .933	10.2 .400	39.4 1.55	11.7 .461	195	315	455	Figure 2
0461164181	13.3 Max .525 Max	31.0 1.220	13.0 .512	39.4 1.55	15.25 .600	205	335	475	Figure 3

Dimensions (Bold numbers are in millimeters, light numbers are nominal in inches.)

Cases are polypropylene with a flammability rating of UL 94-V0

* "B" Dimension is the core dimension

¹Guaranteed Z Min is Z Typ -20%

Fair-Rite Products Corp. P.O. Box J, One Commercial Row, Wallkill, NY 12589-0288

Phone: (888) FAIR RITE / (845) 895-2055
(888) 324-7748

FAX: (888) FERRITE / (845) 895-2629 www.fair-rite.com E-Mail: ferrites@fair-rite.com
(888) 337-7483

61-0702