

汽车开关

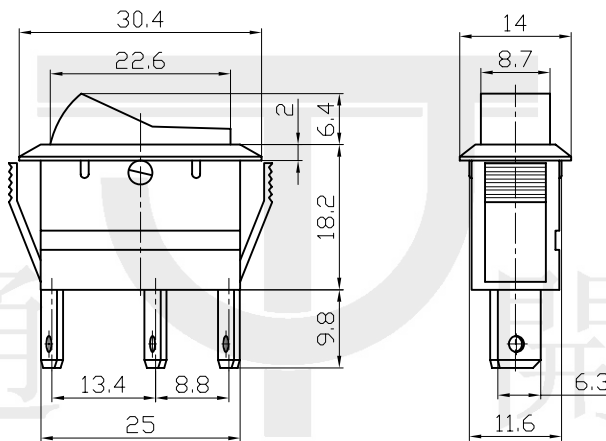
Automobile Switch

型号(TYPE): ASW-09D

技术特性 (Specification)

- 规格 (Rating): 20A 12V DC
- 接触电阻 (Contact R): $50\text{m}\Omega$ max
- 绝缘电阻 (Insulation R): 500V DC $100\text{M}\Omega$ min
- 耐电压 (Dielectric Strength): 1 Minute 1500V AC
- 操作温度 (Operating Temperature): $-25^{\circ}\text{C} \sim +85^{\circ}\text{C}$
- 电气寿命 (Electrical Life): 10,000 Cycles

外型图 (Outline Drawing)



安装尺寸 (Mounting)



电路图 (Circuitry)

