

Series 80 Mighty Mouse Dummy Receptacle for 801 Connectors 657-072 Flange Mount - Dimensions



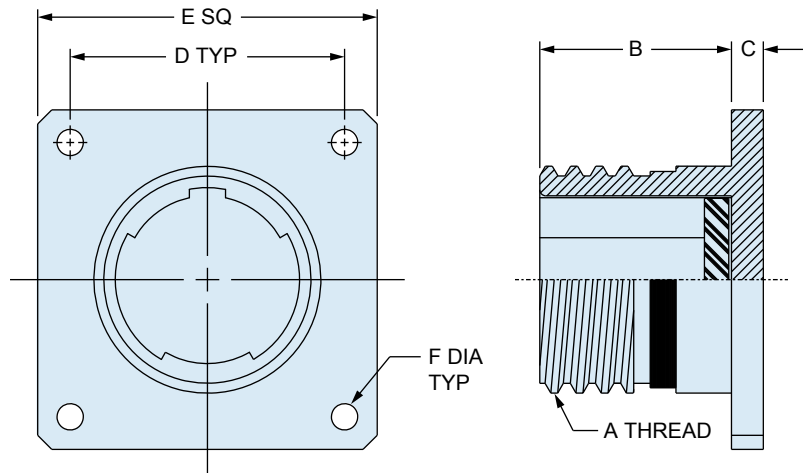
How To Order			
Sample Part Number	657-072	M	10
Series	657-072		
Shell Material and Finish	C = Aluminum / Black Anodize (Non-Conductive) RoHS Compliant M = Aluminum / Electroless Nickel NF = Aluminum / Cadmium with Olive Drab ZN = Aluminum / Zinc-Nickel with Olive Drab Chromate ZNU = Aluminum / Zinc-Nickel with Black Chromate Z1 = Stainless Steel / Passivated ZB = Stainless Steel / Olive Drab Chromate over Cadmium ZC = Stainless Steel / Zinc Cobalt Alloy / Black Chromate		
Shell Size (See Table II)	5, 6, 7, 8, 9, 10, 11, 13, 16, 17, 19, 21		

These flange mount style Series 800 dummy stowage receptacles provide a safe and convenient place to store and protect cabled connectors when not in use, due to routine maintenance or during repair of plug cables.

NOTES

Materials and Finishes

- Cover: Al Alloy or Stainless Steel
- Seal: Fluorosilicone



Shell Size	A thread	B		C		D		E		F Dia	
		in.	mm.	in.	mm.	in.	mm.	in.	mm.	in.	mm.
5	.3125-.05P-.1L-DS-2A	.370	9.40	.060	1.52	.363	9.22	.530	13.46	.093	2.36
6	.3750-.05P-.1L-DS-2A	.370	9.40	.060	1.52	.423	10.74	.590	14.99	.093	2.36
7	.4375-.05P-.1L-DS-2A	.370	9.40	.060	1.52	.483	12.27	.650	16.51	.093	2.36
8	.5000-.05P-.1L-DS-2A	.370	9.40	.060	1.52	.545	13.84	.712	18.08	.093	2.36
9	.5265-.05P-.1L-DS-2A	.370	9.40	.060	1.52	.607	15.42	.850	21.59	.128	3.25
10	.6250-.05P-.1L-DS-2A	.370	9.40	.060	1.52	.670	17.02	.890	22.61	.128	3.25
11	.6875-.05P-.1L-DS-2A	.370	9.40	.060	1.52	.715	18.16	.935	23.75	.128	3.25
13	.8125-.1P-.2L-DS-2A	.480	12.19	.090	2.29	.812	20.62	1.030	26.16	.128	3.25
16	1.0000-.1P-.2L-DS-2A	.480	12.19	.090	2.29	.981	24.92	1.219	30.96	.128	3.25
17	1.0625-.1P-.2L-DS-2A	.480	12.19	.090	2.29	1.060	26.92	1.280	32.51	.128	3.25
19	1.1875-.1P-.2L-DS-2A	.480	12.19	.090	2.29	1.191	30.25	1.432	36.37	.128	3.25
21	1.3125-.1P-.2L-DS-2A	.480	12.19	.090	2.29	1.322	33.58	1.565	39.75	.128	3.25

Dimensions in Inches (millimeters) are subject to change without notice.



Mouser Electronics

Authorized Distributor

Click to View Pricing, Inventory, Delivery & Lifecycle Information:

[Glenair:](#)

[657-072NF6](#) [657-072M6](#) [657-072M10](#) [657-072M7](#)