

# SLIMSEAL CONNECTOR MINIATURE SERIES

TE Connectivity (TE) introduces the SlimSeal Connector Miniature Series. This IP67 rated connector can withstand the harshest of environments making it suitable for outdoor lighting and other high humidity applications. The SlimSeal Connector Miniature Series features a press-to-release spring latch ensuring that your connector mating is secure. This connector comes in three different colors enabling easy identification and assembly.



## Applications

- Outdoor lighting
- Commercial refrigeration lighting
- Kitchen appliances
- HVAC equipment

## Electrical

- Current rating:
  - 18 AWG: 5A Max.
  - 20 AWG - 22 AWG: 3.5A Max.
- Voltage rating: 400V AC Max.
- Dielectric Withstanding Voltage: 1800VAC

## Mechanical

- Operating Temperature: -40°C to +105°C
- Durability: 30 cycles

## Specifications

- Application Specification: [114-137093](#)
- Product Specification: [108-137093](#)
- UL1977 Approval: E28476

## Materials

- Housing: PA, UL 94 V-0
- Contact: Copper Alloy with Tin plating
- Seal: Rubber

## Key Benefits

- Compact size design for space saving
- Positive latching prevents inadvertent un-mating of connectors
- Pre-assembled seals reduce assembly time

## Colors


- Black
- Red
- White

### Product Selection Information

#### Plug and Receptacle Miniature Waterproof Connector

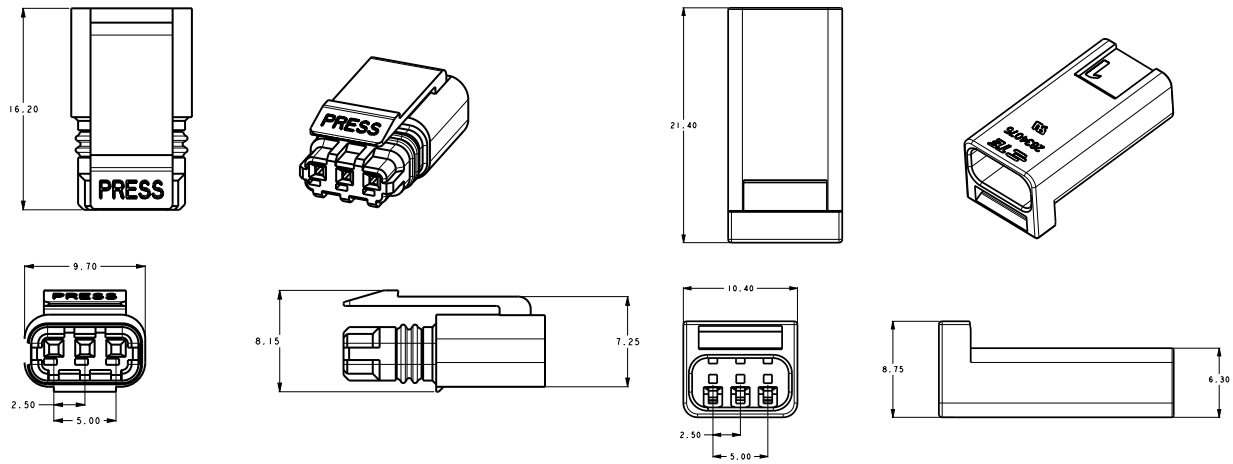
	Type	Description	Color	Part Number
	Plug	2 Position Miniature Waterproof Connector	White	<a href="#">1-2834074-2</a>
	Receptacle	2 Position Miniature Waterproof Connector	White	<a href="#">1-2834075-2</a>
	Plug	3 Position Miniature Waterproof Connector	White	<a href="#">1-2834074-3</a>
	Receptacle	3 Position Miniature Waterproof Connector	White	<a href="#">1-2834075-3</a>
	Plug	2 Position Miniature Waterproof Connector	Black	<a href="#">2-2834074-2</a>
	Receptacle	2 Position Miniature Waterproof Connector	Black	<a href="#">2-2834075-2</a>
	Plug	3 Position Miniature Waterproof Connector	Black	<a href="#">2-2834074-3</a>
	Receptacle	3 Position Miniature Waterproof Connector	Black	<a href="#">2-2834075-3</a>
	Plug	2 Position Miniature Waterproof Connector	Red	<a href="#">3-2834074-2</a>
	Receptacle	2 Position Miniature Waterproof Connector	Red	<a href="#">3-2834075-2</a>
	Plug	3 Position Miniature Waterproof Connector	Red	<a href="#">3-2834074-3</a>
	Receptacle	3 Position Miniature Waterproof Connector	Red	<a href="#">3-2834075-3</a>

#### Socket and Pin Contact Miniature Waterproof Connector

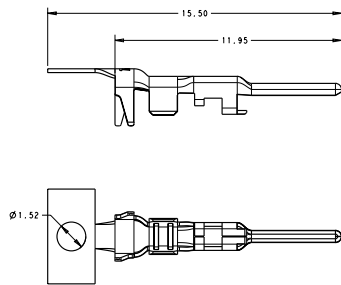
	Type (MOQs)	Description	Contact Plating	Part Number
	Socket Contact	Miniature Waterproof Connector	Tin	<a href="#">1-2834067-2</a>
	Socket Contact	Miniature Waterproof Connector	Tin	<a href="#">2-2834067-2</a>
	Socket Contact	Miniature Waterproof Connector	Gold	<a href="#">1-2834067-3</a>
	Socket Contact	Miniature Waterproof Connector	Gold	<a href="#">2-2834067-3</a>
	Pin Contact	Miniature Waterproof Connector	Tin	<a href="#">1-2834068-2</a>
	Pin Contact	Miniature Waterproof Connector	Tin	<a href="#">2-2834068-2</a>
	Pin Contact	Miniature Waterproof Connector	Gold	<a href="#">1-2834068-3</a>
	Pin Contact	Miniature Waterproof Connector	Gold	<a href="#">2-2834068-3</a>

## Dimensions

### Plug and Receptacle Miniature Waterproof Connector



### Socket and Pin Contact Miniature Waterproof Connector



te.com

© 2017 TE Connectivity Ltd. Family of Companies. All Rights Reserved. TE, TE Connectivity, and the TE connectivity (logo) are trademarks of the TE Connectivity Ltd. family of companies. Other logos, product and Company names mentioned herein may be trademarks of their respective owners.  
1-1773896-3 JN 3/2017

USA: +1 (800) 522-6752  
Canada: +1 (905) 475-6222  
Mexico: +52 (0) 55-1106-0800  
Latin/S. America: +54 (0) 11-4733-2200  
Germany: +49 (0) 6251-133-1999

UK: +44 (0) 800-267666  
France: +33 (0) 1-3420-8686  
The Netherlands: +31 (0) 73-6246-999  
China: +86 (0) 400-820-6015